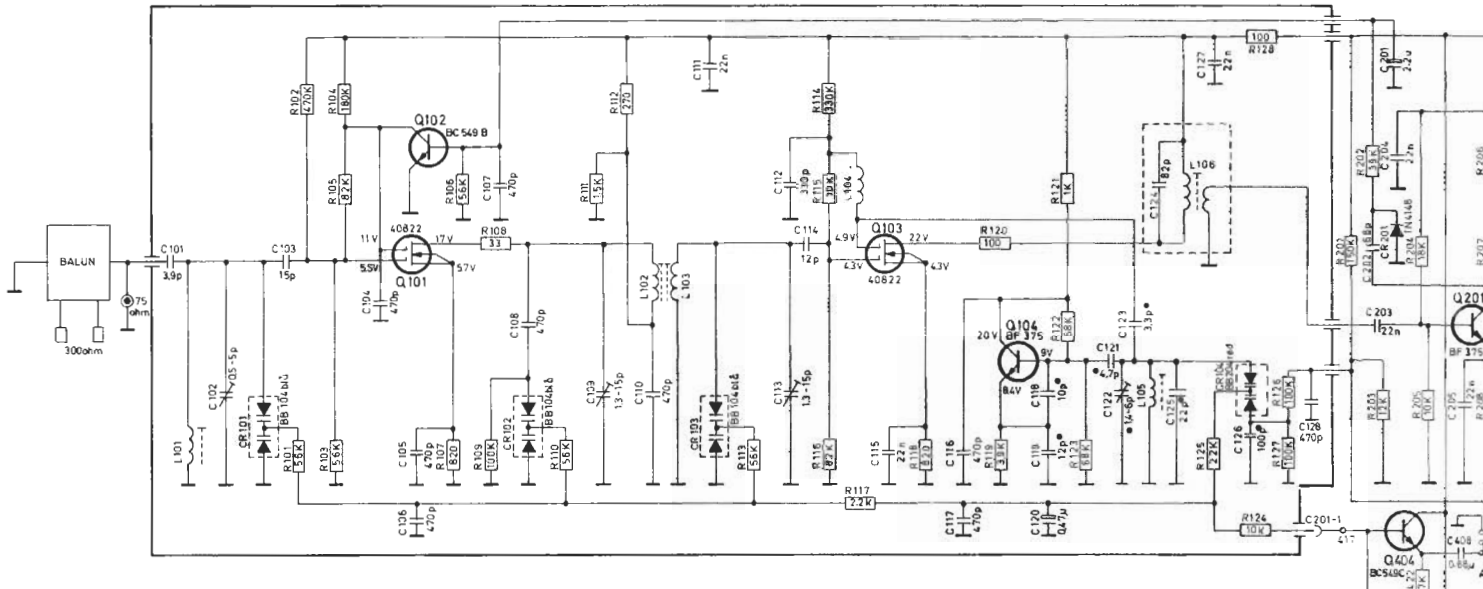


TANDBERG 

TR 220

Skjema fra serienr. 1732276



RESISTANCE VALUES ARE OHMS K=1000 M=1000000
 RESISTORS ARE 0.5 WATT OR LESS UNLESS OTHERWISE
 SPECIFIED. ALL SWITCHES ARE DRAWN IN UNOPERATED
 POSITION. CONDENSERS MARKED WITH A DOT HAVE
 A SPECIFIED TEMPERATURE COEFFICIENT.

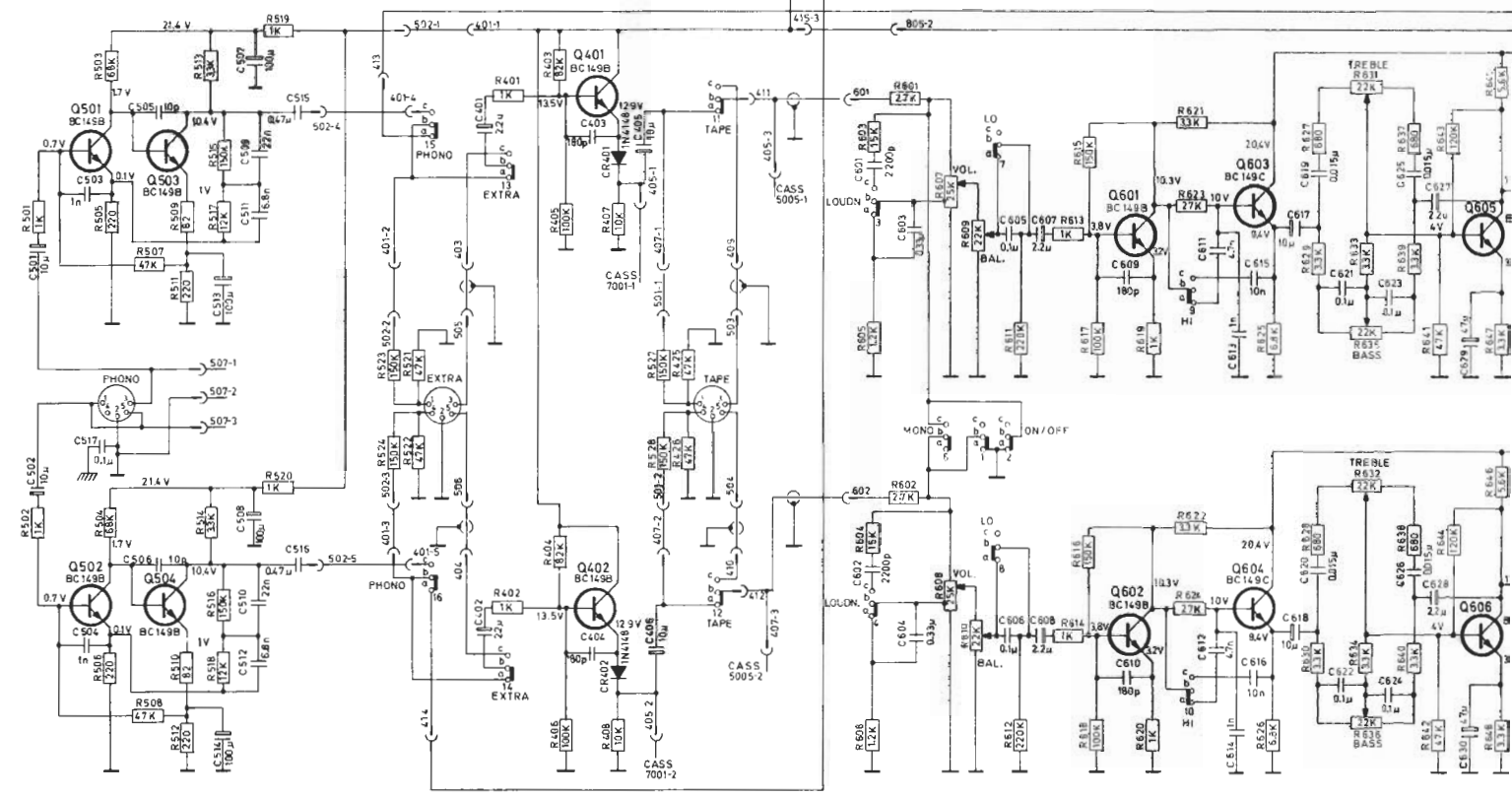
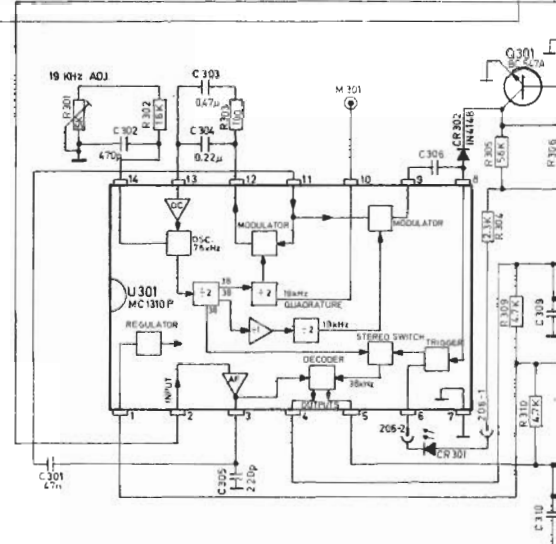
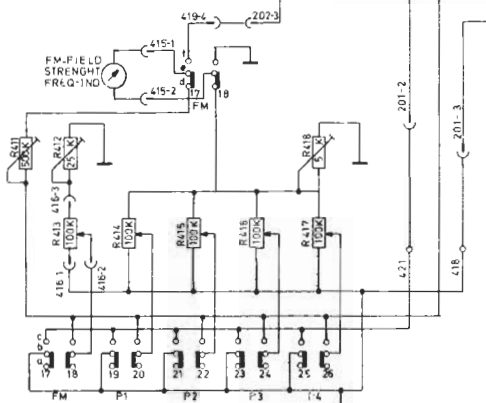
C 118 10pF N750
 C 119 12pF N470
 C 121 4.7pF N470
 C 122 1M-6pF N100
 C 123 3.3pF NP 0
 C 125 2.2pF N1500
 C 126 100pF N1500

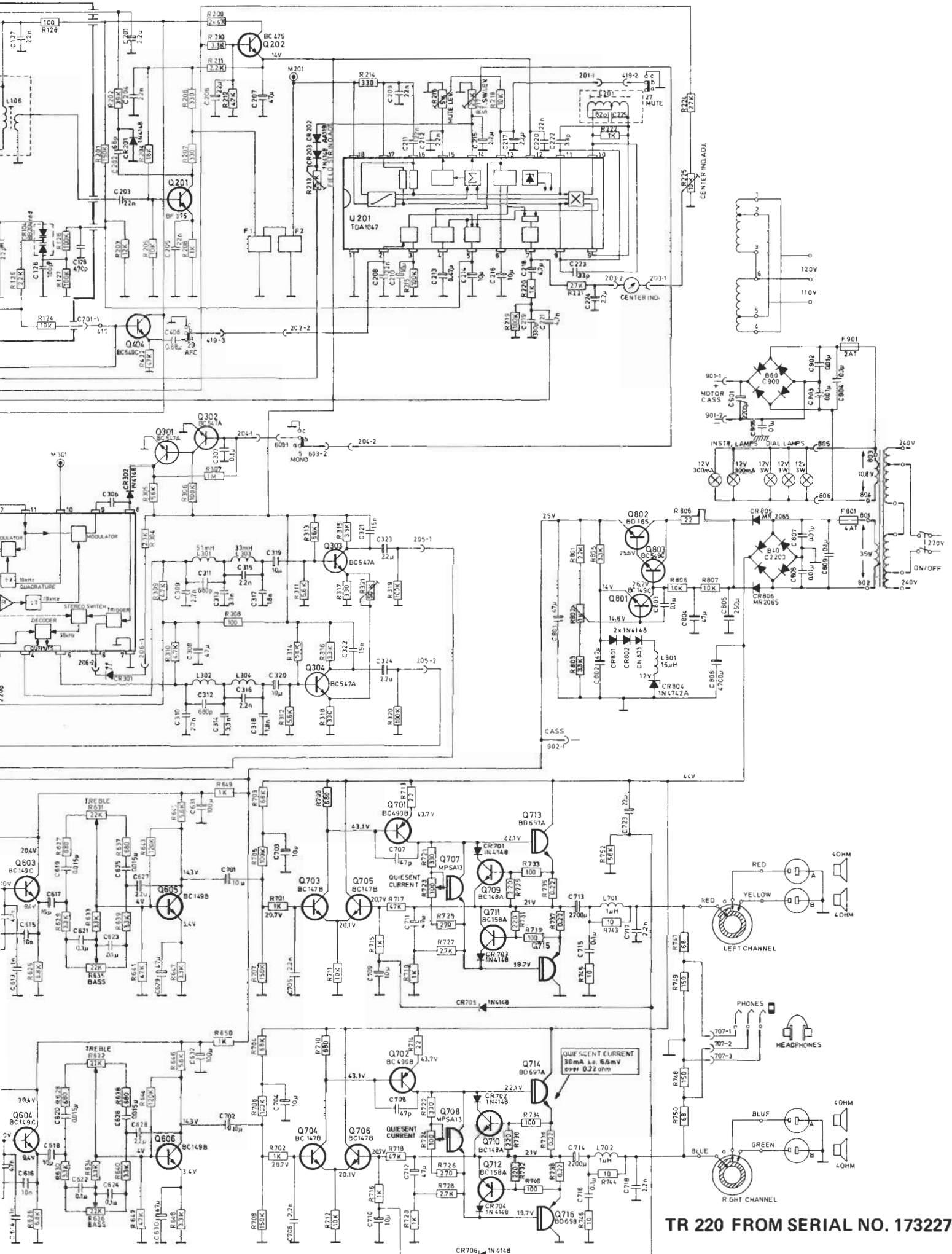
ALL SELECTORS ARE
 SHOWN IN UNOPERATED
 POSITION.

1 2 3 4 5 6 7 8 9 10
 ON/OFF LOUDN MONO LO HI

11 12 13 14 15 16 17 18
 TAPE EXTRA PHONO FM P1 P2 P3 P4 MUTE AFC

TANBERGS RADIOFABRIKK A/S
TR 220





TR 220 FROM SERIAL NO. 1732276

1589 - 12 - 77 Part No. 714068
 Printed in Norway by Tøyen-Trykk A/S