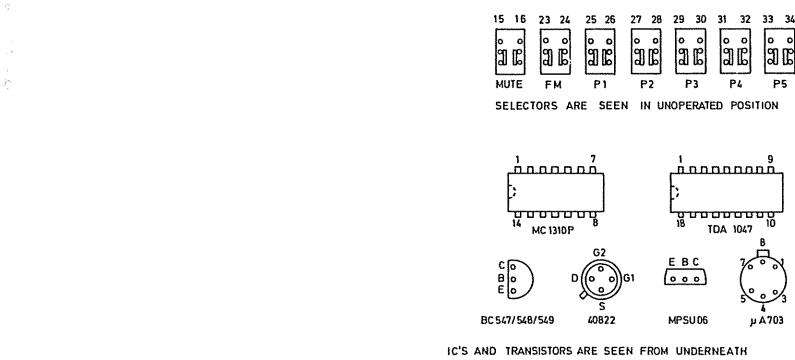
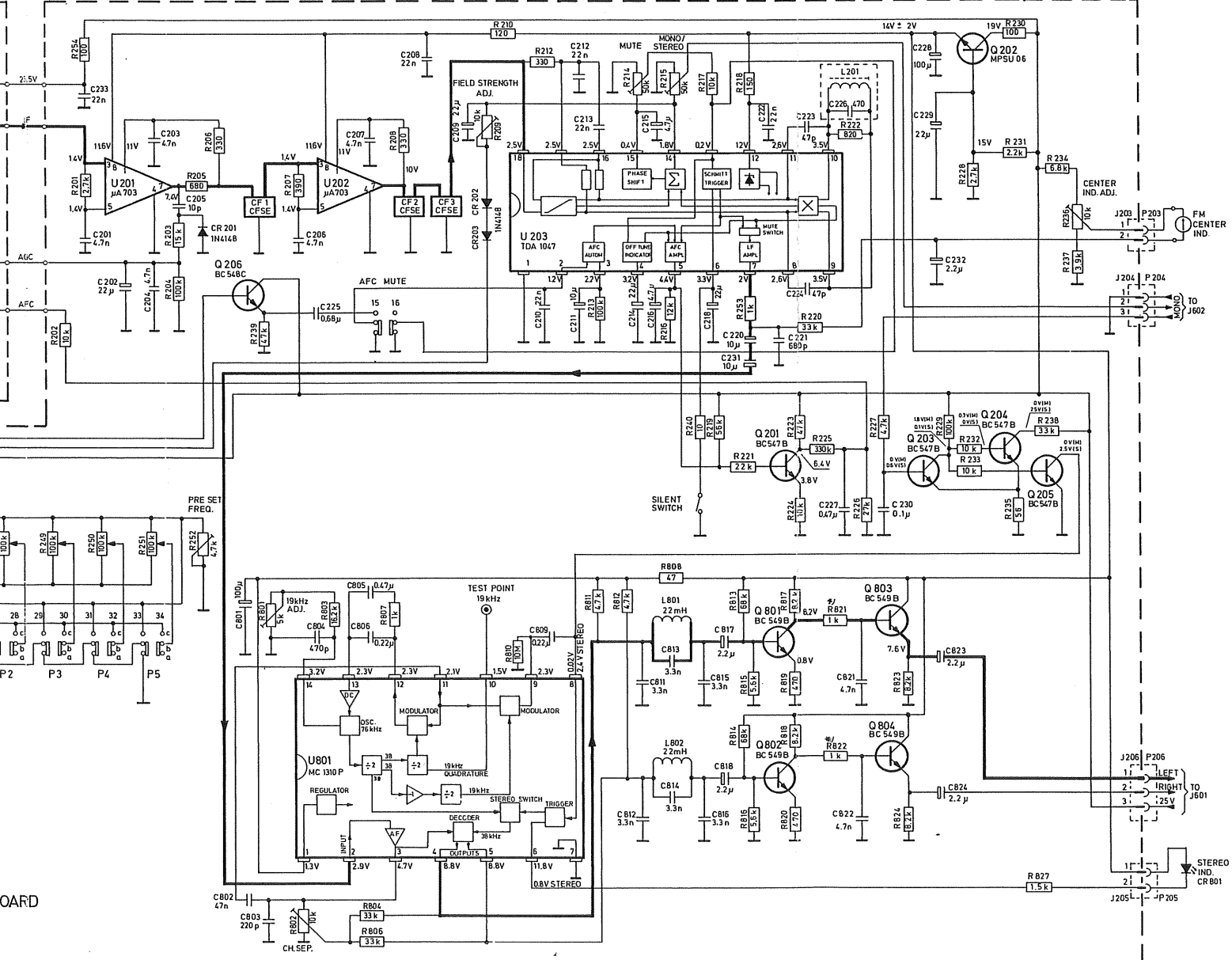
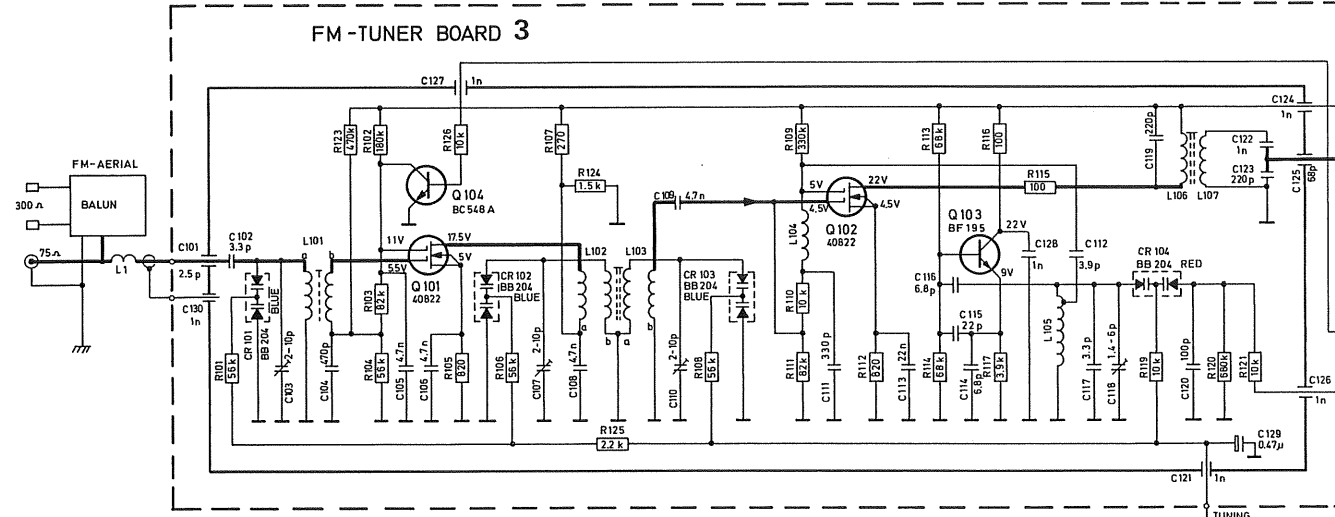
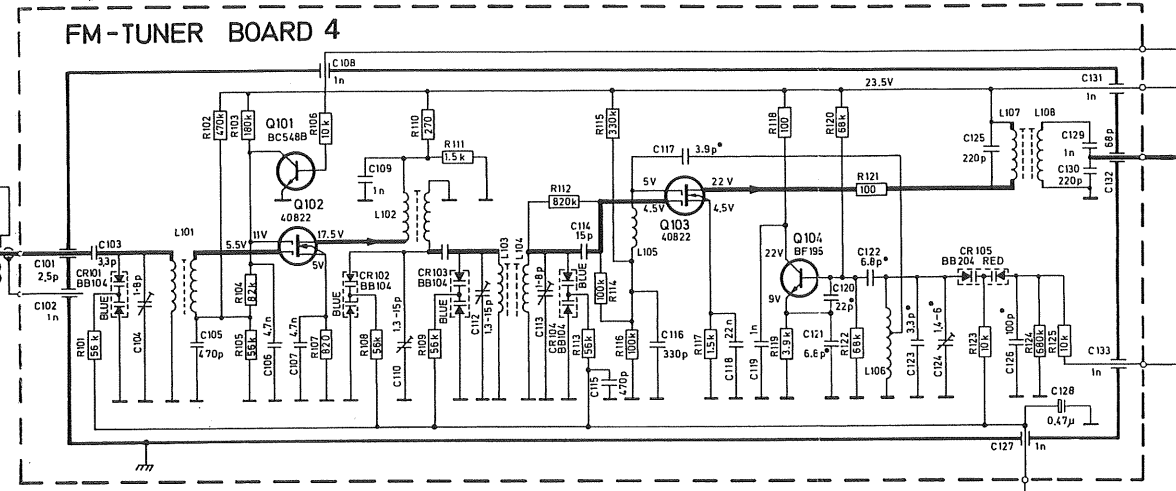


# TANDBERG

## TR 2040

### Circuit diagrams

B 13

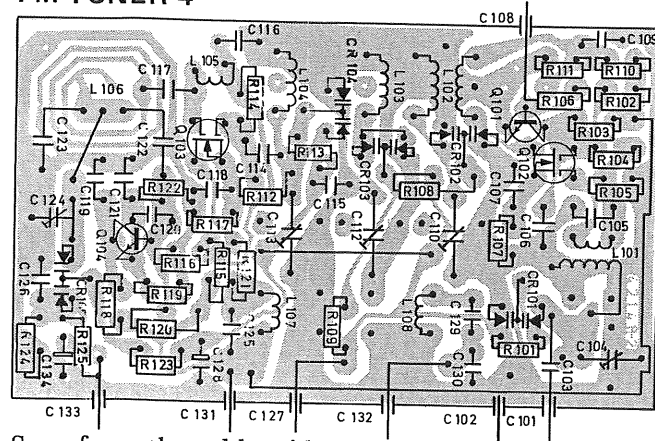


HF-SECTION NO. 42169

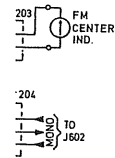
<sup>1/2</sup> R 821 AND R 822 ARE 56k IN US MODELS.



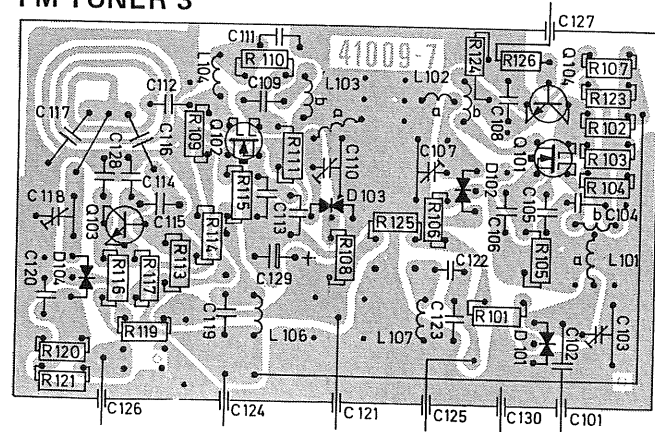
FM TUNER 4



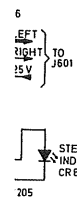
Seen from the solder side.



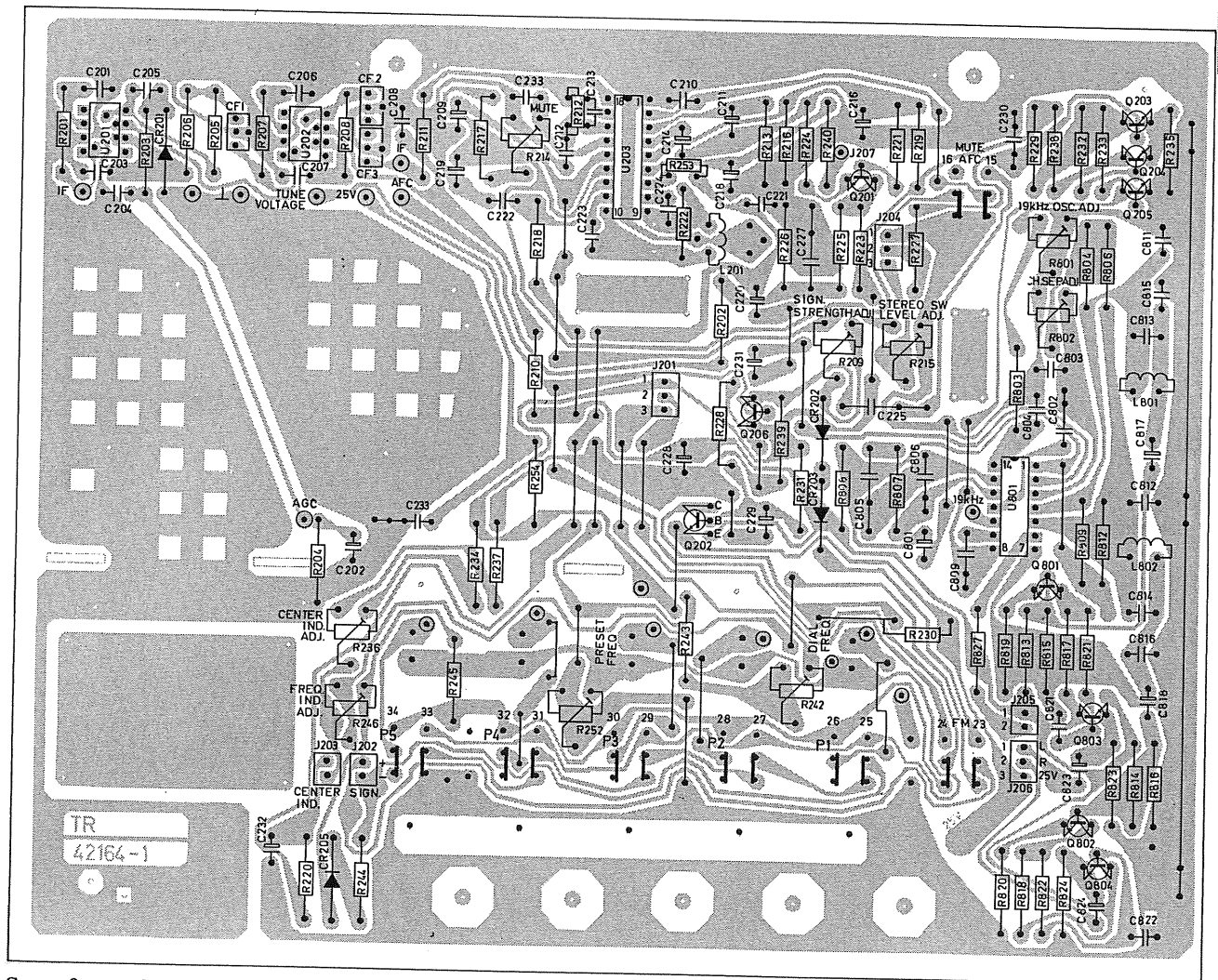
FM TUNER 3



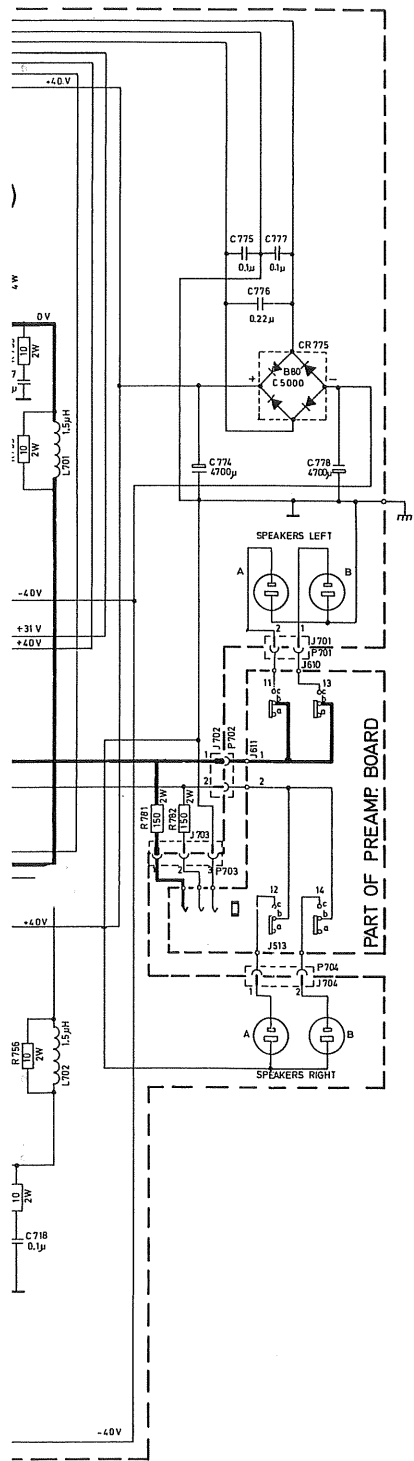
Seen from the solder side.



MF-IF/ DECODER

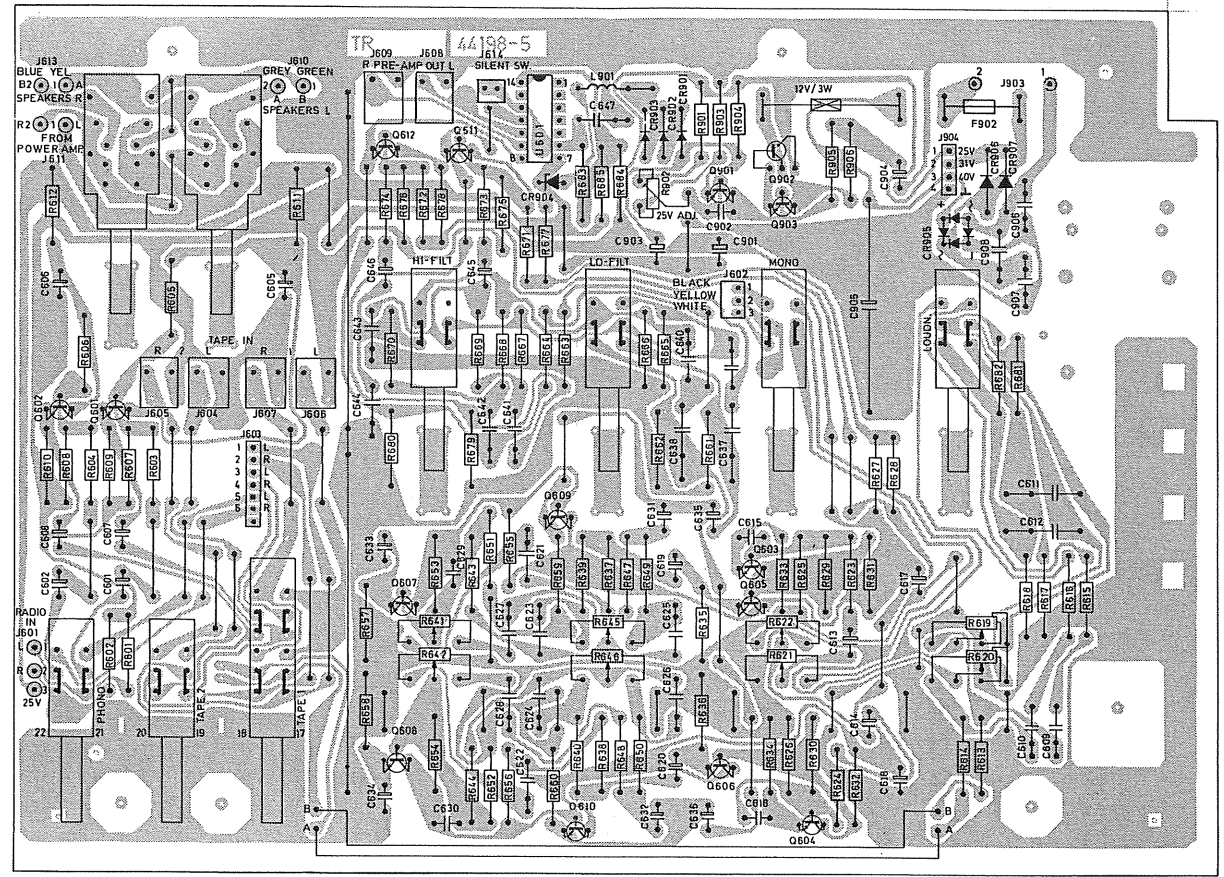


Seen from the solder side.



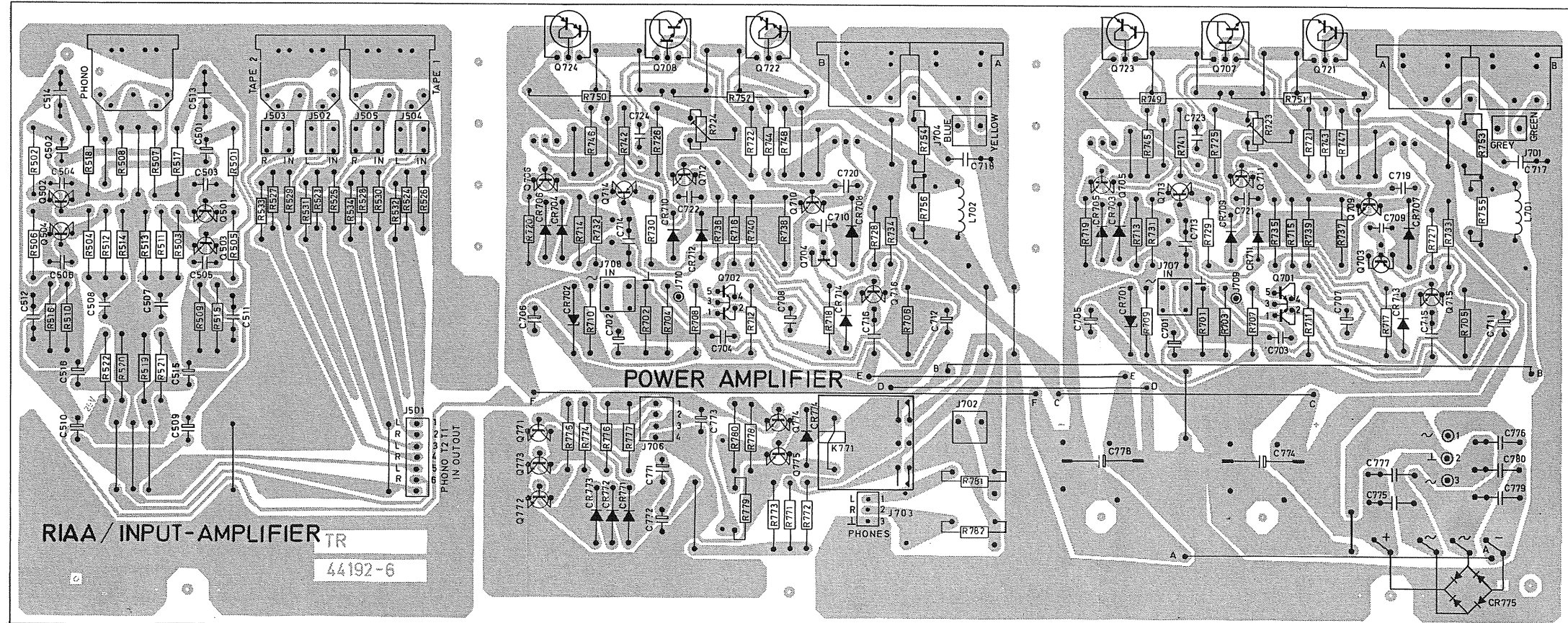
№ 42159

PREAMPLIFIER



Seen from the solder side.

RIAA/INPUT-AMPLIFIER, POWER AMPLIFIER



Seen from the solder side.