

# TANDBERG

## TR2030-TR2030L-TR2045-H12 Illustrated Parts List

### Bestilling av deler

Ved alle henvendelser, vennligst oppgi apparatets type og serienummer.  
Ved bestilling av deler, oppgi bestillingsnummer og beskrivelse.

### Bestillingsadresse

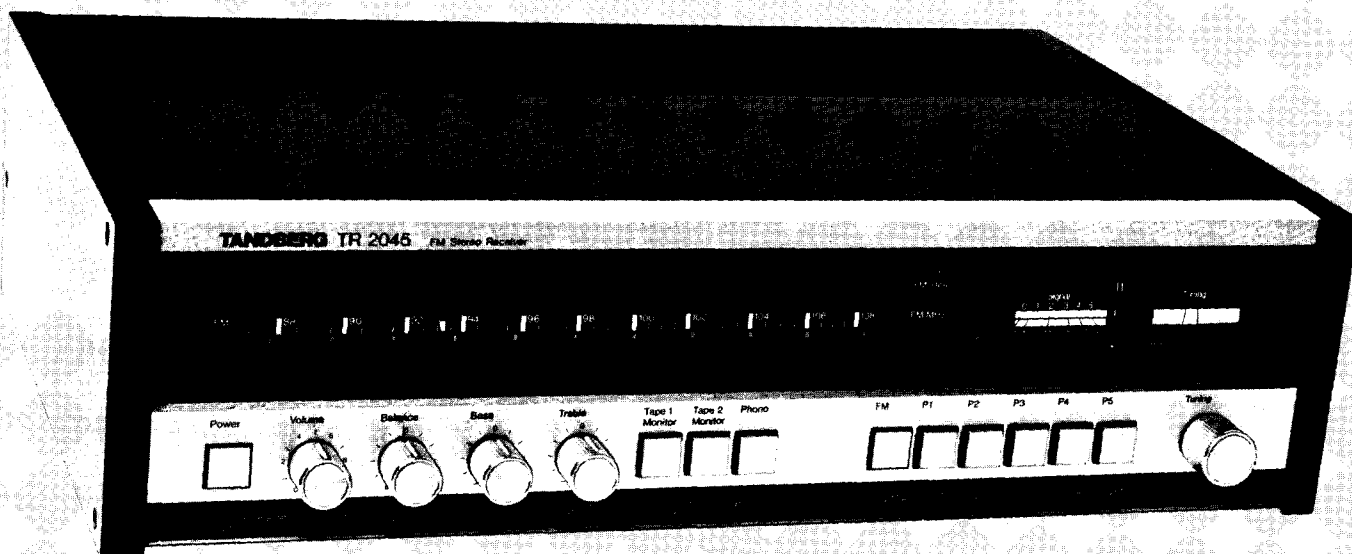
Kontakt nærmeste Tandberg/Radionette-kontor eller kontakt:  
Tandbergs Radiofabrikk A/S  
Sentral Delelager - Service  
Postboks 53  
N - 2007 KJELLER - Norge  
Tlf: (02) 71 68 20  
Telex: 18007 kurer n

### Ordering of spare parts

For all enquiries, please state the set's type and serial number.  
When ordering, give the part's order number and description.

### Address

Contact your nearest Tandberg/Radionette office or contact:  
Tandbergs Radiofabrikk A/S  
Spares Department  
P.O.Box 53  
N - 2007 KJELLER - Norway  
Tlf: (2) 71 68 20  
Telex: 18007 kurer n



Tandberg  
RADIO

Chassis assembly

SPECIFY THIS WHEN ORDERING				
Index	Ordering No.	Beskrivelse (marknader)	Description (notes)	Reference
1	* 372385	SJASSIS-ENHET	CHASSIS ASSEMBLY	
	374418	SKINNE	PLATE, FRONT	TR2030, TR2045
	373010	SKINNE	PLATE, FRONT	TR2030L
2	343622A	RAMME	PLATE, FRONT	H12MB
3	341589C	ARM	SURROUND, PUSH BUTTON, PLASTIC	
4	374914	KNAPP	ARM, PUSH BUTTON	
5	341941C	LAGER	BUTTON, PUSH	ON-OFF, PHONO, FM, ETC.
6	363047	KNAPP	BEARING, NYLON	
7	369755	KNAPP	KNOB	VOLUME, BALANCE, BASS, TREBLE
8	991605	KONTAKT	SOCKET, JACK, 3 POLE 1/4 IN.	TUNING
9	343270	ARM	BUTTON, PUSH, BLACK, PLASTIC	PHONES
10	349497	ARM	BUTTON, PUSH, BLACK, PLASTIC	LOUDNESS, MONO, LO-FILT, SPEAKERS, MUTE
11	330281	POTENSIOMETER	POTENTIOMETER, 100 K OHM	P1, P2, P3, ETC.
12	374066	LIST	MOULDING, FRONT, PLASTIC	TR2030, TR2030L, TR2045
	374691	LIST	MOULDING, FRONT, PLASTIC	H12MB
13	342408	SKINNE	PLATE, CHASSIS, SIDE	
14	346854	SKRUE	SCREW, 3.5 X 6.3 MM HEX HD, WITH COLLAR	
15	217280	MUTTER	NUT, 4 MM	
16	360410	PLATE	COVER, BOTTOM	TR2030, TR2030L, TR2045
	362090	PLATE	COVER, BOTTOM	H12MB
17	352421	FOT	FOOT, PLASTIC	
18	361796	LOKK	COVER, BLACK PLASTIC	
19	370352	SKINNE	PLATE, REAR	TR2030, TR2030L, TR2045
	370977	SKINNE	PLATE, REAR	H12MB
20	334326	KONTAKT	SOCKET, ANTENNA	EUROPEAN VERSION
	994238	KONTAKT	SOCKET, ANTENNA	U.S.A. VERSION
	312063	KONTAKT	SOCKET, ANTENNA	TR2030L
21	374677	ETIKETT	LABEL, TR2030L	TR2030L
	356523	ETIKETT	LABEL	H12MB
22	363909	HOLDER	HOLDER, FUSE	
23	272287	SIKRING	FUSE, 1 A, 5 X 20 MM, SLOW	TR2030, TR2030L, H12MB, 220 - 240 V
	272207	SIKRING	FUSE, 1.6 A, 5 X 20 MM, SLOW	TR2045, 220 - 240 V
	265736	SIKRING	FUSE, 2 A, 5 X 20 MM, SLOW	TR2030, H12MB, 120 V
	291151	SIKRING	FUSE, 3.15 A, 5 X 20 MM, SLOW	TR2045, 120 V
24	341467	BRACKET	BRACKET, HEATSINK	TR2030, TR2030L, H12MB
25	371817	TRANSISTOR	TRANSISTOR, BD809	
26	373498	TRANSISTOR	TRANSISTOR, BD810P	
27	335733B	SKIVE	BUSH, PLASTIC	
28	*	SKIVE	WASHER	
		(LEV. M/TRANSISTORER)	(SUPPLIED WITH TRANSISTORS)	
29	344412	SKIVE	WASHER, 3.2 MM	TR2030L
30	219162	MUTTER	NUT, 3 MM	
31	356883	SKINNE	HEATSINK	TR2045
32	360087	TRANSISTOR	TRANSISTOR, 2N6052	
33	361768	TRANSISTOR	TRANSISTOR, BD560B	
34	317243	VINKEL	BRACKET, ANGLE	
35	231878	SKIVE	WASHER, 3.2 MM	
36	352787	SKRUE	SCREW, 2.9 X 13 MM HEX HD, WITH COLLAR	
37	281454	TUBE	TUBE, CABLE, POWER	
38	357630	LEDNING	CABLE, POWER, WITH EUROPLUG	EUROPEAN VERSION
	346388	LEDNING	CABLE, POWER	U.S.A. VERSION
39	994234	KORT	BOARD, OUTPUT AMPLIFIER	
40	268832	KONTAKT	SOCKET, 5 PIN DIN 180 DEGREES	PHONO, TAPE 1, TAPE 2
41	373872	KONTAKT	TERMINAL-STRIP, SPRING LOADED, 4 WAY	SPEAKERS
42	344089	SKINNE	PLATE, CHASSIS	TR2030, TR2030L, TR2045
	340375	SKINNE	PLATE, CHASSIS	H12MB
43	355431	TRANSFORMATOR	TRANSFORMER	TR2030, TR2030L, H12MB
	355079	TRANSFORMATOR	TRANSFORMER	TR2030L ALTERNATIVE
	356912	TRANSFORMATOR	TRANSFORMER	TR2045
44	348442	BRACKET	BRACKET	TR2045, H12MB
45	289714	KLIPS	CLIP	TR2030, TR2030L
46	309901A	PLATE	BOARD	
47	352709	BRACKET	BRACKET, SUPPORT, BOARD	TR2030L, H12MB
48	994237	KORT	BOARD, FM-IF + DECODER	TR2030L, H12MB
49	993300	TUNER	TUNER, FM	TR2030, TR2030L, H12MB
	995848	TUNER	TUNER, FM	TR2030L, TR2045
50	994232	KORT	BOARD, FM-IF + DECODER	TR2030, TR2045
51	994245	KORT	BOARD, AM TUNER	TR2030L
	994249	KORT	BOARD, AM TUNER	H12MB
52	360467	HOLDER	PILLAR, CIRCUIT BOARD	
53	994241	KORT	BOARD, FM PRESET	TR2030, TR2045
	994246	KORT	BOARD, FM PRESET	TR2030L, H12MB
54	345217	KORT	BOARD, PRINTED CIRCUIT	H12MB
55	994233	KORT	BOARD, TONE CONTROL	
56	277509	HOLDER	HOLDER, FUSE	
57	310124	LAMPE	BULB, 12 V 3 W	
58	270526	SIKRING	FUSE, 800 MA, 5 X 20 MM, SLOW	
59	345798	VENDER	SWITCH, PUSH	ON-OFF
60	344951A	ARM	ARM, PUSH BUTTON	
61	370704	SKINNE	MOULDING, FRONT	TR2030
	372737	SKINNE	MOULDING, FRONT	TR2030L
	374102	SKINNE	MOULDING, FRONT	TR2045
	371329	SKINNE	MOULDING, FRONT	H12MB
62	309132	SKINNE	PLATE, TOP	TR2030, TR2030L, TR2045
	343112	SKINNE	PLATE, TOP	H12MB
63	347277	KABINETT	PANEL, ROSEWOOD	
	348958	KABINETT	PANEL, WALNUT	
	354698	KABINETT	PANEL, ASH, BLACK	TR2030, TR2030L, TR2045
	353017	KABINETT	PANEL, TEAK	
	346056	KABINETT	PANEL, ROSEWOOD	H12MB
	347737	KABINETT	PANEL, WALNUT	
	358592	KABINETT	PANEL, BLACK	
64	358937	SKRUE	SCREW, 4 X 20 MM CH HD, BLACK	

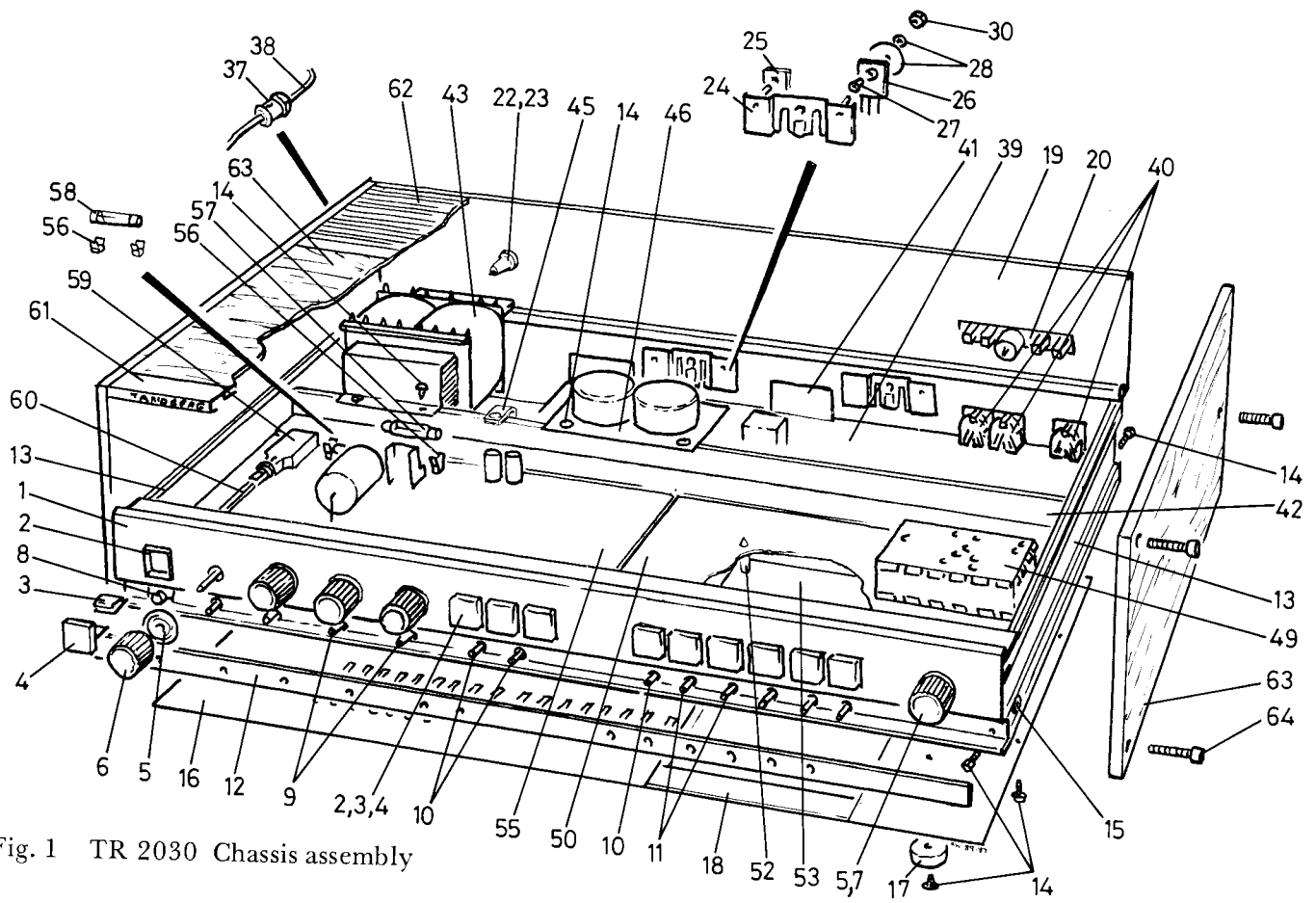


Fig. 1 TR 2030 Chassis assembly

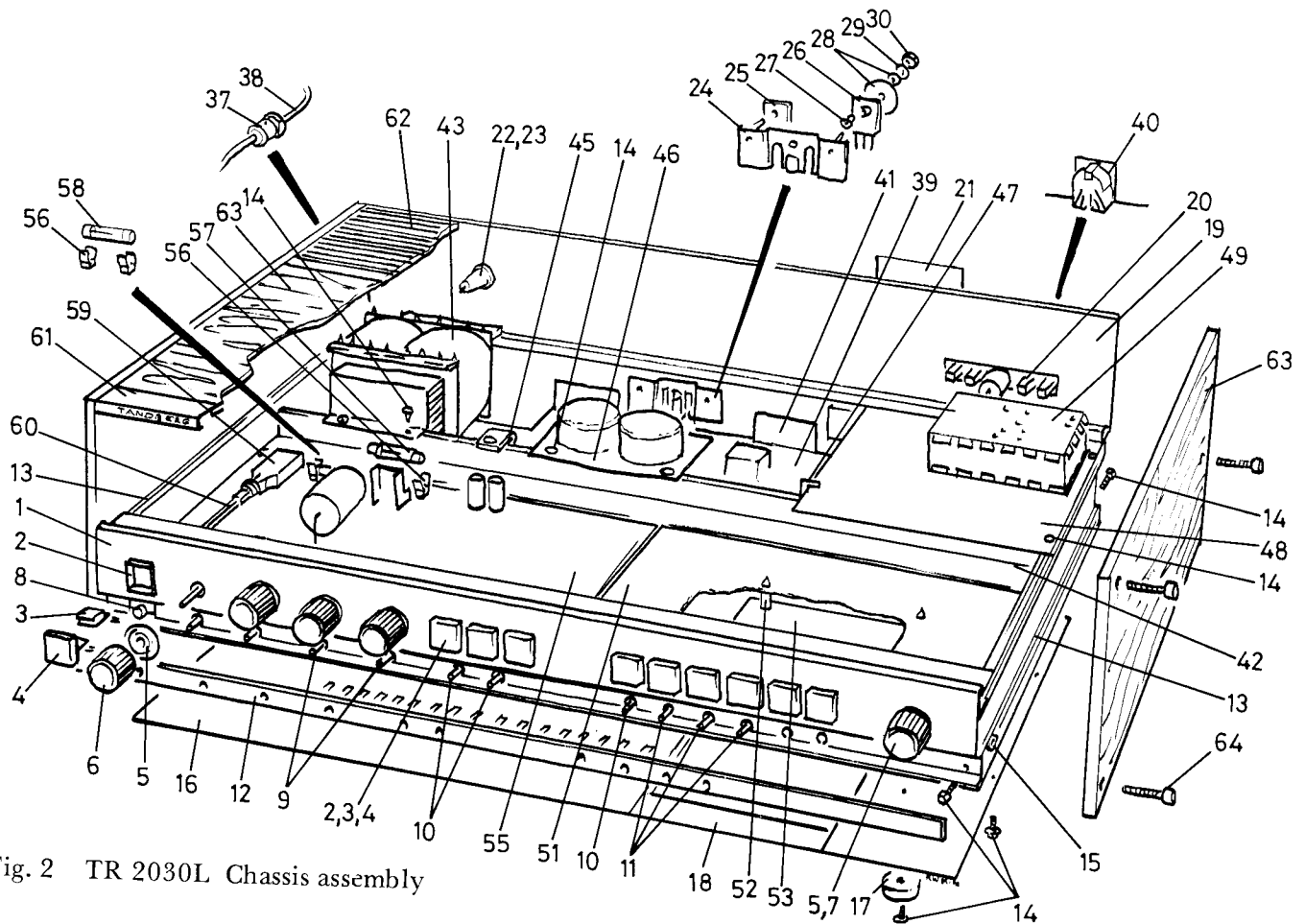


Fig. 2 TR 2030L Chassis assembly

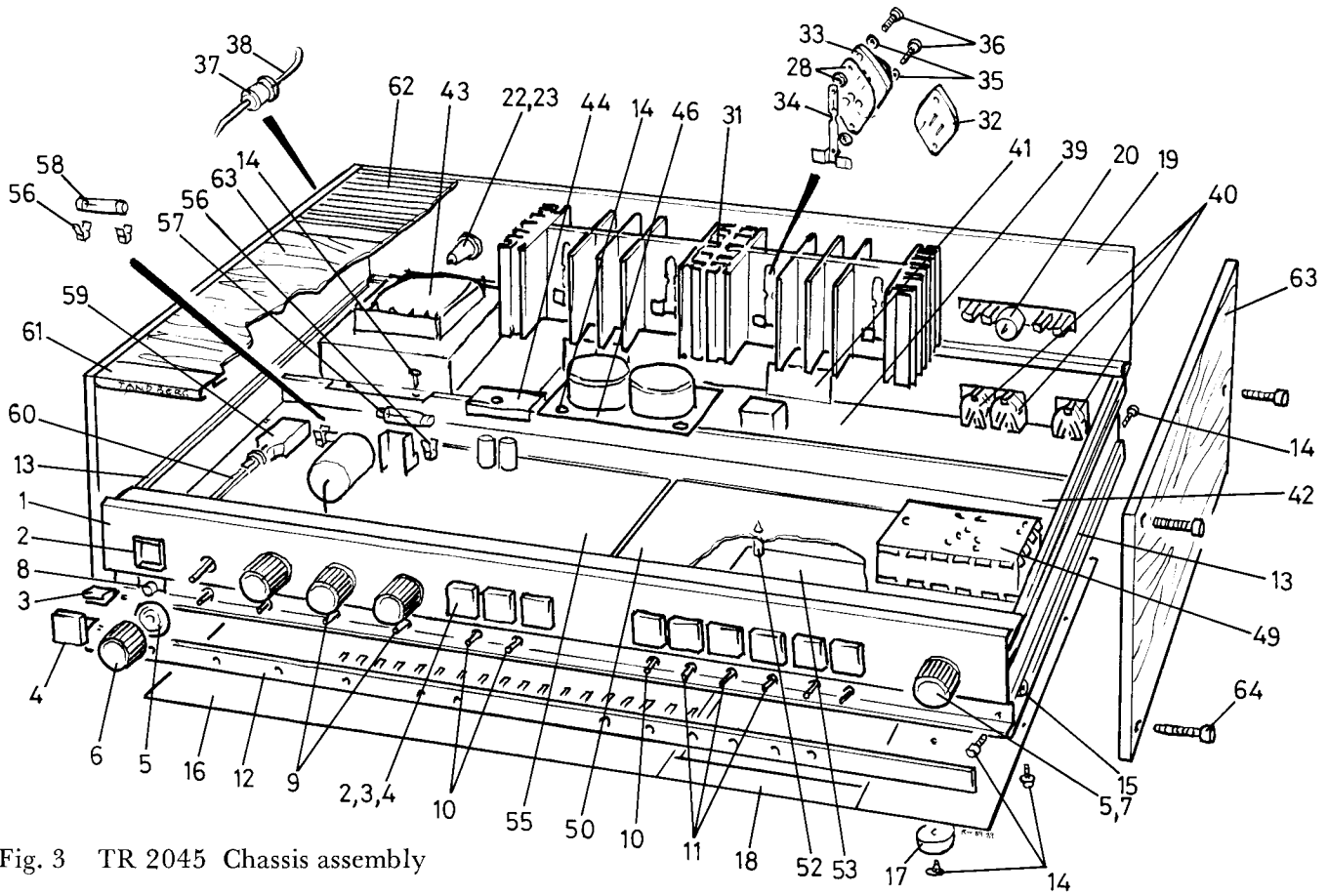


Fig. 3 TR 2045 Chassis assembly

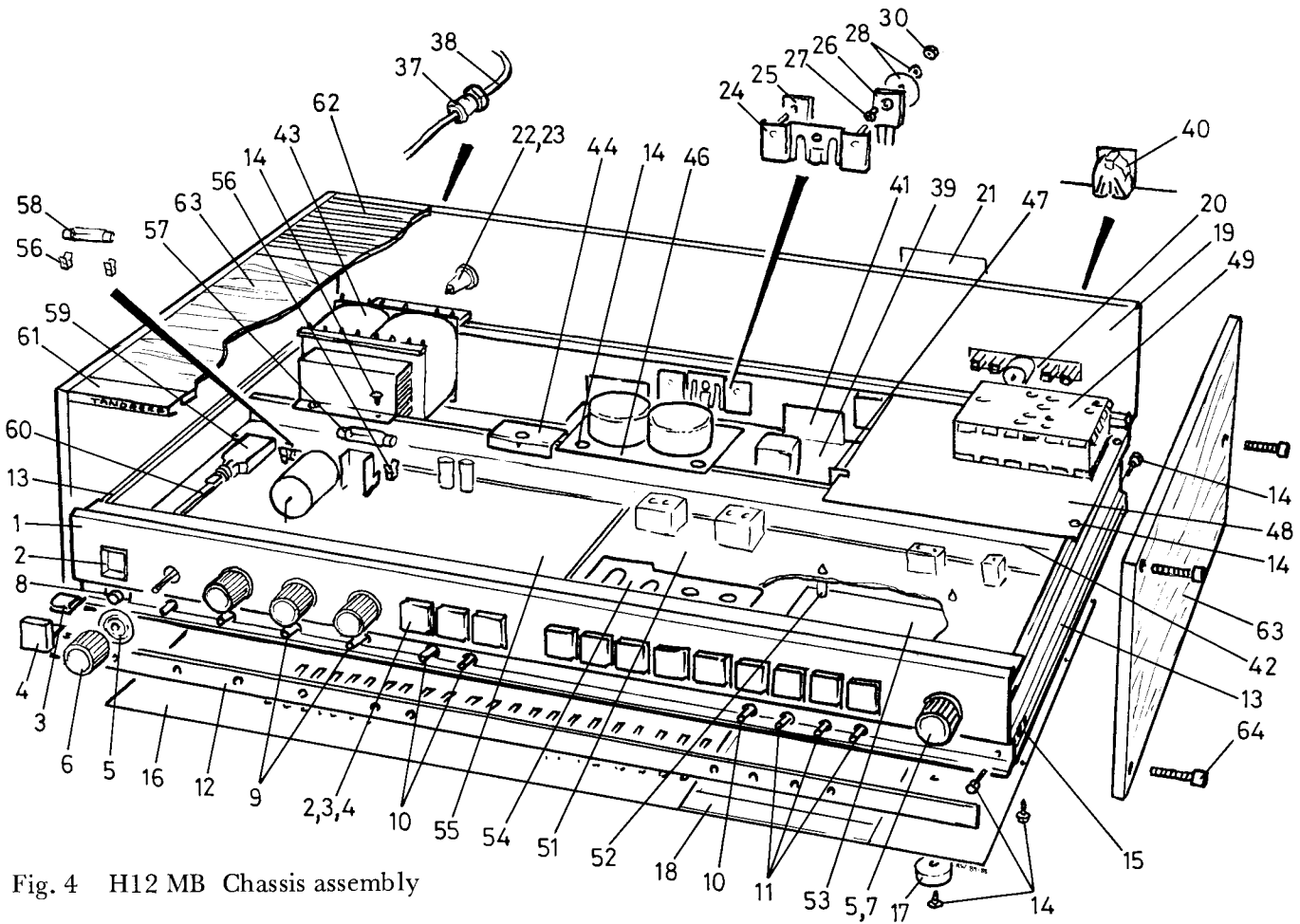


Fig. 4 H12 MB Chassis assembly

Dial assembly

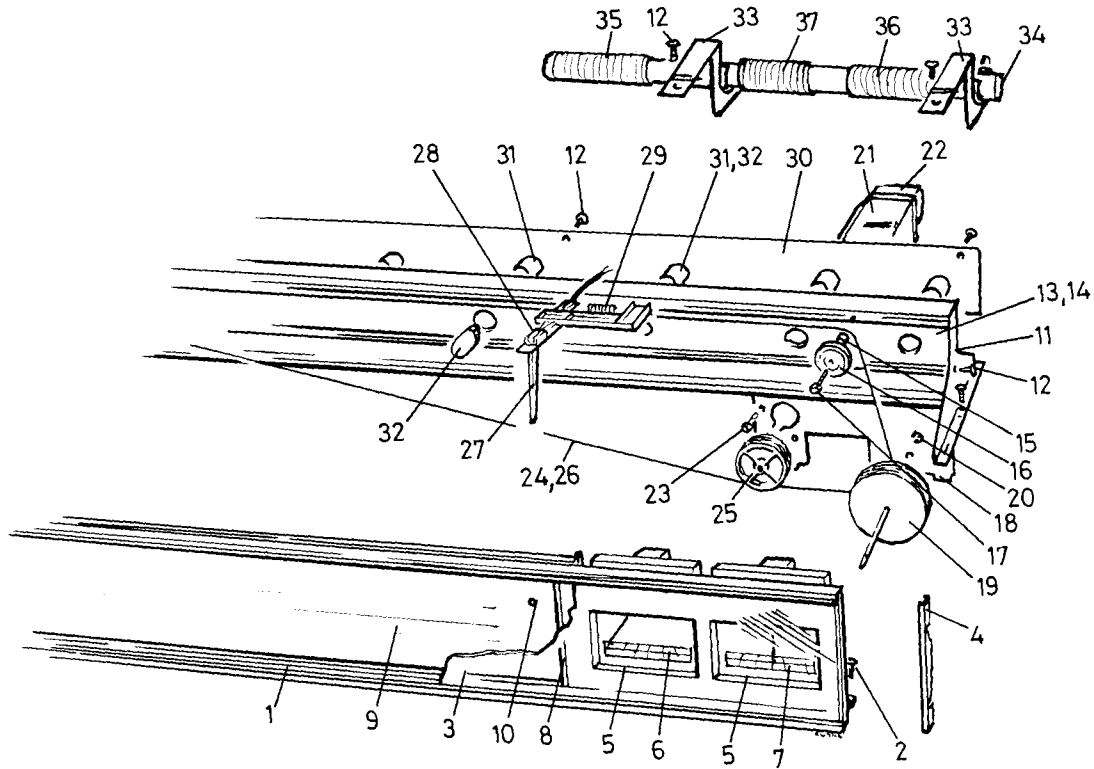


Fig. 5 Dial assembly

Index	SPECIFY THIS WHEN ORDERING		Description (notes)	Reference
	Ordering No.	Beskrivelse (merknader)		
1	*	SKALA-ENHET	DIAL ASSEMBLY	TR2030, TR2030L, TR2045
	344441	SKINNE	PLATE, DIAL	H12MB
	340727	SKINNE	PLATE, DIAL	
2	291194	SKRUE	SCREW, 0.5" NO. 6 FLANGE HD	
3	374224	PLATE	SHEET, PLASTIC	
4	341388	LIST	MOULDING, BLACK, PLASTIC	SIGNAL TUNING
5	305835	RAMME	SURROUND, METER, PLASTIC	
6	371523	INSTRUMENT	METER	
7	373556	INSTRUMENT	METER	TR2030, TR2045
8	344793	LIST	MOULDING, BLACK, PLASTIC	TR2030L
9	373908	PLATE	DIAL	H12MB
	370194	PLATE	DIAL	
	373204	PLATE	DIAL	
10	352665	DIODE	DIODE, LIGHT EMITTING, RED	
11	340411	BRAKETT	BRACKET, LIGHT BOX	
12	346854	SKRUE	SCREW, 3.5 X 6.3 MM HEX HD, WITH COLLAR	
13	994227	SKINNE (LEV. M/INDEX 14-17)	PLATE, LIGHT BOX, WITH PULLEYS (SUPPLIED WITH INDEX 14 TO 17 INCL.)	H12MB
	994226	SKINNE (LEV. M/INDEX 14-17)	PLATE, LIGHT BOX, WITH PULLEYS (SUPPLIED WITH INDEX 14 TO 17 INCL.)	
14	344599	SKINNE	PLATE, LIGHT BOX	TR2030, TR2030L, TR2045
	342997	SKINNE	PLATE, LIGHT BOX	H12MB
15	307868	HYLSE	BUSH	
16	287501	TRINSE	PULLEY, PLASTIC	
17	214961	SKRUE	SCREW, PLATE, 5/8" NO. 4 HEX HD	
18	343341	PLATE	PLATE, TUNING CAPACITOR, PLASTIC	
19	342444	DREV	FLYWHEEL	
20	230542	SKIVE	RING, CIRCLIP, 2.3 MM	TR2030, TR2045
21	840629	HUS	HOUSING	TR2030L
	840628	KONDENSATOR	CAPACITOR, VARIABLE	H12MB
	330496	KONDENSATOR	CAPACITOR, VARIABLE	
22	285785	POTENSIOMETER	POTENTIOMETER, 100 K OHM	TR2030, TR2030L, TR2045
23	277128	SKRUE	SCREW, 2.6 X 5 MM PAN HD	
24	994239	SNOR (LEV. M/INDEX 25, 26, 29)	CORD, DIAL (SUPPLIED WITH INDEX 25, 26 AND 29)	H12MB
	994230	SNOR (LEV. M/INDEX 25, 26, 29)	CORD, DIAL (SUPPLIED WITH INDEX 25, 26 AND 29)	
25	*	HJUL	WHEEL, CORD DRIVE, PLASTIC	TR2030, TR2030L, TR2045
26	*	SNOR	CORD	
27	994229	VISER (LEV. M/INDEX 28)	CURSOR (SUPPLIED WITH INDEX 28)	H12MB
	994228	VISER	CURSOR	
28	348714	LAMPE	BULB, 7 V 60 MA	TR2030, TR2030L, TR2045
29	204112	FJAR	SPRING	
30	994231	KORT (LEV. M/INDEX 31, 32)	BOARD, LIGHT BOX (SUPPLIED WITH INDEX 31 AND 32)	H12MB
	994235	KORT (LEV. M/INDEX 31, 32)	BOARD, LIGHT BOX (SUPPLIED WITH INDEX 31 AND 32)	
31	339125	HOLDER	HOLDER, BULB	
32	339599	LAMPE	BULB, 7 V 300 MA	
33	364332	BRAKETT	BRACKET	TR2030L
34	358938	KJERNE	ROD, FERRITE	
35	980343	SPOLE	COIL	
36	980344	SPOLE	COIL	
37	980345	SPOLE	COIL	

# Connectors and switches

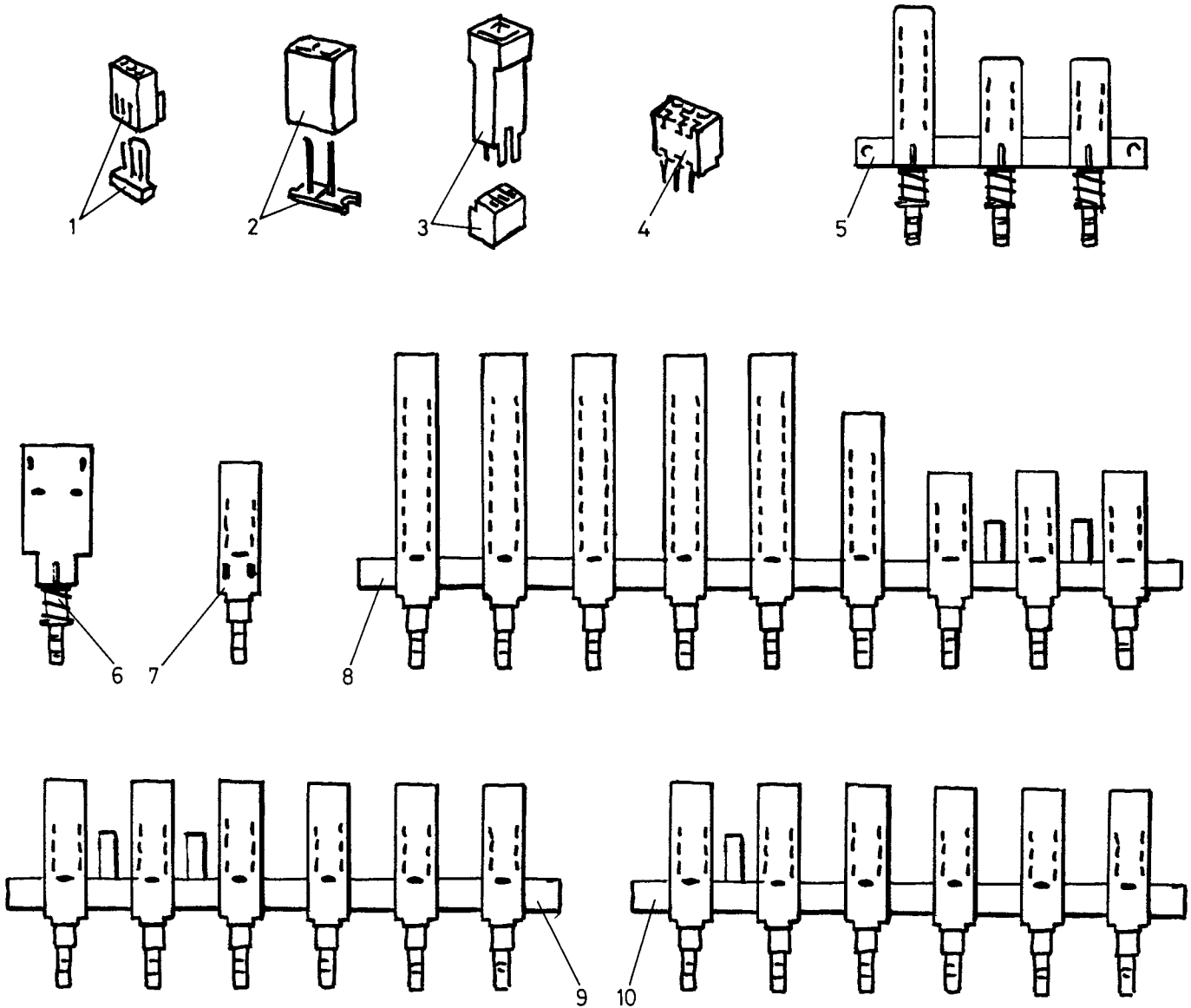


Fig. 6 Connectors and switches

SPECIFY THIS WHEN ORDERING						
Index	Ordering No.	Beskrivelse (merknader)	Description (notes)	Reference		
1	*	KONTAKTER	CONNECTORS			
	995818	KONTAKT	CONNECTOR, 2 POLE, SMALL			
	995819	KONTAKT	CONNECTOR, 3 POLE, SMALL			
	995820	KONTAKT	CONNECTOR, 4 POLE, SMALL			
	995823	KONTAKT	CONNECTOR, 7 POLE, SMALL			
2	995824	KONTAKT	CONNECTOR, 2 POLE, LARGE	TAPE 1, TAPE 2, PHONO ON-OFF SPEAKERS MONO, LO-FILT, ETC. H12MB TR2030 TR2030L, TR2045		
	3	995827	KONTAKT		CONNECTOR, 2 POLE, BLACK	
4	318320	KONTAKT	CONNECTOR, FIXED, 3 POLE			
5	*	VENDERE	SWITCHES			
	346502	VENDER	SWITCH, PUSH			
	345798	VENDER	SWITCH, PUSH			
	347479	VENDER	SWITCH, PUSH			
	354131	VENDER	SWITCH, PUSH			
	8	348183	VENDER			SWITCH, PUSH
	9	349512	VENDER			SWITCH, PUSH
	10	362715	VENDER	SWITCH, PUSH		

