

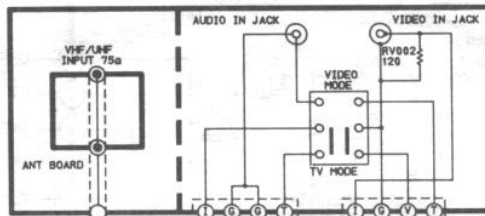
SCHEMATIC DIAGRAM

CHASSIS NO. : P-50XD.X

8104-180-090

FILE NAME : CB34827

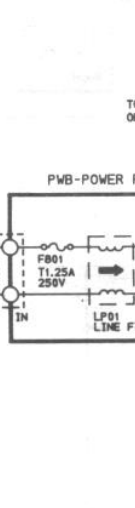
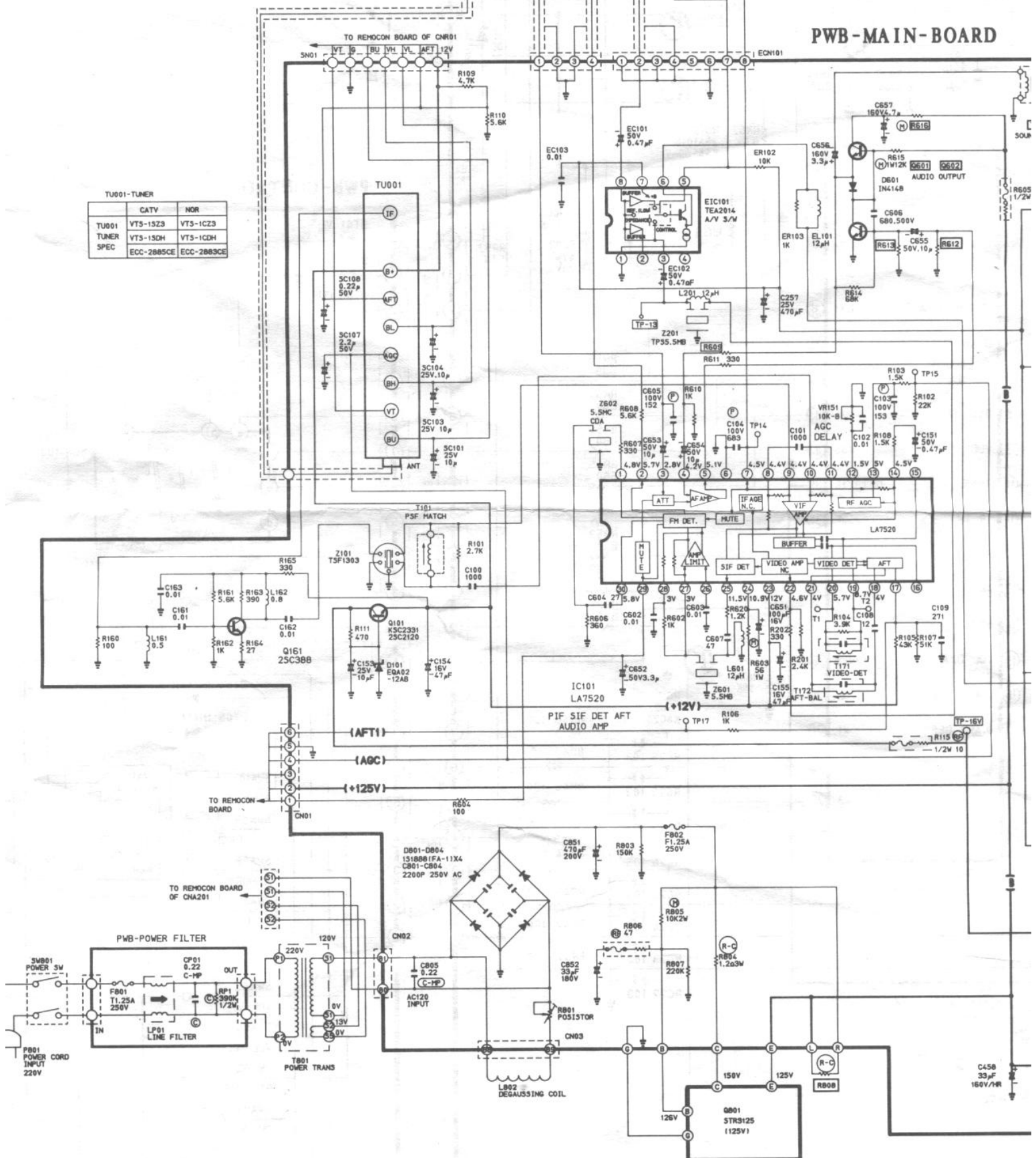
ANT-TERMINAL BOARD



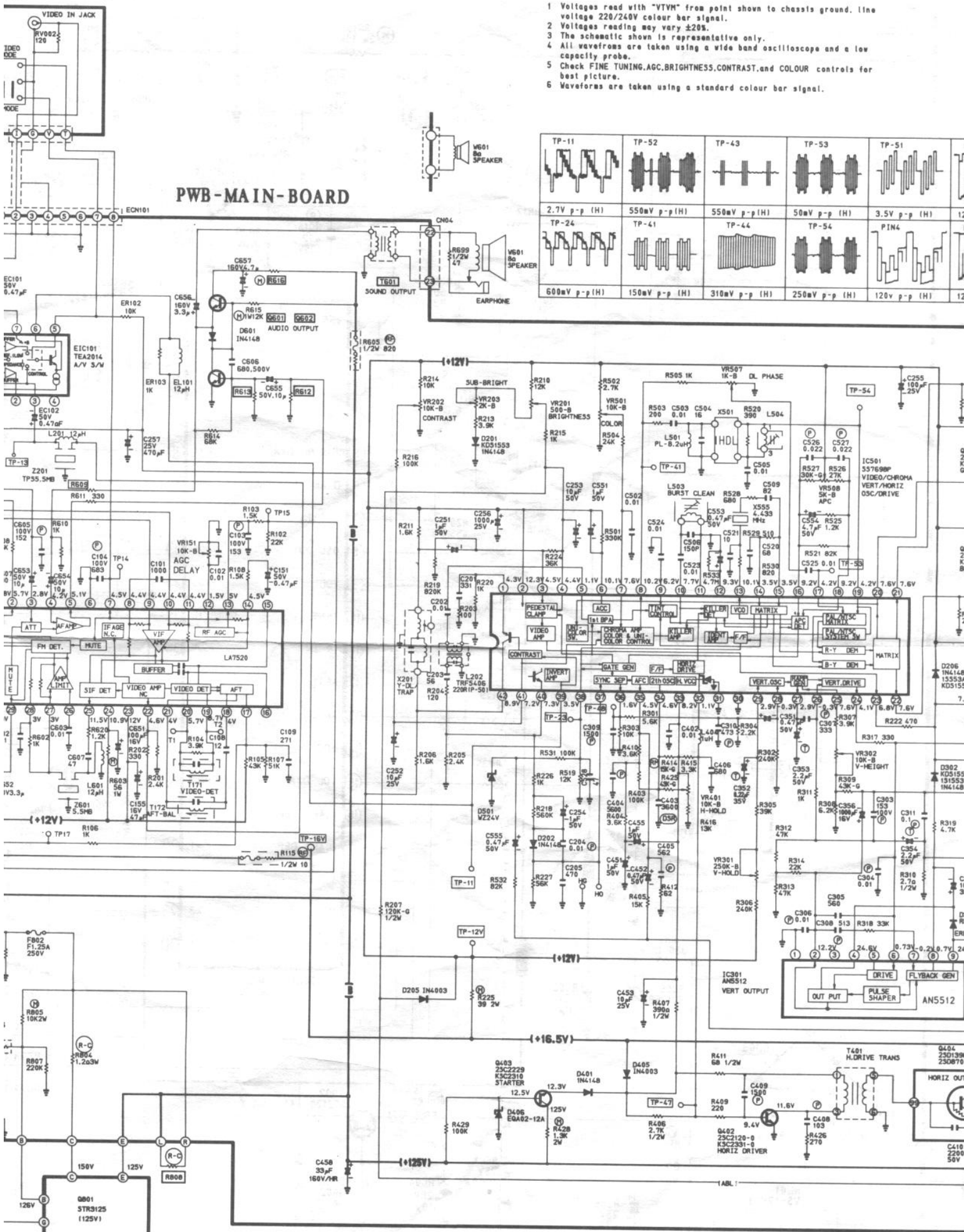
PWB-MAIN-BOARD

TU001-TUNER

TU001	CATV	NOR
TU001	VT5-15Z3	VT5-1C23
TUNER	VT5-15DH	VT5-1CDH
SPEC	ECC-2B85CE	ECC-2B83CE



- 1 Voltages read with "VTVM" from point shown to chassis ground, line voltage 220/240V colour bar signal.
- 2 Voltages reading may vary $\pm 20\%$.
- 3 The schematic shown is representative only.
- 4 All waveforms are taken using a wide band oscilloscope and a low capacity probe.
- 5 Check FINE TUNING, AGC, BRIGHTNESS, CONTRAST, and COLOUR controls for best picture.
- 6 Waveforms are taken using a standard colour bar signal.



TP-11	TP-52	TP-43	TP-53	TP-51
2.7V p-p (H)	550mV p-p (H)	550mV p-p (H)	50mV p-p (H)	3.5V p-p (H)
TP-24	TP-41	TP-44	TP-54	PIN4
600mV p-p (H)	150mV p-p (H)	310mV p-p (H)	250mV p-p (H)	120V p-p (H)

(TAB.1)

WAVEFORMS

1 point shown to chassis ground. Line signal.
 2. sensitive only.
 a wide band oscilloscope and a low
 355.CONTRAST.and COLOUR controls for
 standard colour bar signal.

EXPRESSION

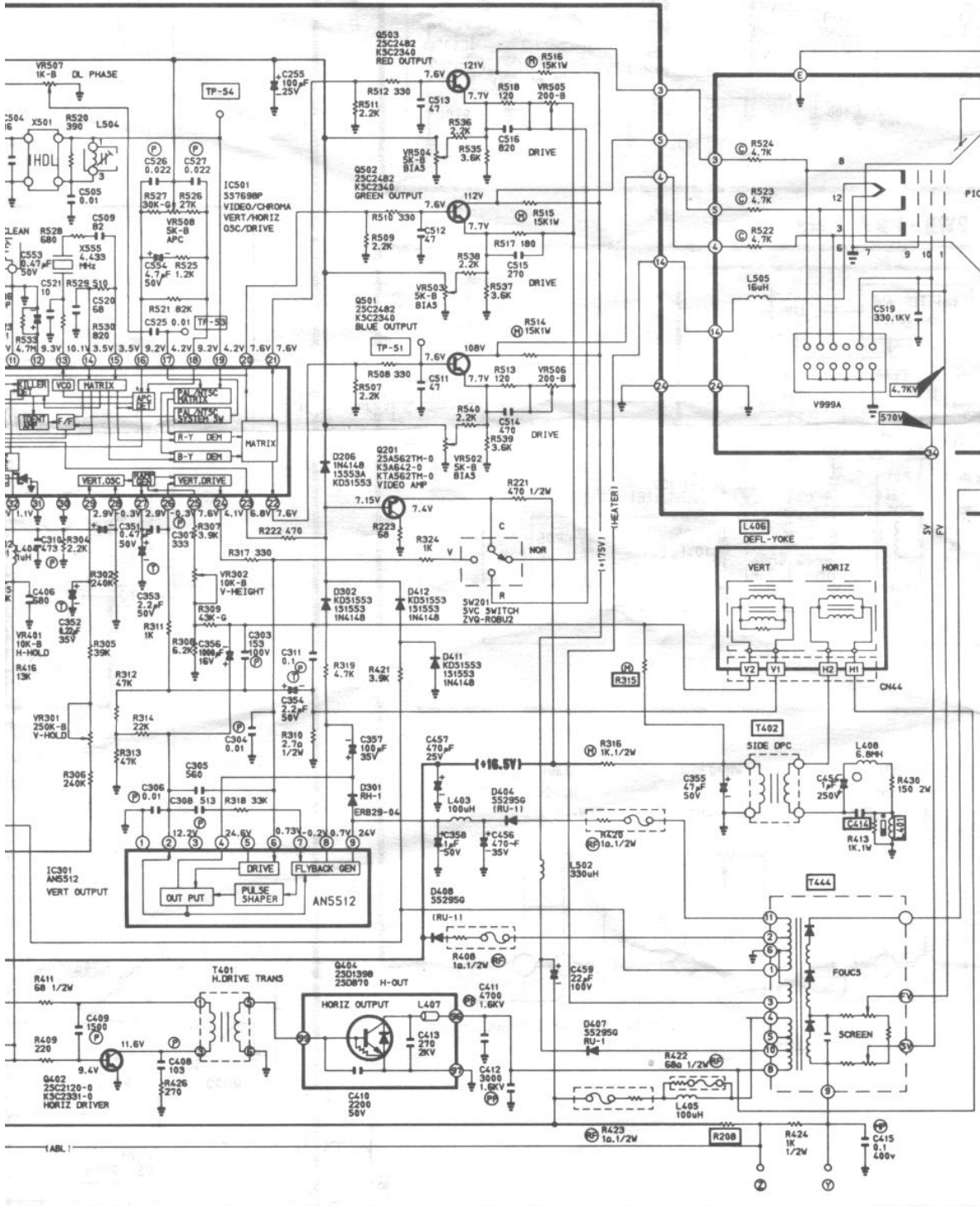
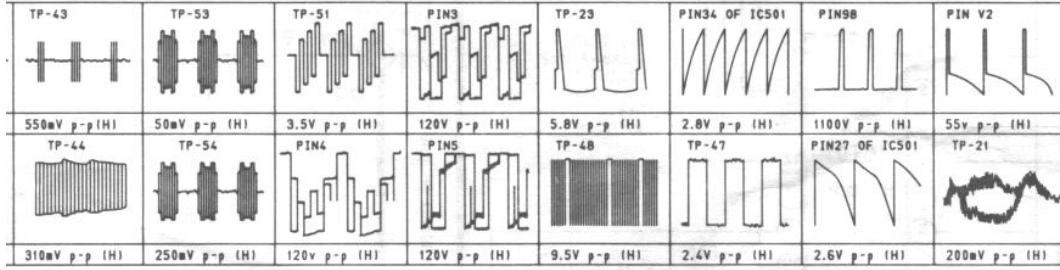
- 1 Resistance is shown ohm K-1,000 M-1,000,000.
- 2 Unless otherwise noted in schematic all capacitor values less than 1 are expressed in pfd,the values more than 1 in pF.
- 3 Unless otherwise noted in schematic all inductor values are expressed in uH.and the values less than 1 in mH.

NOTE

The circuits are subject to change without notice to improve the picture quality.

RESISTOR	
TYPE	MARK
Carbon Composition	C
Oxide Metal Film	M
Metal Film	RM
Cement	R-C
Variable Resistor	
Positive Resistor	

CAPACITOR	
TYPE	MARK
Ceramic	No Mark
Polyester	P
Tantalum	T
Metal Polyester	MP
Polypropylene	P.P
Polyester Polypro	DSR
Chemical Electrolytic	
Chemical Non-Polar	



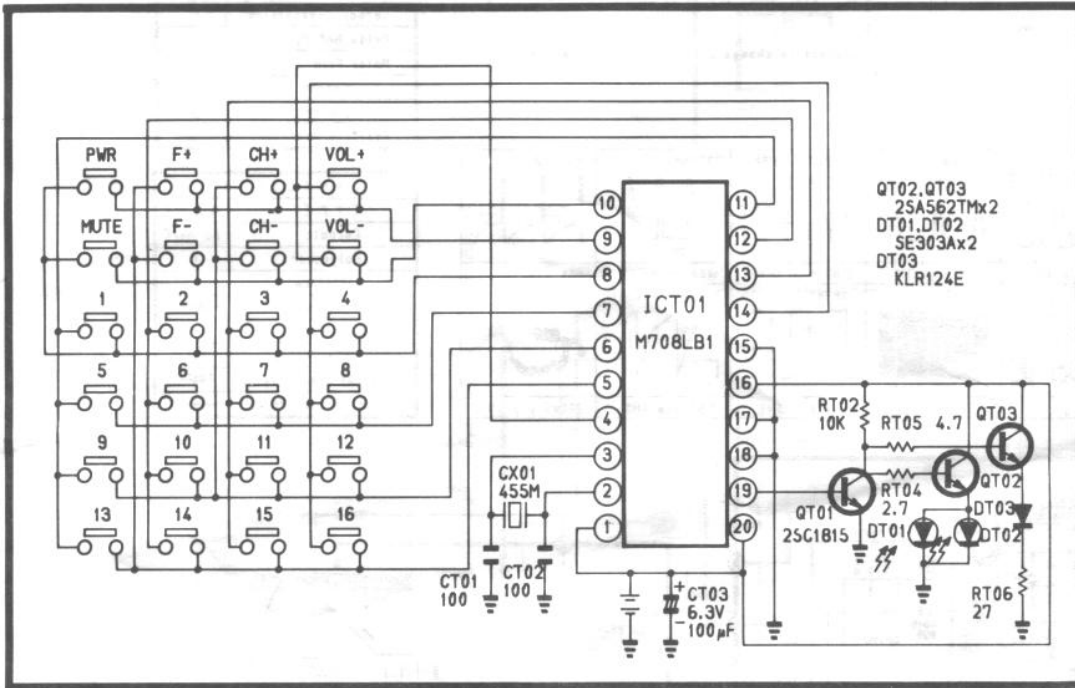
	14"	20"
R609	150K	220K
R612	2.7K	3.9K
R613	1K	1.5K
R616	150 1W	22 1W
Q601	25C2230A-Y	K5C1507-0
Q602	25C2230A-Y	K5C1507-0
T601	1.1K:1BR	500:4R BR
R808	300Ω.28W	250Ω.20W
R208	127K-F.1/2W	110K-F.1/2W
R315	240 1W	430 1W
C414	0.47.200V	0.43.400V
	80.56.200V	80.43.400V
L401	157μH	195μH
L406	D101492H	D1E-19920L
T402	K-20-14	K-10-19
T444	FC9-1445EL	FC9-2045BL
V999	3701B22.4201B22	5106B22.5106B22
	BA37-573X	BA51-578X

SCHEMATIC DIAGRAM-REMOCON RM-097

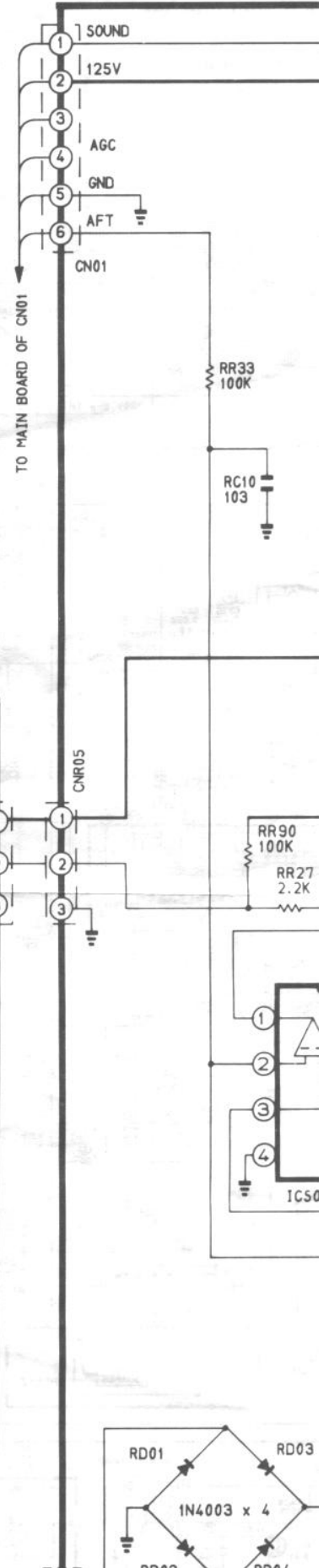
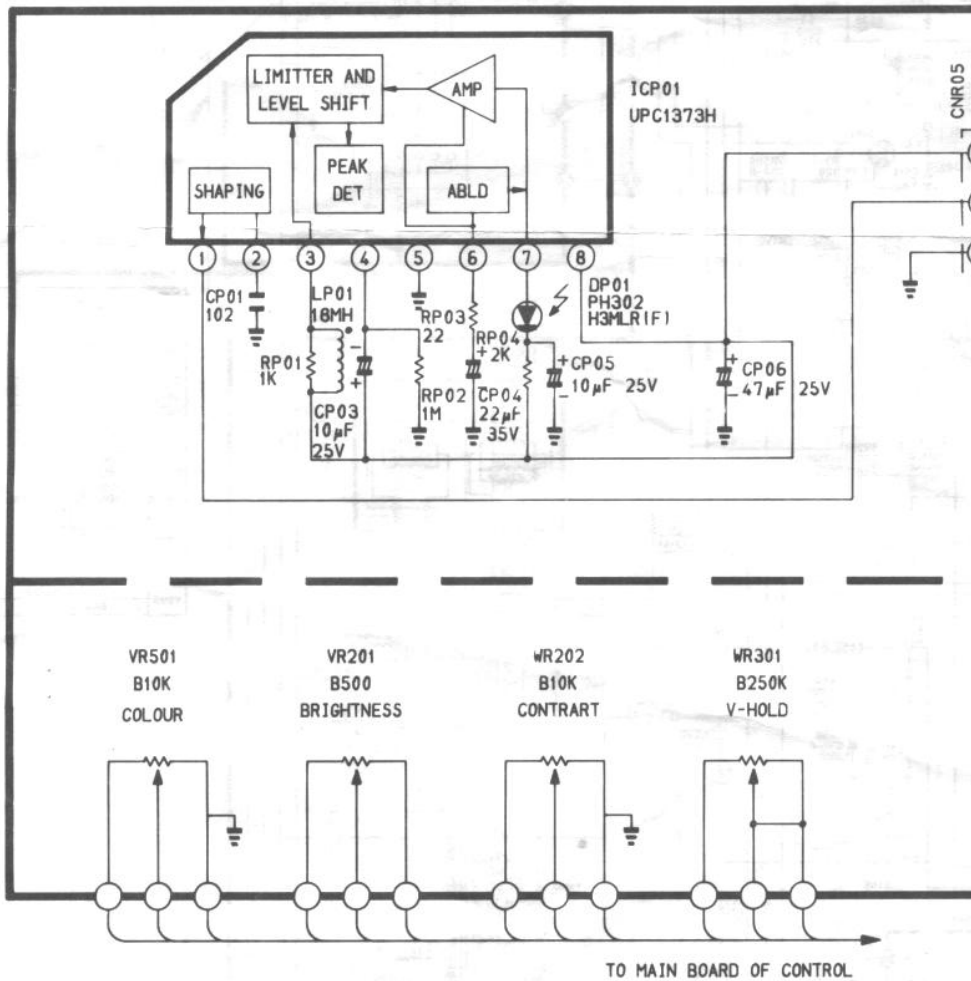
FILE NAME : RM097.R3

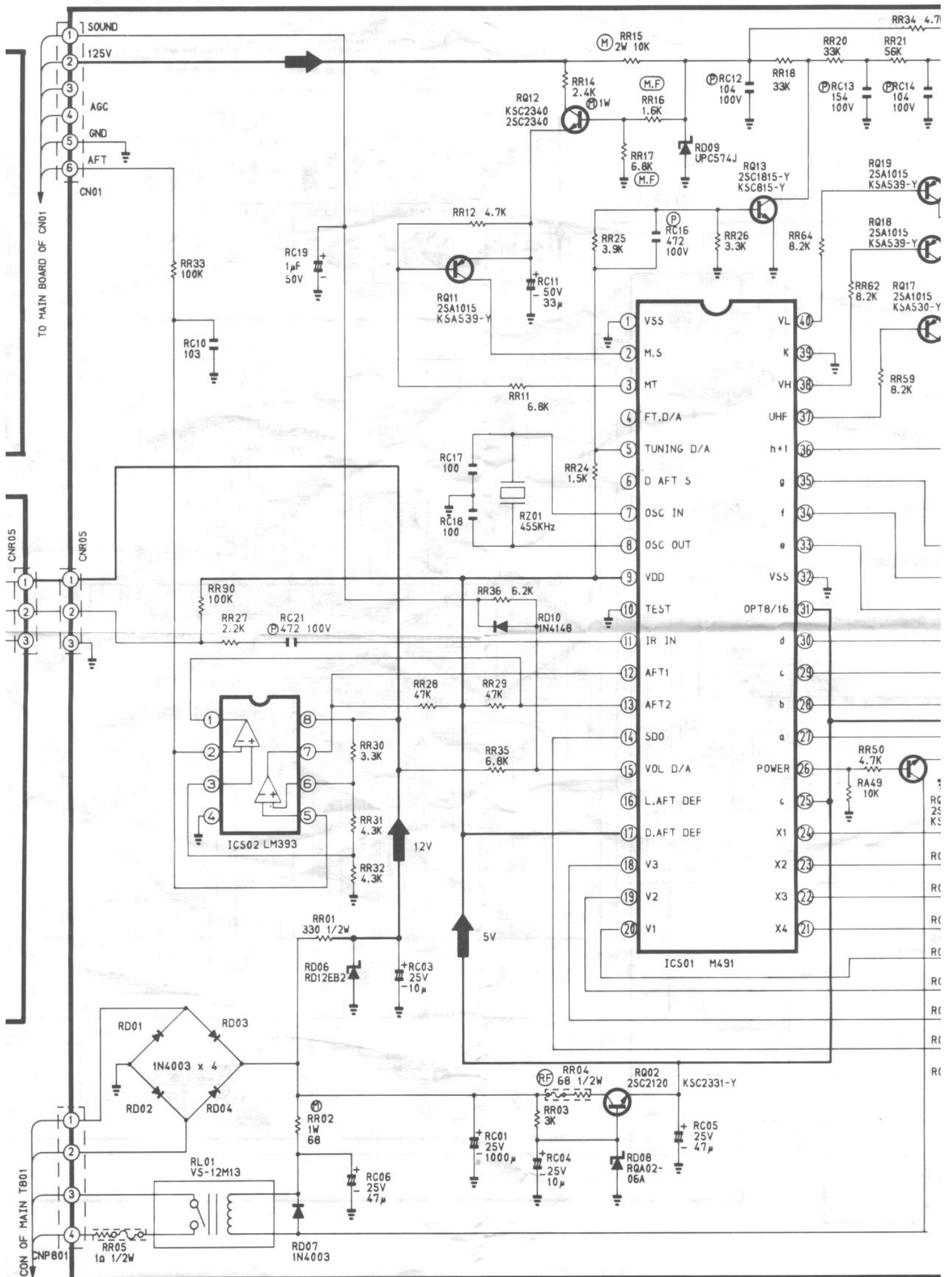
PWB - REMOCON

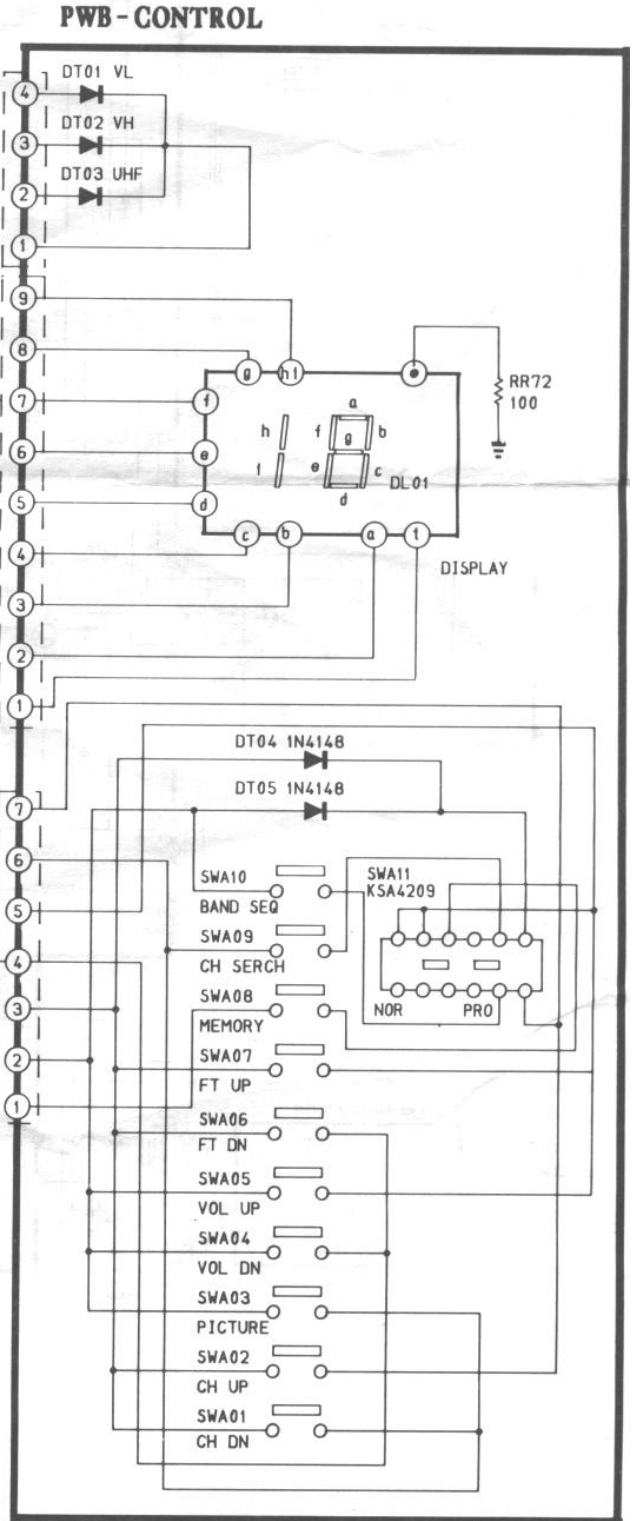
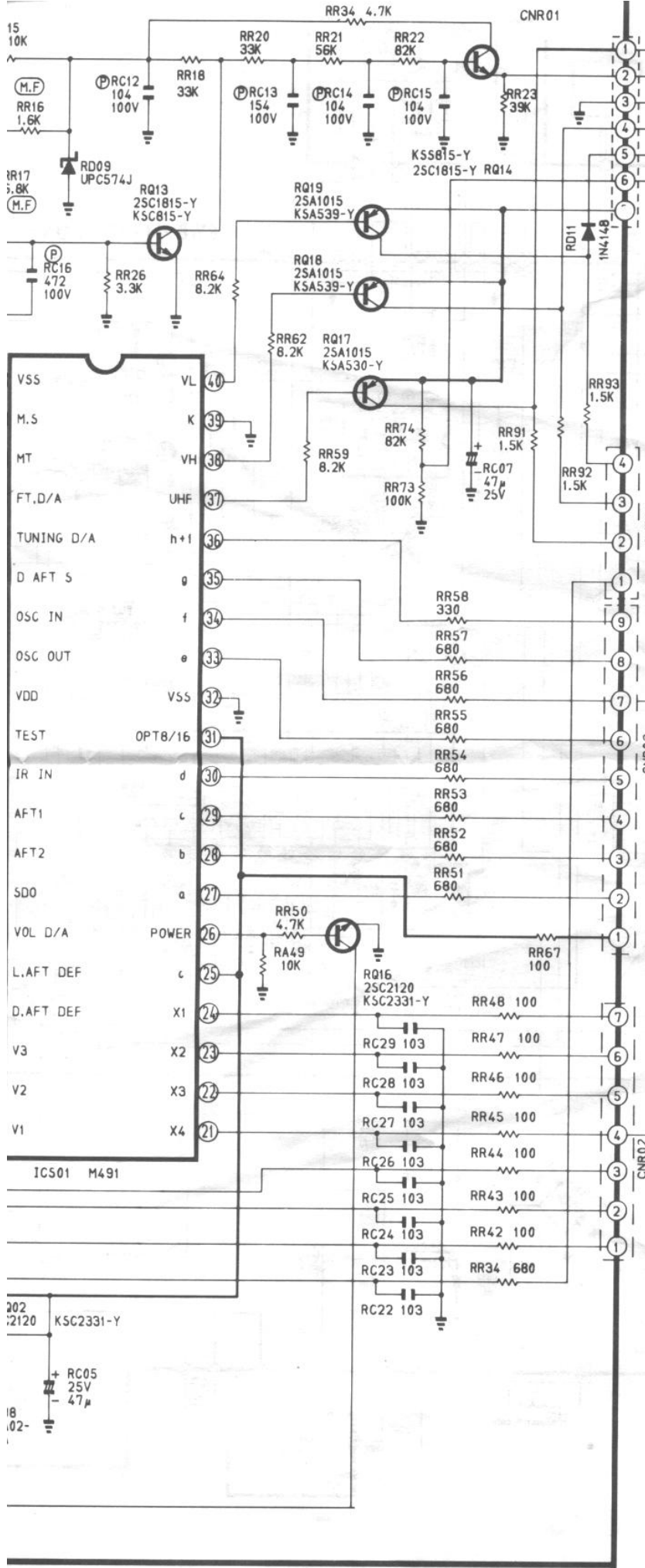
PWB-TRANSMITTER (24KEY)



PWB - PRE AMP







IC501 M491

IC502 2120

TO MAIN BOARD OF 5N01