

# TANDBERG®

## TCD 420 A

### Illustrated Parts List

#### Bestilling av deler

Ved alle henvendelser, vennligst oppgi apparatets type og serienummer.  
Ved bestilling av deler, oppgi bestillingsnummer og beskrivelse.

#### Bestillingsadresse

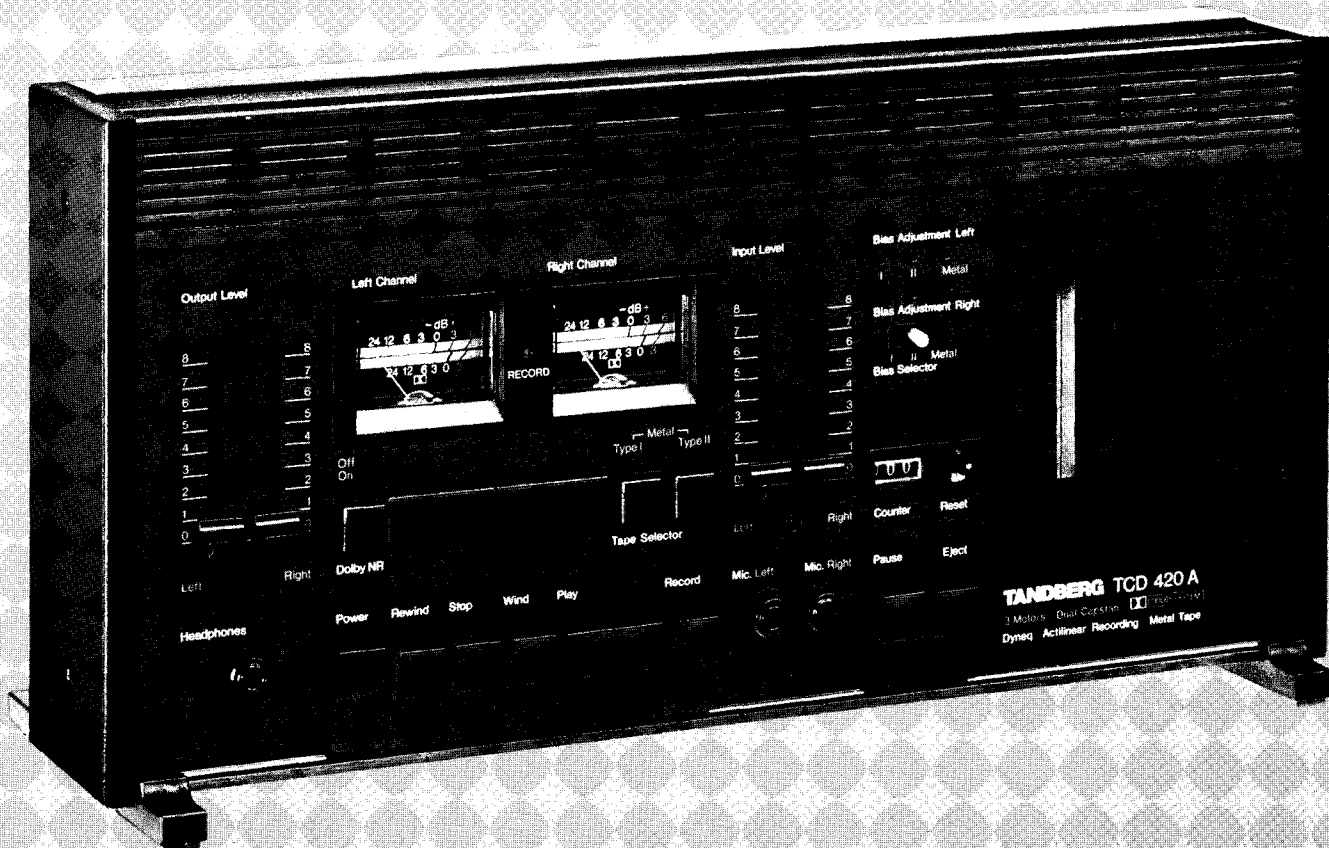
Kontakt nærmeste Tandberg-kontor eller:  
Tandberg A/S  
Sentral Delelager — Service  
Postboks 53  
N — 2007 KJELLER — Norge  
Telefon: (02) 71 68 20  
Telex: 18007 kurer n

#### Ordering of spare parts

For all enquiries, please state the set's type and serial number.  
When ordering, give the part's order number and description.

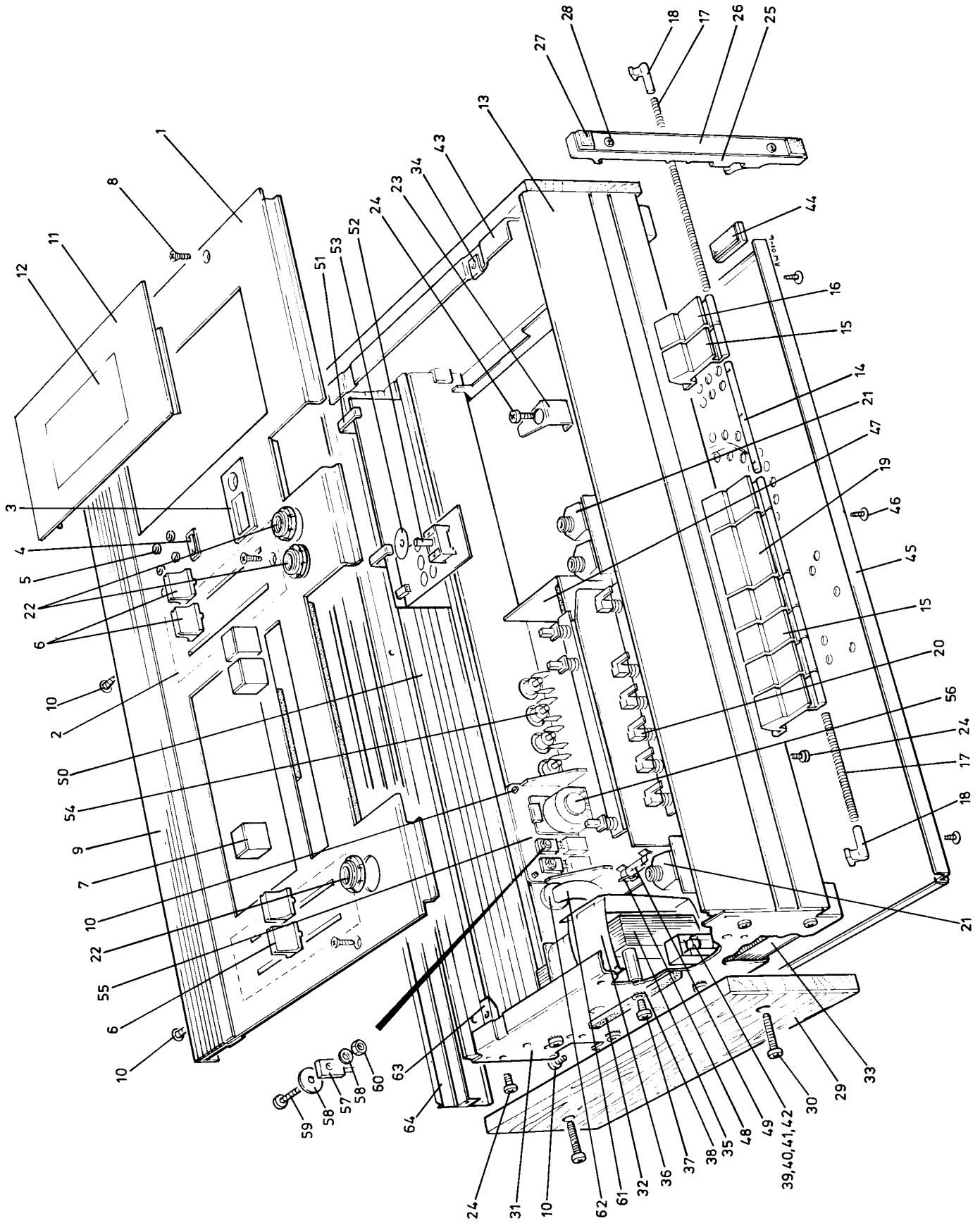
#### Address

Contact your nearest Tandberg office or:  
Tandberg A/S  
Spares Department  
P.O. Box 53  
N — 2007 KJELLER — Norway  
Telephone: (2) 71 68 20  
Telex: 18007 kurer n



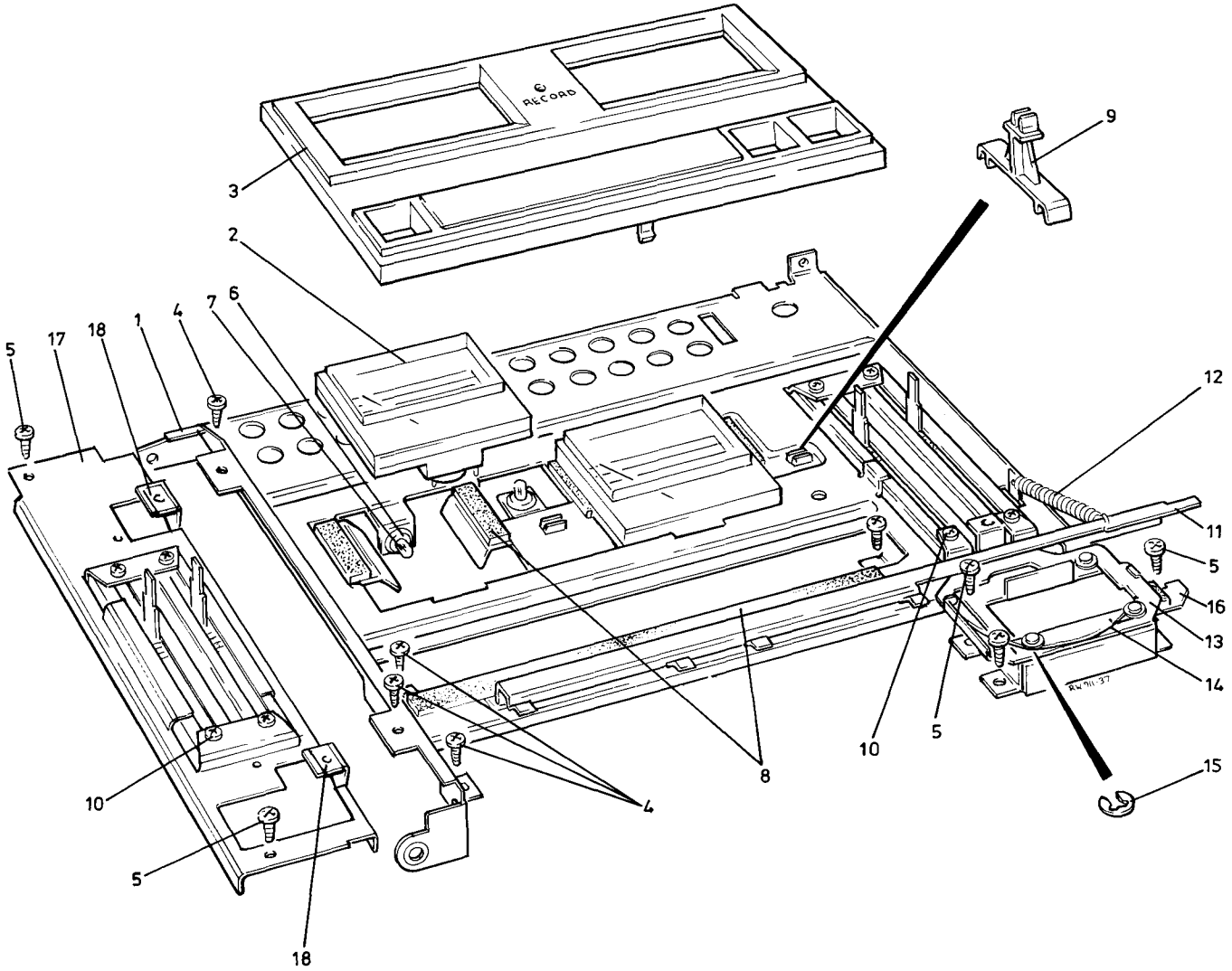
**TANDBERG®** — The European Alternative

Chassis assembly



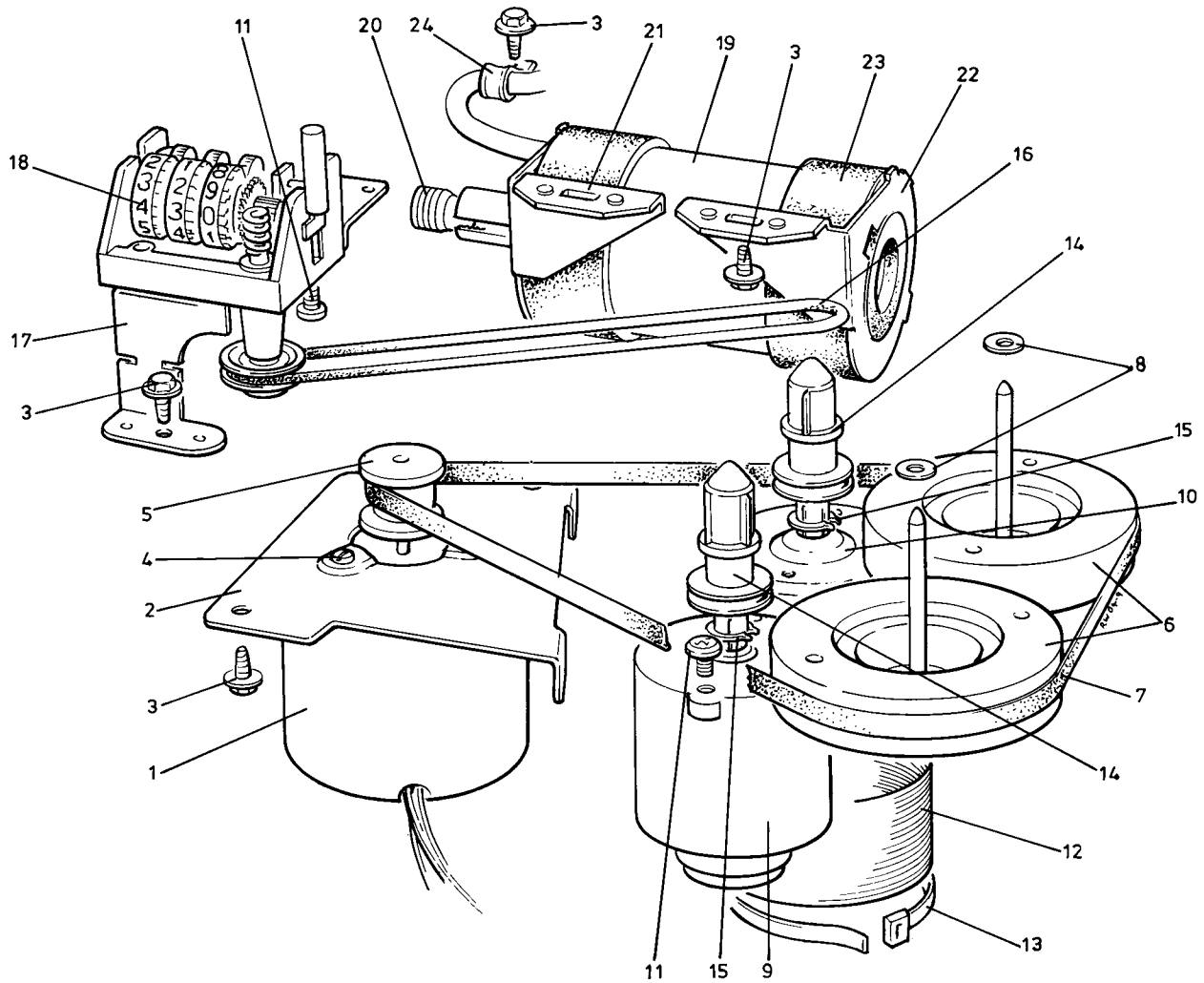
SPECIFY THIS WHEN ORDERING				
Index	Ordering No.	Beskrivelse (merknader)	Description (notes)	Reference
	*	Sjassis-enhet	Chassis assembly	
1	995179	Plate	Plate, top, natural	
	995170	Plate	Plate, top, black	
2	292581	Plate	Mask, felt	
3	313191	Vindu	Window, counter, plastic	
4	368958	Ramme	Surround, switch, plastic	
5	375403	Hylse	Grommet, black plastic	
6	994119	Knapp	Knob, black, plastic, with spring	INPUT LEVEL, OUTPUT LEVEL
7	353061	Knapp	Button, push, black, plastic	MPX FILTER, DOLBY NR., TAPE
8	294556	Skruer	Screw, plate, 3/8" No. 4 csk hd	
	234206	Skruer	Screw, plate, 3/8" No. 4 csk hd, black	
9	347163	Skinne	Plate, top	
10	378455	Skruer	Screw, M3.5 x 6.3 hex hd, black	
11	344750	Deksel	Cover, natural	
	402908	Deksel	Cover, black	
12	367321	Vindu	Window, plastic	
13	370136	Skinne	Plate, front	
14	*	Aksel	Rod	
15	354462	Knapp	Button, black, plastic	POWER, REWIND, STOP, WIND, RECORD, PAUSE EJECT
16	352429	Knapp	Button, black, plastic	
17	350582	Fjær	Spring	
18	352263	Tapp	Peg	
19	354110	Knapp	Button, black, plastic	PLAY
20	350396	Hylse	Arm, plastic	
21	294420	Jack	Socket, jack, 3 pole, 1/4"	HEADPHONES, MIC L, MIC R
22	312156	Mutter	Nut, plastic	
23	286267A	Fjær	Spring, flat	
24	309060	Skruer	Screw, plate, 1/4" No. 6 pan hd	
25	994152	Fot	Foot, pair (supplied with index 26-28)	
26	*	Plate	Plate	
27	324297	Fot	Foot, rubber	
28	309693	Skruer	Screw, plate, 1/4" No. 4 flange hd	
29	348995	Plate	Panel, plastic, black	
30	262984	Skruer	Screw, plate, 5/8" No. 6 pan hd, black	
31	309599C	Plate	Plate, side wall, left	
32	360935	List	Strip, foam rubber, 4.5 x 6 x 50 mm, black	
33	290211	Plate	Plate, isolation	
34	272739	Mutter	Nut, plate	
35	407520	Transformator	Transformer	
36	373577A	Plate	Cover, isolation	
37	334807	Skruer	Screw, 4 x 8 mm pan hd	
38	202332	Skive	Washer, 4.3 mm	
39	357399	Holder	Holder, fuse	
40	340813	Skruer	Screw, plate, 1/4" No. 2 pan hd	
41	279952	Sikring	Fuse, 315 mA, 5 x 20 mm, slow	Europe
	270526	Sikring	Fuse, 800 mA, 5 x 20 mm, slow	USA
42	355202	Plate	Cover	
43	305885A	Plate	Plate, side wall, right	
44	227949	Fot	Foot, rubber	
45	319448C	Plate	Cover, bottom	
46	297925	Skruer	Screw, plate, 5/16" No. 6 flange hd, black	
47	310397	Plate	Screen	
48	277509	Holder	Holder, fuse	
49	272207	Sikring	Fuse, 1.6 A, 5 x 20 mm, slow	S101
50	409984	Skinne	Plate, rear wall	
51	300612A	Klammer	Guide, plastic	
52	365282	Vender	Switch, toggle	BIAS SELECTOR
53	374834	Skive	Ring, felt	
54	283773	Kontakt	Socket, phono	INPUT, OUTPUT
55	309247	Brakett	Bracket	
56	274162	Kontakt	Socket, 5 pin DIN 180 degrees	RADIO
57	*	Transistor	Transistor	
58	*	Skive	Washer (supplied with index 57)	
59	296417	Skruer	Screw, 2.6 x 8 mm pan hd	
60	271367	Mutter	Nut, 2.6 mm	
61	357630	Ledning	Cable, power, with Europlug	Europe
	346388	Ledning	Cable, power	USA
62	281454	Tube	Tube, cable, power	
63	319721	Brakett	Bracket, frame	
64	347709	Deksel	Cover, rear	

# Meter board assembly



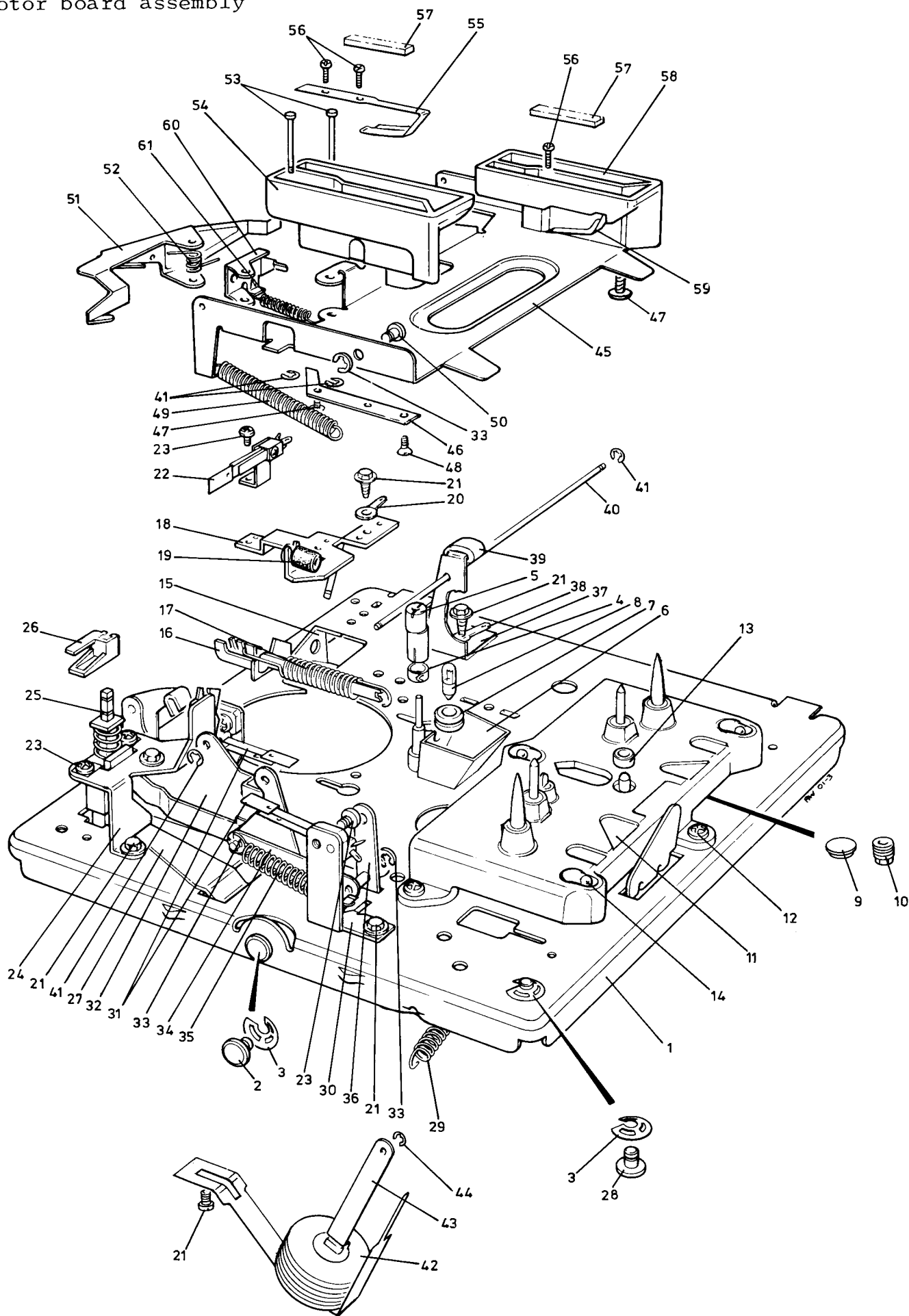
SPECIFY THIS WHEN ORDERING				
Index	Ordering No.	Beskrivelse (mærknader)	Description (notes)	Reference
1	* 995143	Instrumentkort-enhet Ramme (lev. m/index 8)	Meter board assembly Frame (supplied with index 8)	
2	402125	Instrument	Meter	
3	995142	Holder	Holder, meter	
4	220392	Skrue	Screw, plate, 1/4" No. 4 pan hd	
5	309060	Skrue	Screw, plate, 1/4" No. 6 pan hd	
6	285720	Tube	Grommet, rubber	
7	995102	Lampe	Bulb, 14 V 80 mA	
8	250477	List	Strip, foam rubber, 3 x 9 mm	
9	289765A	Klammer	Guide, plastic	
10	269255	Skrue	Screw, 3 x 4 mm pan hd	
11	310123	Skinne	Arm, locking	
12	279040	Fjær	Spring	
13	291726	Ramme	Plate	
14	291022	Fjær	Spring	
15	239651	Skive	Ring, circlip, 3.2 mm	
16	293407A	Vippe	Lever	
17	374446	Ramme	Frame, potentiometer	
18	272739	Mutter	Nut, plate	Rec.lamp, Meter illum.

# Drive assembly



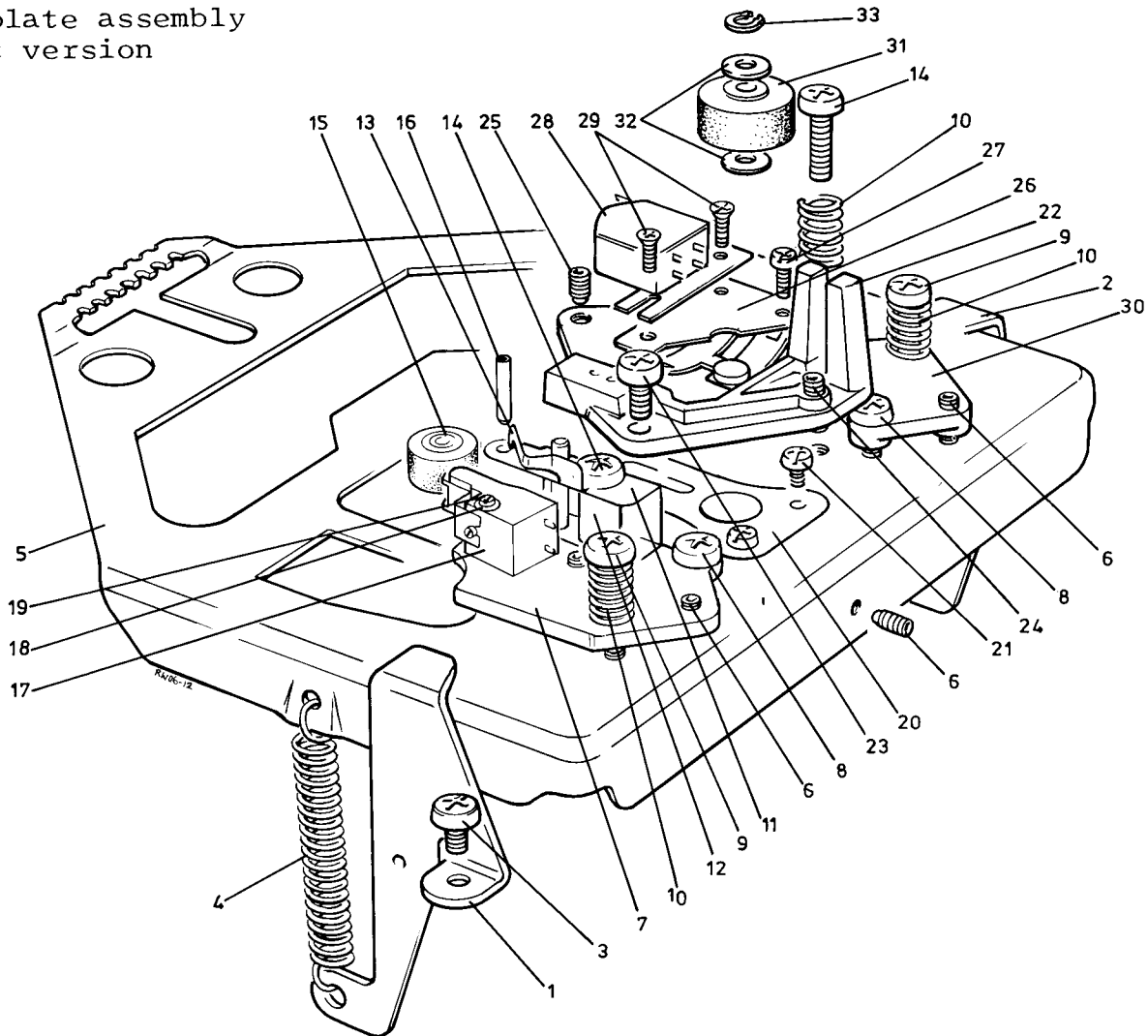
SPECIFY THIS WHEN ORDERING		Beskrivelse (mærknader)	Description (notes)	Reference
Index	Ordering No.			
	*	Fremdrifts-enhet	Drive assembly	
1	400092	Motor	Motor	Capstan
2	377084	Plate	Plate, mounting, capstan motor	
3	346854	Skruer	Screw, 3.5 x 6.3 mm hex hd, with collar	
4	403174	Skruer	Screw, 2.6 x 3.5 mm pan hd	
5	994158	Hjul	Pulley, drive, 50 Hz	
	994159		Pulley, drive, 60 Hz	
6	994111	Svinghjul (parvis tilpasset, og med index 7)	Flywheel (supplied in matched pairs and with index 7)	
7	994183	Ring	Belt, drive, rubber	
8	285369	Skive	Washer, 6 x 2.7 x 0.5 mm, plastic	
9	375086	Motor	Motor, non-cogging	Supply Take-up
10	284823	Motor	Motor	
11	269255	Skruer	Screw, 3 x 4 mm pan hd	
12	306775	Skjerm	Screen	
13	319506	Bånd	Strap, plastic	
14	994113	Aksel (lev. m/index 15)	Spindle, tape reel (supplied with index 15)	
15	213826	Ring	Ring, retaining, external, 6 mm	
16	309600	Ring	Belt, drive, rubber	
17	379117	Brakett	Bracket, support, counter	
18	280132	Teller	Counter	
19	994184	Trekkmagnet	Solenoid	L1, L2, Start solenoid
20	264212A	Skruer	Screw, nylon	
21	995101	Klammer	Bracket	
22	302300	Klammer	Bracket	
23	300942A	Hylse	Housing, rubber	
24	202684	Klammer	Clamp, cable, nylon, 5 mm	

Motor board assembly



Index	SPECIFY THIS WHEN ORDERING		Description (notes)	Reference
	Ordering No.	Beskrivelse (merknader)		
1	*	Motorplate-enhet	Motor board assembly	
	*	Plate	Plate, support, motor	
2	302020	Aksel	Post, pivot	
3	245649	Skive	Ring, circlip, 4 mm	
4	229824	Klips	Clip	
5	301395	Hylse	Cam, nylon	
6	301747C	Skjerm	Reflector, illumination	
7	285720	Tube	Grommet, rubber	
8	995102	Lampe	Bulb, 14 V 80 mA	Cass. illum.
9	355014	Plate	Disc, thrust bearing	First version
10	371351	Skruer	Screw, nylon	Second version
11	994117	Plate	Plate, mounting, flywheel	
12	290842	Skruer	Screw, 3 x 6 mm pan hd	
13	207173	Lager	Bearing, 2.5 mm	
14	303622	Kule	Ball, bearing	
15	301323	Arm	Lever, solenoid	
16	300964	Arm	Arm	
17	304685	Fjær	Spring	
18	994112	Brakett	Bracket, with spindle	
19	202303	Tube	Tube, rubber	
20	223675	Loddeøre	Tag, solder, 4.2 mm	
21	346854	Skruer	Screw, 3.5 x 6.3 mm hex hd, with collar	
22	289083	Vender	Switch, leaf, c/o, with bracket and screw	MS1 slide
23	269255	Skruer	Screw, 3 x 4 mm pan hd	
24	994122	Brakett	Bracket, support, push switch	
25	300497	Vender	Switch, push	PAUSE
26	350827	Hylse	Arm, plastic	
27	301675A	Arm	Lever, pause	
28	302997	Aksel	Post, pivot	
29	286051	Fjær	Spring	
30	995720	Brakett	Bracket, support, leaf switch	
31	284119	Vender	Switch, leaf, n/o	MS3 Rec., MS4 Cassette
32	995136	Brakett	Bracket, eject mechanism, cassette	
33	230542	Skive	Ring, circlip, 2.3 mm	
34	994124	Arm	Lever, with spindle	
35	230363	Fjær	Spring	
36	285268A	Arm	Lever	
37	352385	Brakett	Bracket, support, cassette drawer	
38	218287	Klips	Clip	
39	351581	Strømpe	Sleeve, rubber	
40	301668	Aksel	Spindle	
41	237970	Skive	Ring, circlip, 1.5 mm	
42	995134	Belg	Bellows, with flat spring	
43	360129	Arm	Arm, bellows	
44	234256	Skive	Ring, circlip, 1.9 mm	
45	300490A	Brakett	Bracket, cassette drawer	
46	995135	Brakett	Bracket, bellows	
47	292875	Skruer	Screw, plate, 3/8" No. 4 flange hd	
48	234206	Skruer	Screw, plate, 3/8" No. 4 csk hd, black	
49	289413	Fjær	Spring	
50	304678	Tapp	Post, pivot	
51	287380A	Arm	Arm	
52	365130	Fjær	Spring	
53	301316	Aksel	Post, pivot	
54	994120	Styring (lev. m/index 55-57)	Guide, cassette, left (supplied with index 55-57)	
55	291791	Fjær	Spring, cassette drawer, left	
56	299606	Skruer	Screw, plate, 3/16" No. 2 pan hd	
57	365553	List	Strip, foam rubber, 4.5 x 6 x 25 mm, black	
58	994121	Styring (lev. m/index 56,57, og 59)	Guide, cassette, right (supplied with index 56,57 and 59)	
59	290110	Fjær	Spring, cassette drawer, right	
60	304103	Arm	Arm	
61	293824	Fjær	Spring	

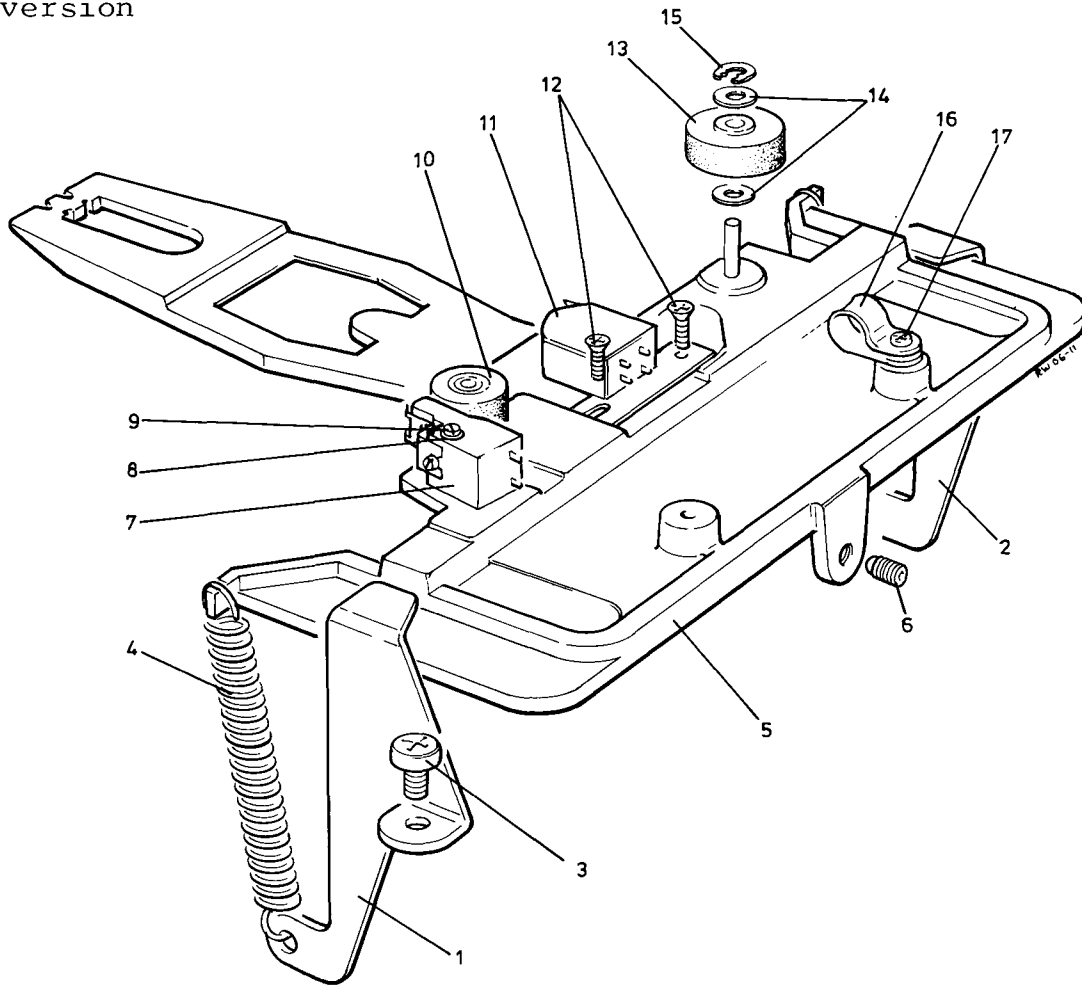
Head plate assembly  
-first version



Index	Ordering No.	Beskrivelse (merknader)	Description (notes)	Reference
	*	Hodebro-enhet	Head plate assembly	
1	304333A	Arm	Bracket, guide, head plate, left	
2	302652B	Arm	Bracket, guide, head plate, right	
3	269255	Skrue	Screw, 3 x 4 mm pan hd	
4	287732	Fjær	Spring	
5	*	Plate	Plate, mounting, head	
6	890002	Skrue	Screw, set, 3 x 7 mm	
7	995178	Plate	Plate, pressure, left	
8	292523	Skrue	Screw, 3 x 8 mm pan hd	
9	293852	Skrue	Screw, 3 x 15 mm pan hd	
10	240406A	Fjær	Spring	
11	342307	Bøyle	Bracket, U-shaped, pressure roller	
12	337479A	Hylse	Spacer	
13	346997	Fjær	Spring	
14	292171	Skrue	Screw, 3 x 12 mm pan hd	
15	333126	Valse	Roller, pressure, rubber	
16	341553	Aksel	Spindle	
17	716481	Hode	Head, erase	
18	356947	Skive	Washer, 1.4 mm	
19	340281	Skrue	Screw, 1.7 x 12 mm pan hd	
20	285699A	Fjær	Spring, flat	
21	294520	Skrue	Screw, 2.3 x 3 mm pan hd	
22	995177	Plate	Plate, mounting, head	
23	290842	Skrue	Screw, 3 x 6 mm pan hd	
24	890003	Skrue	Screw, set, 3 x 8 mm	
25	890000	Skrue	Screw, set, 3 x 5 mm	
26	287926A	Plate	Plate	
27	292487	Skrue	Screw, 2 x 5 mm pan hd	
28	404661	Hode	Head, record and playback	
29	294168	Skrue	Screw, 2 x 6 mm csk hd	
30	994192	Plate (lev. m/index 6,8-10 og 31-33)	Plate, pressure, right (supplied with index 6, 8-10, and 31-33)	
31	860004A	Hjul	Roller, pressure, rubber	
32	244377	Skive	Washer, 6 x 2.5 x 0.3 mm	
33	212145	Ring	Ring, retaining, external, 2.5 mm	

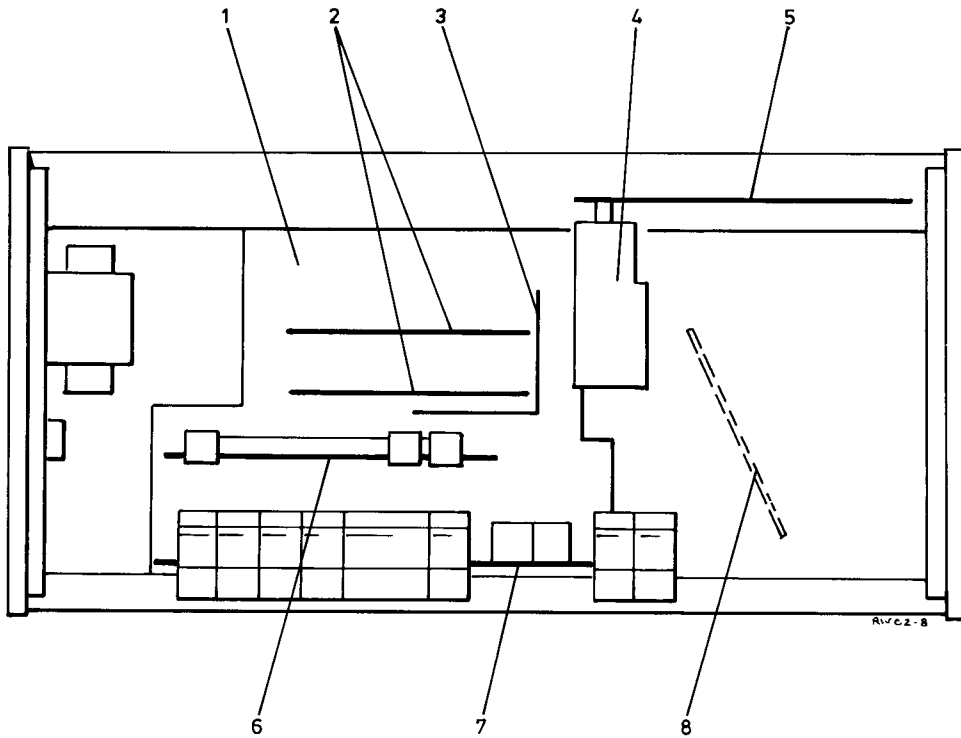


Head plate assembly  
-second version



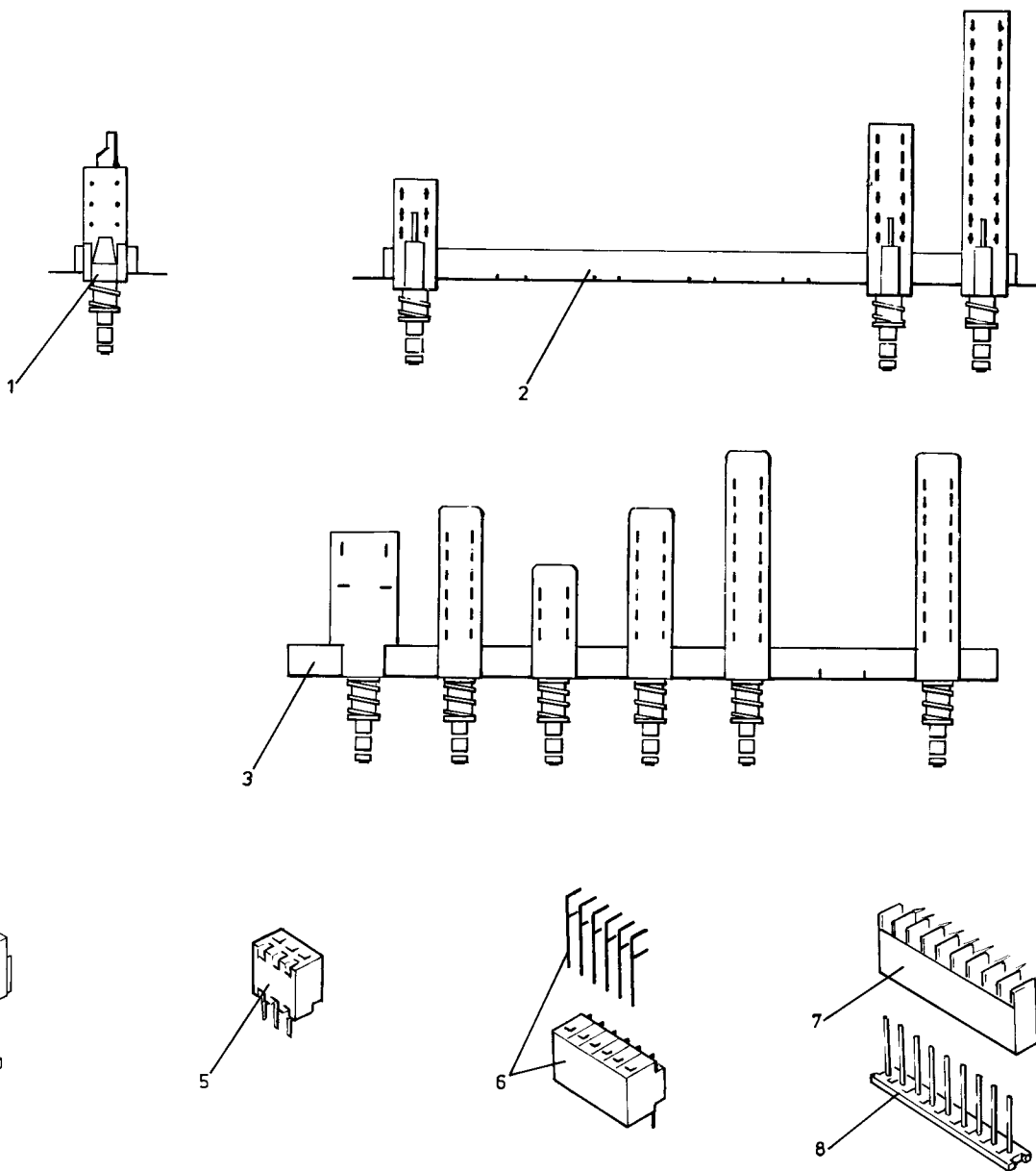
SPECIFY THIS WHEN ORDERING				
Index	Ordering No.	Beskrivelse (merknader)	Description (notes)	Reference
	*	Hodebro-enhet	Head plate assembly	
1	304333A	Arm	Bracket, guide, head plate, left	
2	302652B	Arm	Bracket, guide, head plate, right	
3	269255	Skrue	Screw, 3 x 4 mm pan hd	
4	407549	Fjær	Spring	
5	995180	Plate	Plate, mounting, head	
6	890002	Skrue	Screw, set, 3 x 7 mm	
7	716481	Hode	Head, erase	
8	356947	Skive	Washer, 1.4 mm	
9	340281	Skrue	Screw, 1.7 x 12 mm pan hd	
10	333126	Valse	Roller, pressure, rubber	
11	404661	Hode	Head, record and playback	
12	294168	Skrue	Screw, 2 x 6 mm csk hd	
13	860004A	Hjul	Roller, pressure, rubber	
14	244377	Skive	Washer, 6 x 2.5 x 0.3 mm	
15	237970	Ring	Ring, retaining, external, 1.5 mm	
16	219221	Klammer	Clamp, cable, nylon, 7 mm	
17	292487	Skrue	Screw, 2 x 5 mm pan hd	

Printed circuit boards



SPECIFY THIS WHEN ORDERING				
Index	Ordering No.	Beskrivelse (merknader)	Description (notes)	Reference
	*	TK plater	Printed circuit boards	
1	995171	Kort	Board, mother	A1
2	994197	Kort	Board, Dolby	
3	310397	Plater	Screen	
4	995174	Kort	Board, bias	A6
5	995173	Kort	Board, oscillator	A5
6	995172	Kort	Board, switch, 2	A3
7	995175	Kort	Board, switch, 1	A2
8	995176	Kort	Board, motor control	B2

# Switches and connectors



SPECIFY THIS WHEN ORDERING			Description (notes)	Reference
Index	Ordering No.	Beskrivelse (merknader)		
	*	Vendere	Switches	PAUSE MPX FILTER, DOLBY NR, TAPE POWER, REWIND, STOP, WIND, PLAY, RECORD
1	300497	Vender	Switch, push	
2	406342	Vender	Switch, push	
3	308156	Vender	Switch, push	
	*	Kontakter	Connectors	
4	995818	Kontakt	Connector, 2 pole, small	
	995819	Kontakt	Connector, 3 pole, small	
	995820	Kontakt	Connector, 4 pole, small	
5	318320	Kontakt	Connector, fixed, 3 pole	
6	996302	Kontakt	Connector, 3 pole, black	
	996303	Kontakt	Connector, 6 pole, black	
7	347551	Kontakt	Connector, fixed, 9 pole	
8	346222	Kontakt	Connector, fixed, 9 pole	

**TANDBERG A/S**  
**P.O. Box 53**  
**N – 2007 Kjeller – Norway**

1735 - 7 - 80 Part No. 714137  
Printed in Norway by Reclamo A/S  
©Tandberg A/S 1980