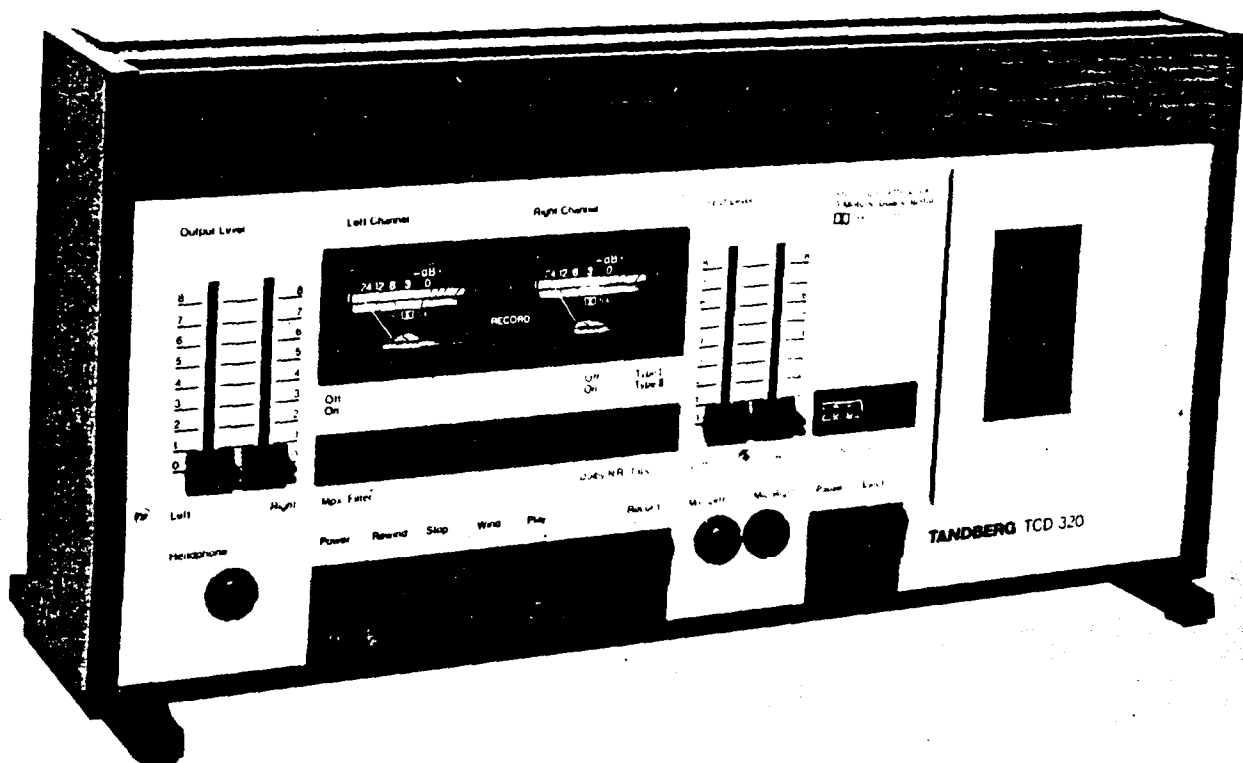


# TANDBERG

## TCD 320

### Illustrated Parts List



#### Bestilling av deler

Ved alle henvendelser, vennligst oppgi apparatets type og serienummer.  
Ved bestilling av deler, oppgi bestillingsnummer og beskrivelse.

#### Bestillingsadresse

Kontakt nærmeste Tandberg-kontor eller:  
Tandberg A/S  
Sentral Delelager – Service  
Postboks 53  
N – 2007 KJELLER – Norge  
Telefon: (02) 71 68 20  
Telex: 18007 kurer n

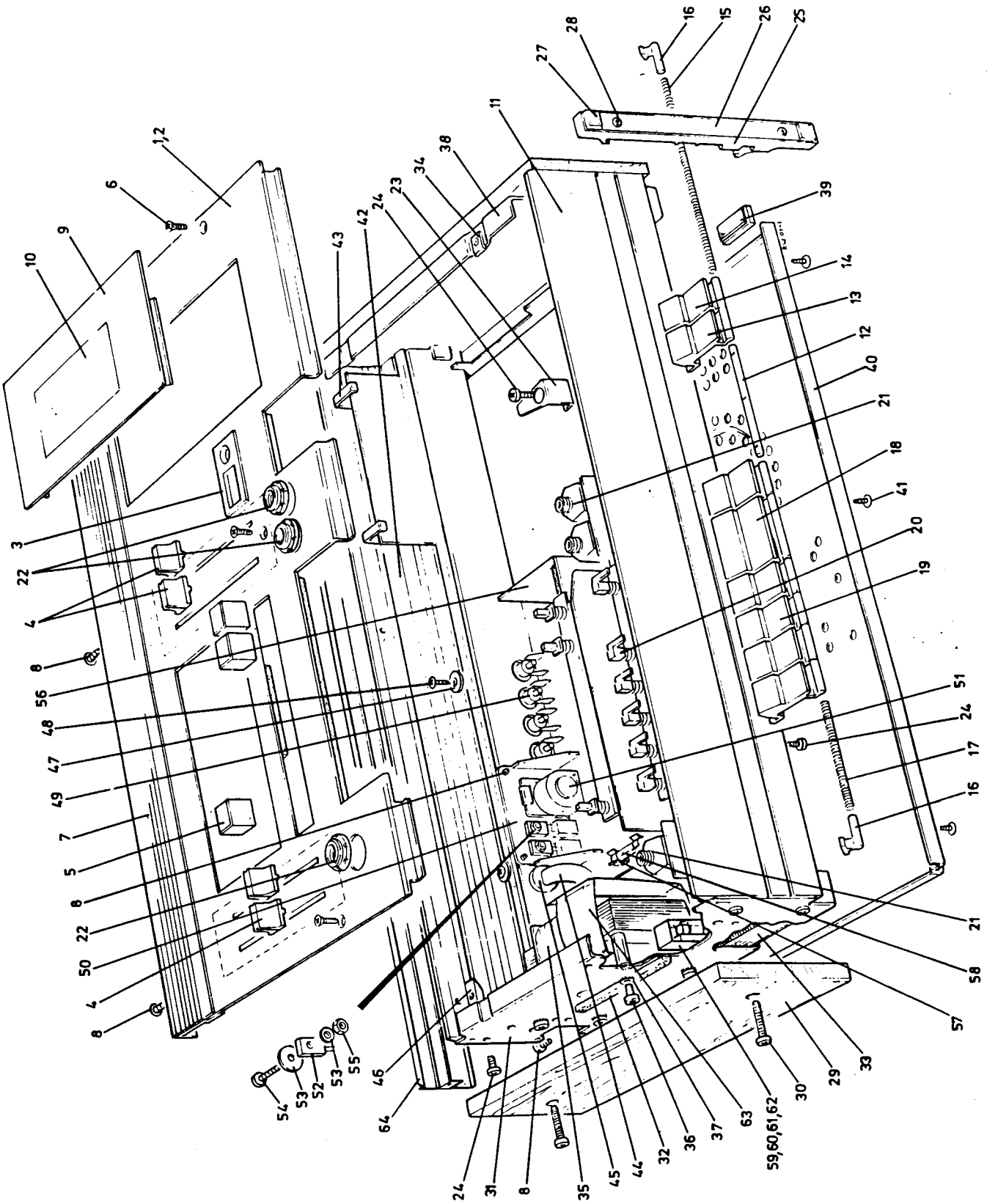
#### Ordering of spare parts

For all enquiries, please state the set's type and serial number.  
When ordering, give the part's order number and description.

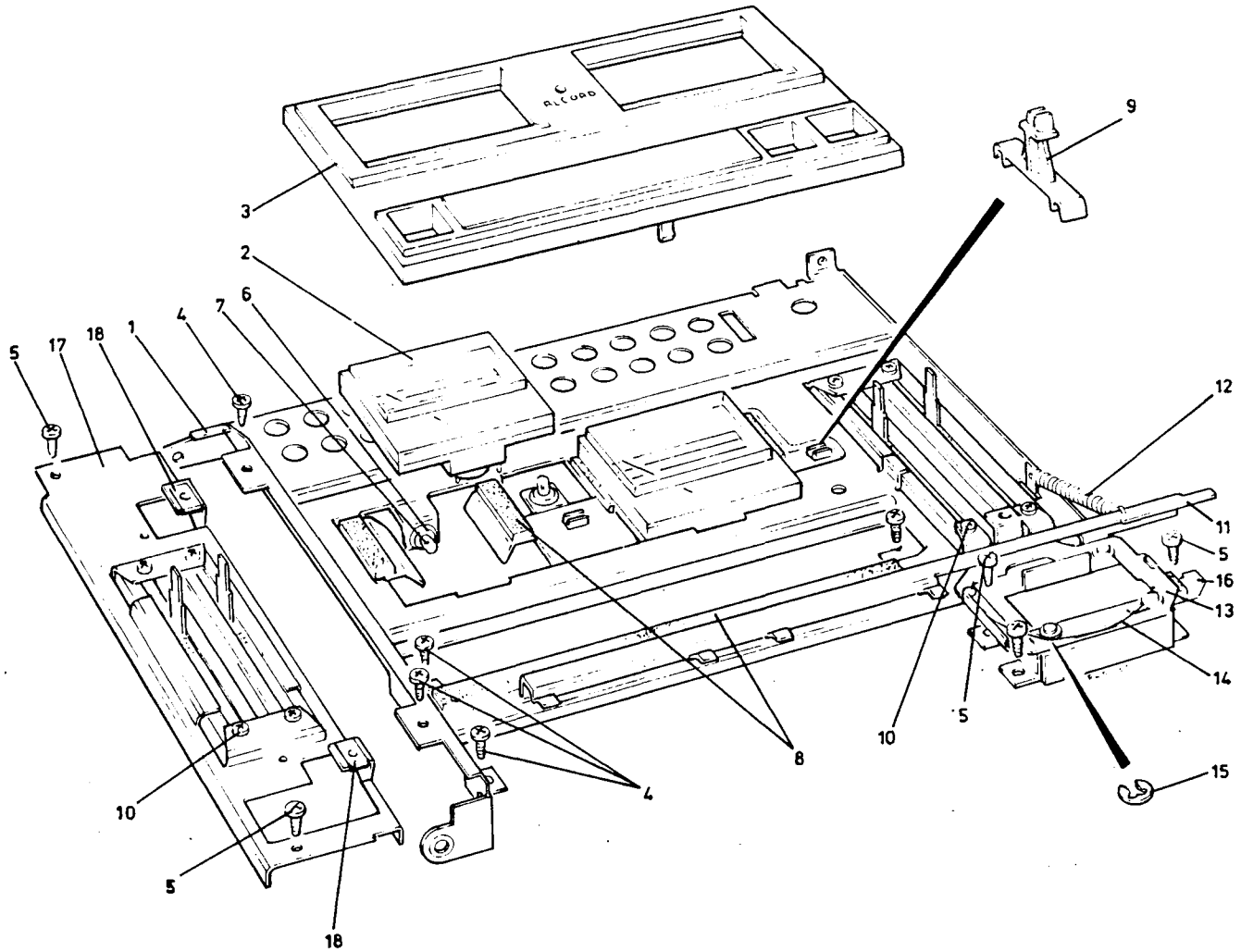
#### Address

Contact your nearest Tandberg office or:  
Tandberg A/S  
Spares Department  
P.O. Box 53  
N – 2007 KJELLER – Norway  
Telephone: (2) 71 68 20  
Telex: 18007 kurer n

MECHANICAL PARTS  
Chassis assembly

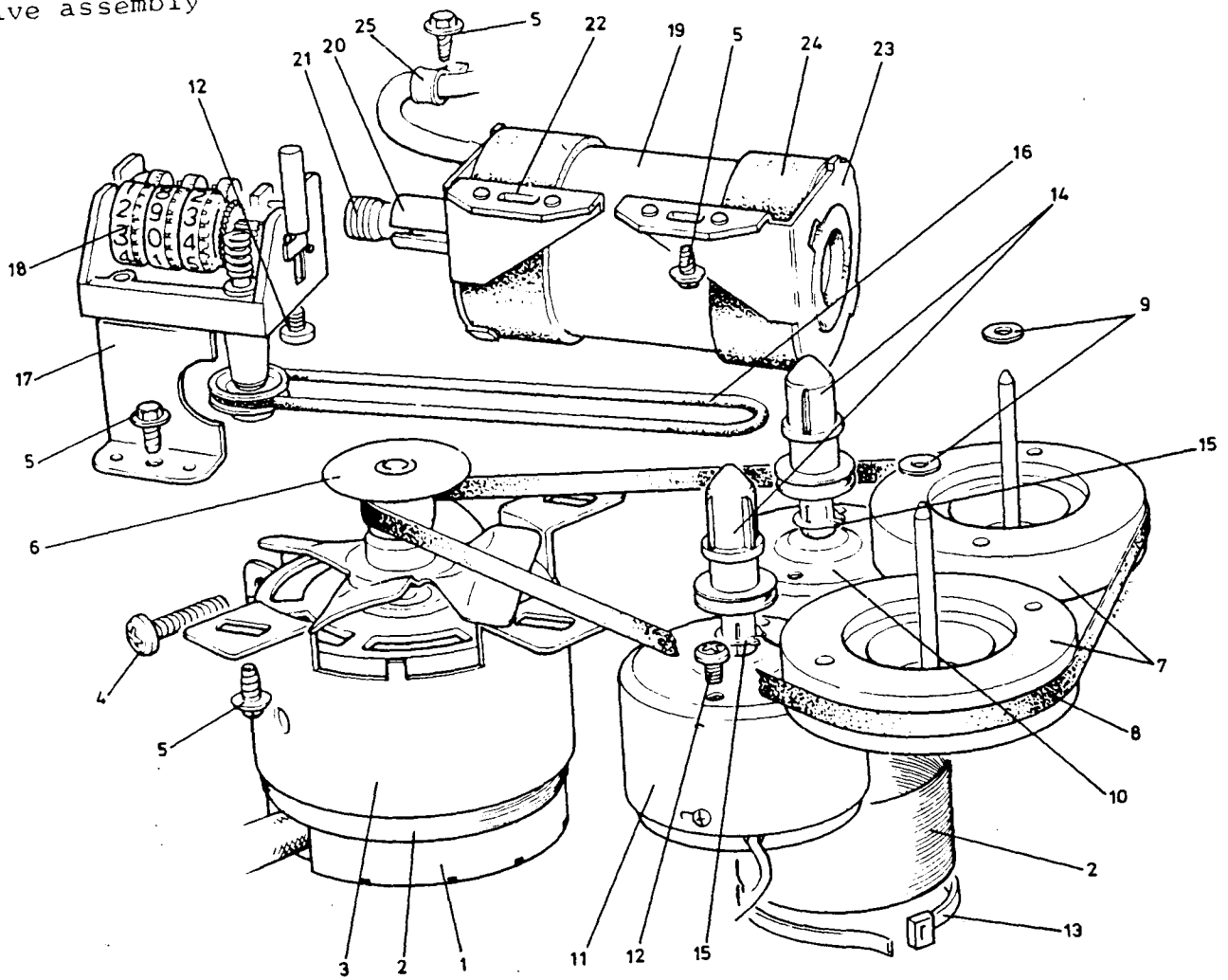


SPECIFY THIS WHEN ORDERING				Reference
Index	Ordering No	Beskrivelse (merknader)	Description (notes)	
1	* 995117	SJASSIS-ENHET PLATE (LEV. M/INDEX 2,3)	CHASSIS ASSEMBLY PLATE, TOP (SUPPLIED WITH INDEX 2 AND 3)	
2	292581	PLATE	MASK, FELT	
3	313191	VINDU	WINDOW, COUNTER, PLASTIC	
4	994119	KNAPP	KNOB, BLACK, PLASTIC, WITH SPRING	INPUT LEVEL, OUTPUT LEVEL
5	353061	KNAPP	BUTTON, PUSH, BLACK, PLASTIC	MPX FILTER, DOLBY NR., TAPE
6	294556	SKRUE	SCREW, PLATE, 3/8" NO. 4 CSK HD	
7	347163	SKINNE	PLATE, TOP	
8	378455	SKRUE	SCREW, M3.5 X 6.3 HEX HD, BLACK	
9	995141	DEKSEL (LEV. M/INDEX 10)	COVER (SUPPLIED WITH INDEX 10)	
10	367321	VINDU	WINDOW, PLASTIC	
11	370136	SKINNE	PLATE, FRONT	
12	*	AKSEL	ROD	
13	354462	KNAPP	BUTTON, BLACK, PLASTIC	POWER, REWIND, WIND, RECORD, PAUSE EJECT
14	352429	KNAPP	BUTTON, BLACK, PLASTIC	
15	350582	FJÄR	SPRING	
16	352263	TAPP	PEG	
17	370215	FJÄR	SPRING	
18	354110	KNAPP	BUTTON, BLACK, PLASTIC	PLAY
19	350748	KNAPP	BUTTON, BLACK, PLASTIC	STOP
20	350396	HYLSE	ARM, PLASTIC	
21	294420	JACK	SOCKET, JACK, 3 POLE 1/4 IN.	HEADPHONES, MIC L, MIC R
22	312156	MUTTER	NUT, PLASTIC	
23	286267A	FJÄR	SPRING, FLAT	
24	309060	SKRUE	SCREW, PLATE, 1/4" NO. 6 PAN HD	
25	994152	FOT (LEV. M/INDEX 26-28)	FOOT, PAIR (SUPPLIED WITH INDEX 26-28)	
26	*	PLATE	PLATE	
27	324297	FOT	FOOT, RUBBER	
28	309693	SKRUE	SCREW, PLATE, 1/4" NO. 4 FLANGE HD	
29	348995	PLATE	PANEL, PLASTIC, BLACK	
30	262984	SKRUE	SCREW, PLATE, 5/8" NO. 6 PAN HD, BLACK	
31	309599C	PLATE	PLATE, SIDE WALL, LEFT	
32	360935	LIST	STRIP, FOAM RUBBER, 4.5 X 6 X 50 MM, BLACK	
33	290211	PLATE	PLATE, ISOLATION	
34	272739	MUTTER	NUT, PLATE	
35	371120	TRANSFORMATOR	TRANSFORMER	
36	334807	SKRUE	SCREW, 4 X 8 MM PAN HD	
37	202332	SKIVE	WASHER, 4.3 MM	
38	305885A	PLATE	PLATE, SIDE WALL, RIGHT	
39	227949	FOT	FOOT, RUBBER	
40	319448B	PLATE	COVER, BOTTOM	
41	297925	SKRUE	SCREW, PLATE, 5/16" NO. 6 FLANGE HD, BLACK	
42	373146	SKINNE	PLATE, REAR WALL	
43	300612A	KLAMMER	GUIDE, PLASTIC	
44	357630	LEDNING	CABLE, POWER, WITH EUROPLUG	EUROPE, 230-240V 50HZ
	346388	LEDNING	CABLE, POWER	U.S.A., 115V 60HZ
45	281454	TUBE	TUBE, CABLE, POWER	
46	319721	BRACKET	BRACKET, FRAME	
47	205694	SKIVE	WASHER, 12 X 4.2 X 2 MM, TURBAX	
48	231267	SKRUE	SCREW, PLATE, 1/4" NO. 4 FLANGE HD	
49	283773	KONTAKT	SOCKET, PHONO	INPUT, OUTPUT
50	309247	BRACKET	BRACKET	
51	274162	KONTAKT	SOCKET, 5 PIN DIN 180 DEGREES	RADIO
52	*	TRANSISTOR	TRANSISTOR	
53	*	SKIVE (LEV. M/INDEX 52)	WASHER (SUPPLIED WITH INDEX 52)	
54	296417	SKRUE	SCREW, 2.6 X 8 MM PAN HD	
55	271367	MUTTER	NUT, 2.6 MM	
56	310397	PLATE	SCREEN	
57	277509	HOLDER	HOLDER, FUSE	
58	272207	SIKRING	FUSE, 1.6 A, 5 X 20 MM, SLOW	S101, 230/240V
59	357399	HOLDER	HOLDER, FUSE	
60	292718	SKRUE	SCREW, PLATE, 1/4" NO. 2 PAN HD	
61	279952	SIKRING	FUSE, 315 MA, 5 X 20 MM, SLOW	230/240V
	270526	SIKRING	FUSE, 800 MA, 5 X 20 MM, SLOW	115V
62	355202	PLATE	COVER	
63	373577B	PLATE	COVER, ISOLATION	
64	347709	DEKSEL	COVER, REAR	



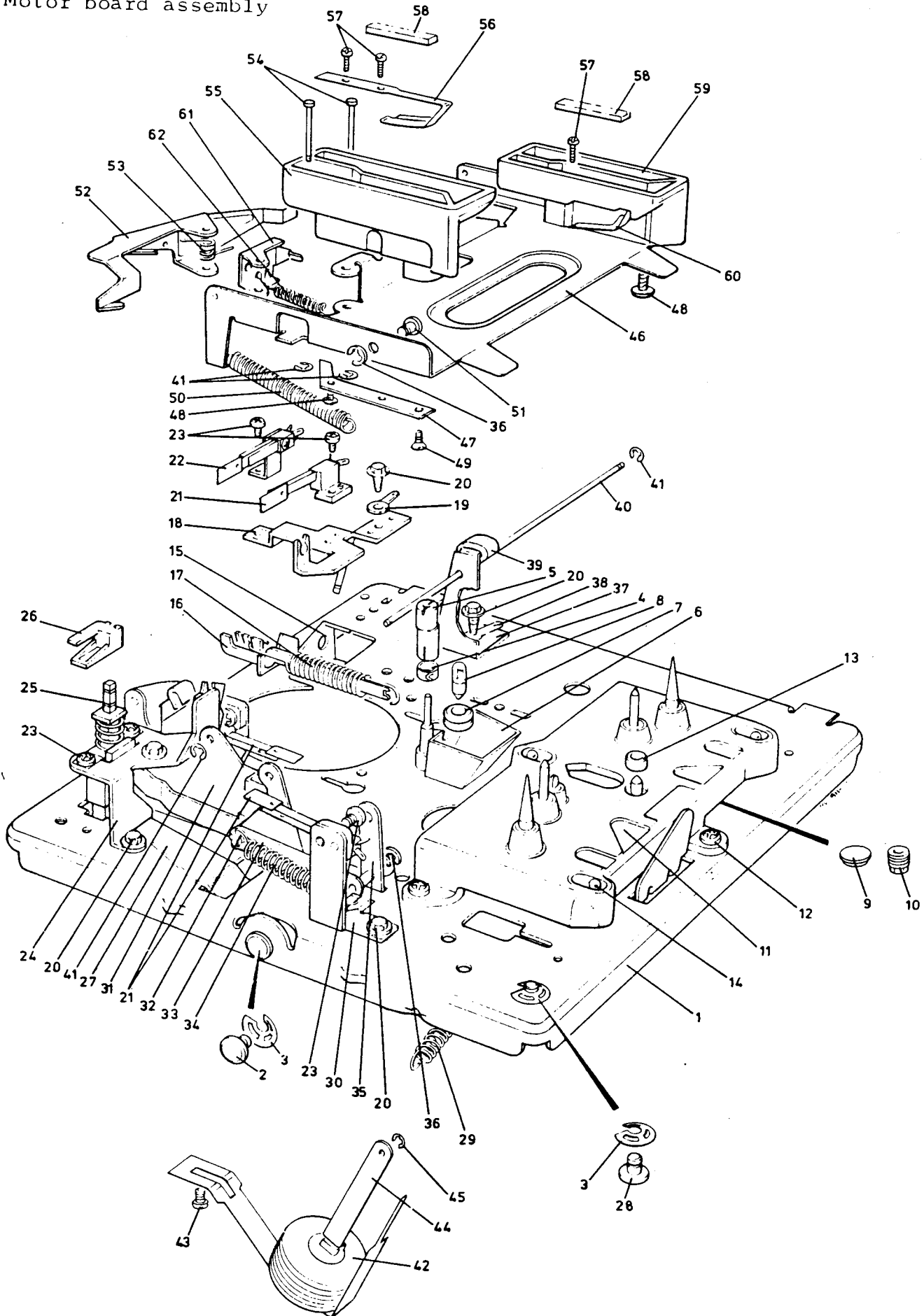
SPECIFY THIS WHEN ORDERING				
Index	Ordering No.	Beskrivelse (merknader)	Description (notes)	Reference
1	995143	INSTRUMENTKORT-ENHET RAMME (LEV. M/INDEX 8)	METER BOARD ASSEMBLY FRAME (SUPPLIED WITH INDEX 8)	
2	370474	INSTRUMENT	METER	
3	995142	HOLDER	HOLDER, METER	
4	220392	SKRUE	SCREW, PLATE, 1/4" NO. 4 PAN HD	
5	309060	SKRUE	SCREW, PLATE, 1/4" NO. 6 PAN HD	
6	285720	TUBE	GROMMET, RUBBER	
7	995102	LAMPE	BULB, 14 V 80 MA	REC.LAMP, METER ILLUM.
8	250477	LIST	STRIP, FOAM RUBBER, 3 X 9 MM	
9	289765A	KLAMMER	GUIDE, PLASTIC	
10	269255	SKRUE	SCREW, 3 X 4 MM PAN HD	
11	310123	SKINNE	ARM, LOCKING	
12	279040	FJÅR	SPRING	
13	291726	RAMME	PLATE	
14	291022	FJÅR	SPRING	
15	239651	SKIVE	RING, CIRCLIP, 3.2 MM	
16	293407A	VIPPE	LEVER	
17	374446	RAMME	FRAME, POTENTIOMETER	
18	272739	MUTTER	NUT, PLATE	

Drive assembly



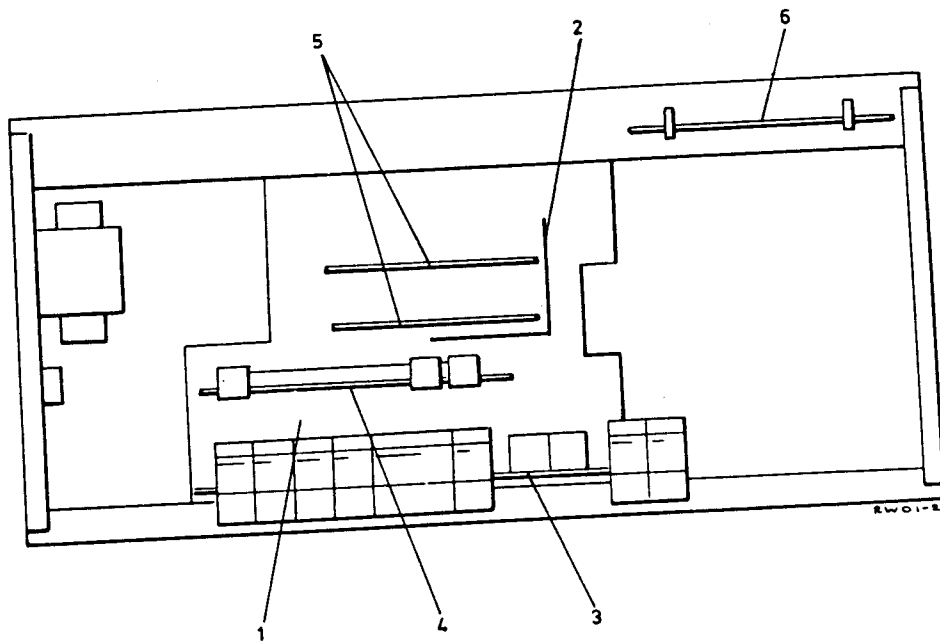
SPECIFY THIS WHEN ORDERING			Description (notes)	Reference
Index	Ordering No.	Beskrivelse (mærknader)		
		<b>* FREMDRIFTS-ENHET</b>	<b>DRIVE ASSEMBLY</b>	
1	280405	MOTOR	MOTOR	50HZ 60HZ
2	306775	SKJERM	SCREEN	
3	302645	KLAMMER	BRACKET, SUPPORT, MOTOR	
4	262984	SKRUE	SCREW, PLATE, 5/8" NO. 6 PAN HD, BLACK	
5	346854	SKRUE	SCREW, 3.5 X 6.3 MM HEX HD, WITH COLLAR	
6	994158	DRIVHJUL	PULLEY, DRIVE, 50 HZ	
	994159	DRIVHJUL	PULLEY, DRIVE, 60 HZ	
7	994111	SVINGHJUL (PARVIS TILPASSET, OG MED INDEKS 8)	FLYWHEEL SUPPLIED AS MATCHED PAIR AND WITH INDEX 8)	
8	994183	RING	BELT, DRIVE, RUBBER	WIND REWIND, NEW TYPE REWIND
9	371422	SKIVE	WASHER, 5.3 X 2.4 X 0.2 MM	
10	284823	MOTOR	MOTOR	
11	375086	MOTOR	MOTOR	
	284823	MOTOR	MOTOR	
12	269255	SKRUE	SCREW, 3 X 4 MM PAN HD	
13	319506	BRND	STRAP, PLASTIC	
14	994113	AKSEL (LEV, M/INDEX 15)	SPINDLE, TAPE REEL (SUPPLIED WITH INDEX 15)	
15	213826	RING	RING, RETAINING, EXTERNAL, 6 MM	
16	300001	RING	BELT, DRIVE, RUBBER	
17	286597A	BRACKET	BRACKET, SUPPORT, COUNTER	L1, L2, START SOLENOID
18	280132	TELLER	COUNTER	
19	994184	TREKKMAGNET	SOLENOID	
20	303981	ANKER	ARMATURE, SOLENOID	
21	264212A	SKRUE	SCREW, NYLON	
22	995101	KLAMMER	BRACKET	
23	302300	KLAMMER	BRACKET	
24	300942A	HYLSE	HOUSING, RUBBER	
25	202684	KLAMMER	CLAMP, CABLE, NYLON, 5 MM	

Motor board assembly



SPECIFY THIS WHEN ORDERING				
Index	Ordering No.	Beskrivelse (merknader)	Description (notes)	Reference
1	*	MOTORPLATE-ENHET	MOTOR BOARD ASSEMBLY	
2	*	PLATE	PLATE, SUPPORT, MOTOR	
3	302020	AKSEL	POST, PIVOT	
4	245649	SKIVE	RING, CIRCLIP, 4 MM	
5	229824	KLIPS	CLIP	
6	301395	HYLSE	CAM, NYLON	
7	301747C	SKJERM	REFLECTOR, ILLUMINATION	
8	285720	TUBE	GROMMET, RUBBER	
9	995102	LAMPE	BULB, 14 V 80 MA	CASS. ILLUM. UP TO SERIAL NO. FROM SERIAL NO.
10	355014	PLATE	DISC, THRUST BEARING	
11	371351	SKRUE	SCREW, NYLON	
12	994117	PLATE	PLATE, MOUNTING, FLYWHEEL	
13	290842	SKRUE	SCREW, 3 X 6 MM PAN HD	
14	207173	LAGER	BEARING, 2.5 MM	
15	303622	KULE	BALL, BEARING	
16	301323	ARM	LEVER, SOLENOID	
17	300964	ARM	ARM	
18	304685	FJÅR	SPRING	
19	994112	BRACKET	BRACKET, WITH SPINDLE	
20	223675	LUDDEØRE	TAG, SOLDER, 4.2 MM	
21	346854	SKRUE	SCREW, 3.5 X 6.3 MM HEX HD, WITH COLLAR	
22	284119	VENDER	SWITCH, LEAF, N/O	MS2 MUTING, MS3 REC., MS4 CASSETTE MS1 SLIDE
23	289083	VENDER	SWITCH, LEAF, C/O, WITH BRACKET AND SCREW	
24	269255	SKRUE	SCREW, 3 X 4 MM PAN HD	
25	994122	BRACKET	BRACKET, SUPPORT, PUSH SWITCH	
26	300497	VENDER	SWITCH, PUSH	PAUSE
27	350827	HYLSE	ARM, PLASTIC	
28	301675A	ARM	LEVER, PAUSE	
29	302997	AKSEL	POST, PIVOT	
30	286051	FJÅR	SPRING	
31	995720	BRACKET	BRACKET, SUPPORT, LEAF SWITCH	
32	995136	BRACKET	BRACKET, EJECT MECHANISM, CASSETTE	
33	230542	SKIVE	RING, CIRCLIP, 2.3 MM	
34	994124	ARM	LEVER, WITH SPINDLE	
35	230363	FJÅR	SPRING	
36	285268A	ARM	LEVER	
37	230542	SKIVE	RING, CIRCLIP, 2.3 MM	
38	352385	BRACKET	BRACKET, SUPPORT, CASSETTE DRAWER	
39	218287	KLIPS	CLIP	
40	351581	STRØMPE	SLEEVE, RUBBER	
41	301668	AKSEL	SPINDLE	
42	237970	SKIVE	RING, CIRCLIP, 1.5 MM	
43	995134	BELG	BELLOWS, WITH FLAT SPRING	
44	354820	SKRUE	SCREW, 2.9 X 6.3 MM HEX HD, WITH COLLAR	
45	360129	ARM	ARM, BELLOWS	
46	234256	SKIVE	RING, CIRCLIP, 1.9 MM	
47	300490A	BRACKET	BRACKET, CASSETTE DRAWER	
48	995135	BRACKET	BRACKET, BELLOWS	
49	292875	SKRUE	SCREW, PLATE, 3/8" NO. 4 FLANGE HD	
50	234206	SKRUE	SCREW, PLATE, 3/8" NO. 4 CSK HD, BLACK	
51	289413	FJÅR	SPRING	
52	304678	TAPP	POST, PIVOT	
53	287380A	ARM	ARM	
54	365130	FJÅR	SPRING	
55	301316	AKSEL	POST, PIVOT	
56	994120	STYRING	GUIDE, CASSETTE, LEFT	
57	291791	FJÅR	(LEV. M/INDEX 56-58) (SUPPLIED WITH INDEX 56-58)	
58	299606	SKRUE	SPRING, CASSETTE DRAWER, LEFT	
59	365553	LIST	SCREW, PLATE, 3/16" NO. 2 PAN HD	
60	994121	STYRING	STRIP, FOAM RUBBER, 4.5 X 6 X 25 MM, BLACK	
61	290110	FJÅR	GUIDE, CASSETTE, RIGHT	
62	304103	ARM	(SUPPLIED WITH INDEX 57, 58 AND 60)	
63	293824	FJÅR	SPRING, CASSETTE DRAWER, RIGHT	
64			ARM	
65			SPRING	

Printed circuit boards



SPECIFY THIS WHEN ORDERING			Description (notes)	Reference
Index	Ordering No.	Beskrivelse (marknader)		
1	* 995139 995140	TK PLATER KORT KORT	PRINTED CIRCUIT BOARDS BOARD, MOTHER BOARD, MOTHER	230-240V 50Hz 115V 60Hz
2	310397	PLATE	SCREEN	
3	995138	KORT	BOARD, AMPLIFIER 1	
4	995137	KORT	BOARD, AMPLIFIER 2	
5	994197	KORT	BOARD, DOLBY	
6	994198	KORT	BOARD, OSCILLATOR	



ELECTRICAL PARTS

SPECIFY THIS WHEN ORDERING				
Index	Ordering No.	Beskrivelse (merknader)	Description (notes)	Reference
	368922	Krets	I.C. , DOLBY, NE645B	
D103	355927	Likeretter	Rectifier, B40 C3200, 6.5mm thick	
R1	281109	Pot.meter	Potentiometer, 25 Kohm	INPUT LEVEL OUTPUT LEVEL
R3+4	287264	Pot.meter	Potentiometer, 10 Kohm	
R104	265850	Pot.meter	Potentiometer, 20 Kohm	
R105	281346	Pot.meter	Potentiometer, 100 Kohm	
R135	264384	Pot.meter	Potentiometer, 50 Kohm	
R204	265850	Pot.meter	Potentiometer, 20 Kohm	
R205	281346	Pot.meter	Potentiometer, 100 Kohm	
R235	264384	Pot.meter	Potentiometer, 50 Kohm	
R317	292573	Pot.meter	Potentiometer, 25 Kohm	
R417	292573	Pot.meter	Potentiometer, 25 Kohm	
R807	265850	Pot.meter	Potentiometer, 20 Kohm	
L502	353571	Spole	Coil, 22 mH	
L602	353571	Spole	Coil, 22 mH	
L701	316920	Spole	Coil, 36 mH	
L702	316920	Spole	Coil, 36 mH	
T801	980346	Trafo	Transformer, oscillator	

**TANDBERG A/S**  
**P.O. Box 55, Bogerud**  
**N - OSLO 6 - Norway**

1722 - 2 - 80 Part No. 714133  
Printed in Norway by Tøyen-Trykk A/S