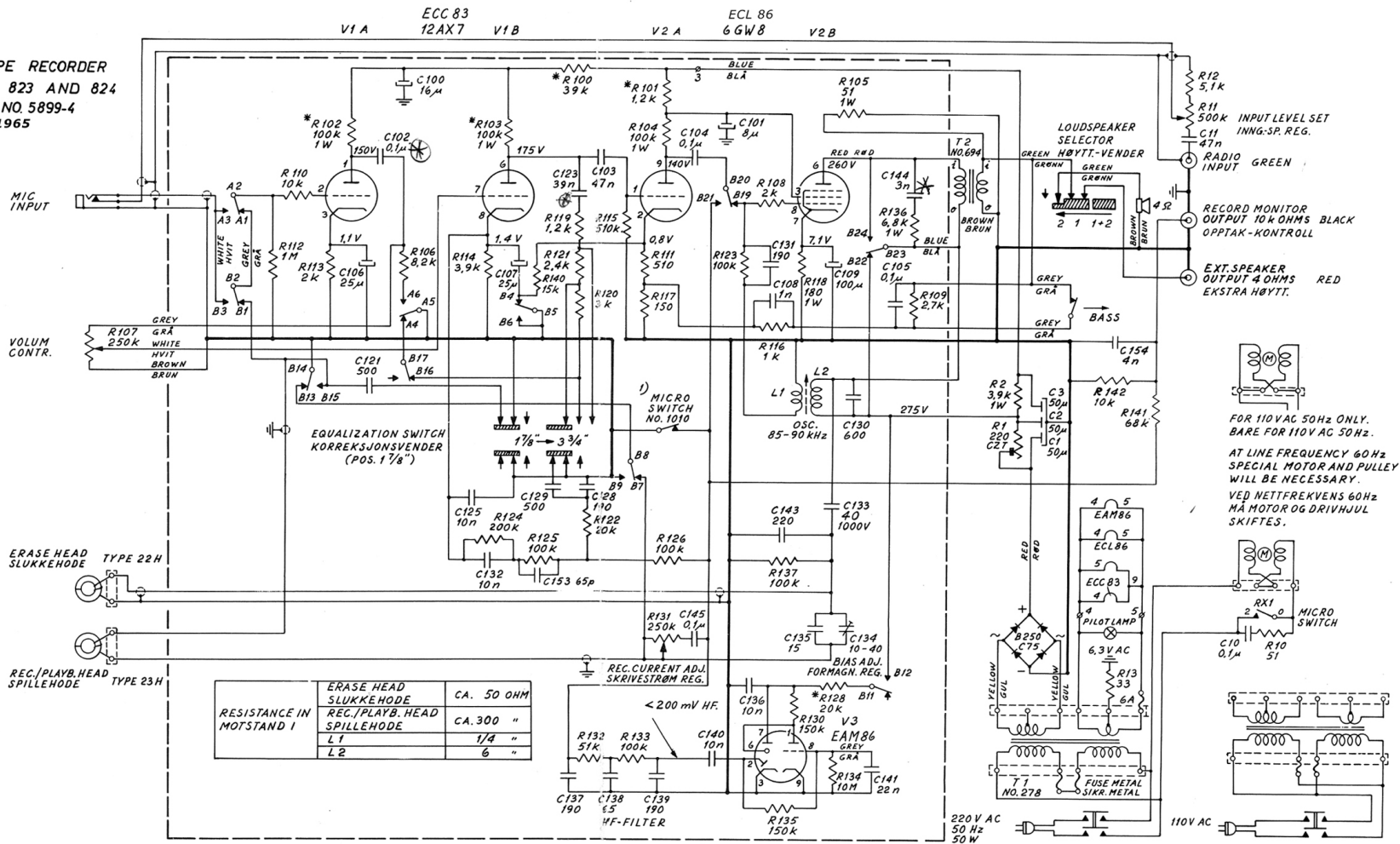
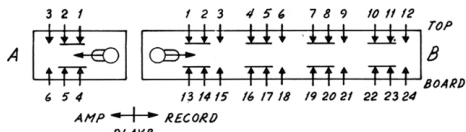


TANDBERG TAPE RECORDER
 MODEL 821, 822, 823 AND 824
 DRAWING NO 5899-4
 MARCH 1965



RESISTANCE IN MOTSTAND I	ERASE HEAD SLUKKEHODE	CA. 50 OHM
	REC./PLAYB. HEAD SPILLEHODE	CA. 300 "
	L1	1/4 "
	L2	6 "



MODE SWITCH IN POS. „PLAYB.“
 FUNKSJONSJENDER I STILLING „PLAYB.“

1) TO PREVENT DC PULSES TO PASS THROUGH THE REC./PLAYB. HEAD, THIS MICRO SWITCH MUST SHORTCIRCUIT BEFORE ANY OTHER CONTACTS ARE MADE WHEN THE B SWITCH MOVES FROM „RECORD“ TO „PLAYBACK“.

FOR Å HINDRE AT LIKESTRØMPULSER PÅSERER GJENNOM SPILLEHODET, SKAL MICRO-BRYTEREN KORTSLUTTE FØR NOEN ANNEN KONTAKTDANNELSE INNTREFFER NÅR VENDER B BEVEGER SEG FRA „RECORD“ MOT „PLAYBACK“.

RESISTORS INDICATED IN OHMS.
 K = 1,000 OHMS.
 M = 1,000,000 OHMS.
 * = DEPOSITED CARBON RESISTORS.
 TOLERANCES ± 10% UNLESS OTHERWISE SPECIFIED.

MOTSTANDER
 ANGIT I OHM
 K = 1,000 OHM
 M = 1,000,000 OHM
 * = KULLSKIKTMOTSTAND
 TOLERANSE ± 10% HVIS IKKE ANNET ANGIT

CAPACITORS INDICATED IN μμF FARADS UNLESS OTHERWISE SPECIFIED.
 n = 1,000 μμF.
 TOLERANCES ± 20%.

KONDENSATORER
 ANGIT I μμF FARAD HVIS IKKE ANNET ANGIT.
 n = 1,000 μμF
 TOLERANSE ± 20%

FOR 110V AC 50Hz ONLY.
 BARE FOR 110V AC 50Hz.
 AT LINE FREQUENCY 60Hz
 SPECIAL MOTOR AND PULLEY
 WILL BE NECESSARY.
 VED NETTFREKVENNS 60Hz
 MÅ MOTOR OG DRIVHJUL
 SKIFTES.