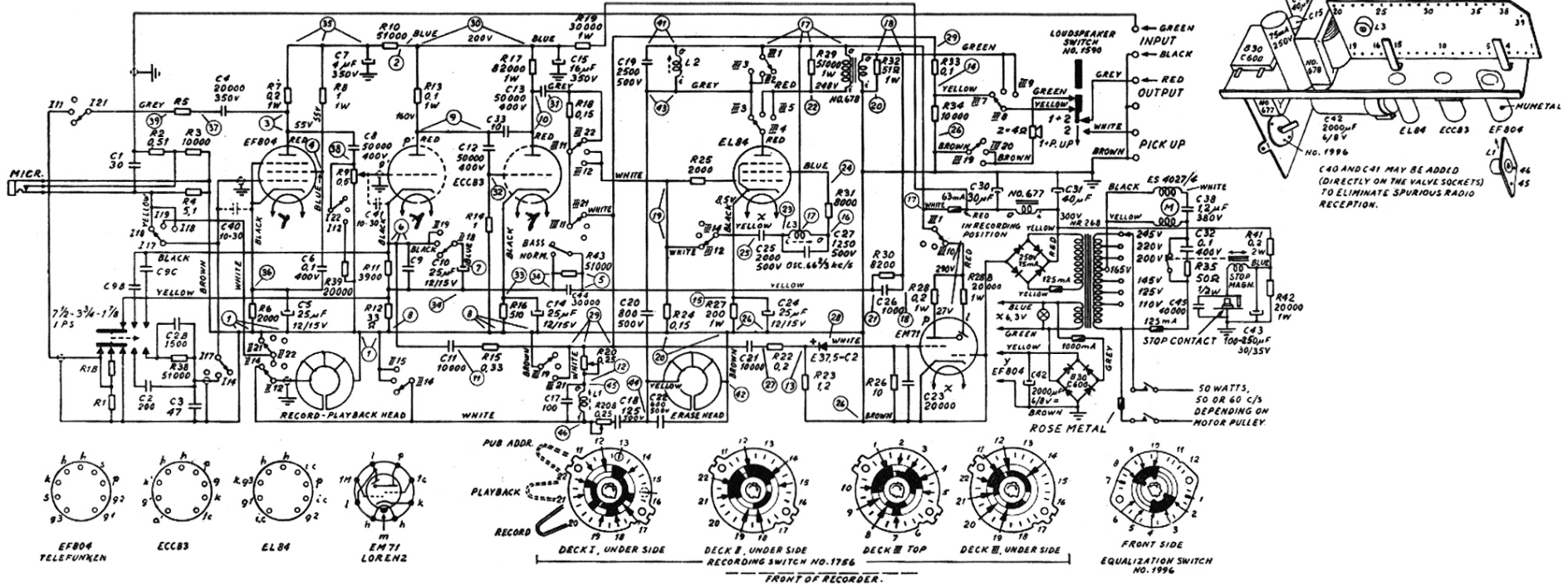


TANDBERG TAPE RECORDER
MODEL 3B (mono)

DRAWING NO. 2144



8. ADDITIONAL DESCRIPTION OF MODEL 3B.

The driving mechanism of model 3B is identical with the mechanism of model 3 Stereo. Fig. 30 shows the circuit diagram of model 3B. The amplifier is almost identical with the amplifier for upper track in model 3 Stereo with exception of the special features which are necessary in connection with the stereo — monaural switch. The electrical description of the amplifier for upper track therefore also goes for model 3B, with exception of the two following points.

1. The output switch connects in the left position (seen from front of the recorder) the output transformer to both the output termi-

nals and the monitor speaker. In the mid position the output transformer is only connected to the output terminals. In the right position the output transformer is connected to the monitor speaker, while the terminals marked P.U. are connected to the output terminals. This is done to ease the use when both the tape recorder and a record-player are intended to be played back through the same external amplifier (or radio set). To do this, one connects the output from the record-player to the terminals marked P.U. and the output terminals to the input of the external amplifier. When playing tape recordings, the output switch is placed in mid position (or in the left position if it is

desired to listen simultaneously to the monitor speaker). When playing records, the output switch is placed in the right position.

2. In the record position the loudspeaker and output transformer are disconnected from the output terminals and these get signal from the second plate of the ECC83 via a voltage divider R₃₃—R₃₄ (1 Mohm—10 Kohms), thus giving opportunity to monitor the recorded program through headphones or an external amplifier. The output impedance is 10 Kohms. Because of the great value of R₃₃ the output terminals can be shorted without affecting the recorded program.

EQUALIZATION COMPONENTS	7 1/2" pr. REC.		3 3/4" pr. REC.		1 7/8" pr. REC.	
	PLAYB. R 5	REC. C 9	PLAYB. R 18	REC. C 9B	PLAYB. R 1	REC. C 9C
NARTB-STANDARD	2400-3300	5000-10000	13000-20000	5000-10000	18000-20000	40000-200000
CCIR-STANDARD	5000-6000	2000-4000	7500-16000	8000-16000	20000-160000	40000-200000
NARTB-STANDARD FOR MAINS FREQUENCY 60 c/s						
CCIR-STANDARD FOR MAINS FREQUENCY 50 c/s						