

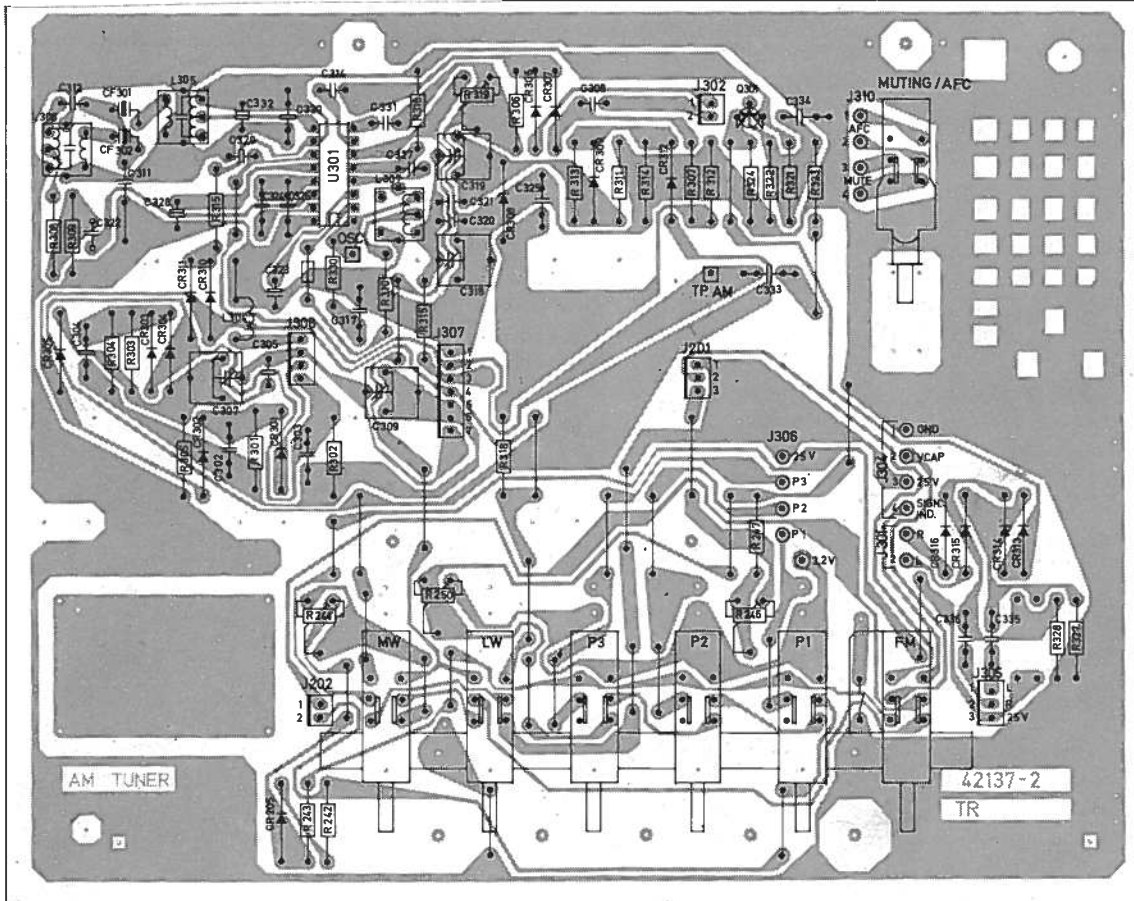
TANDBERG

TR2060L

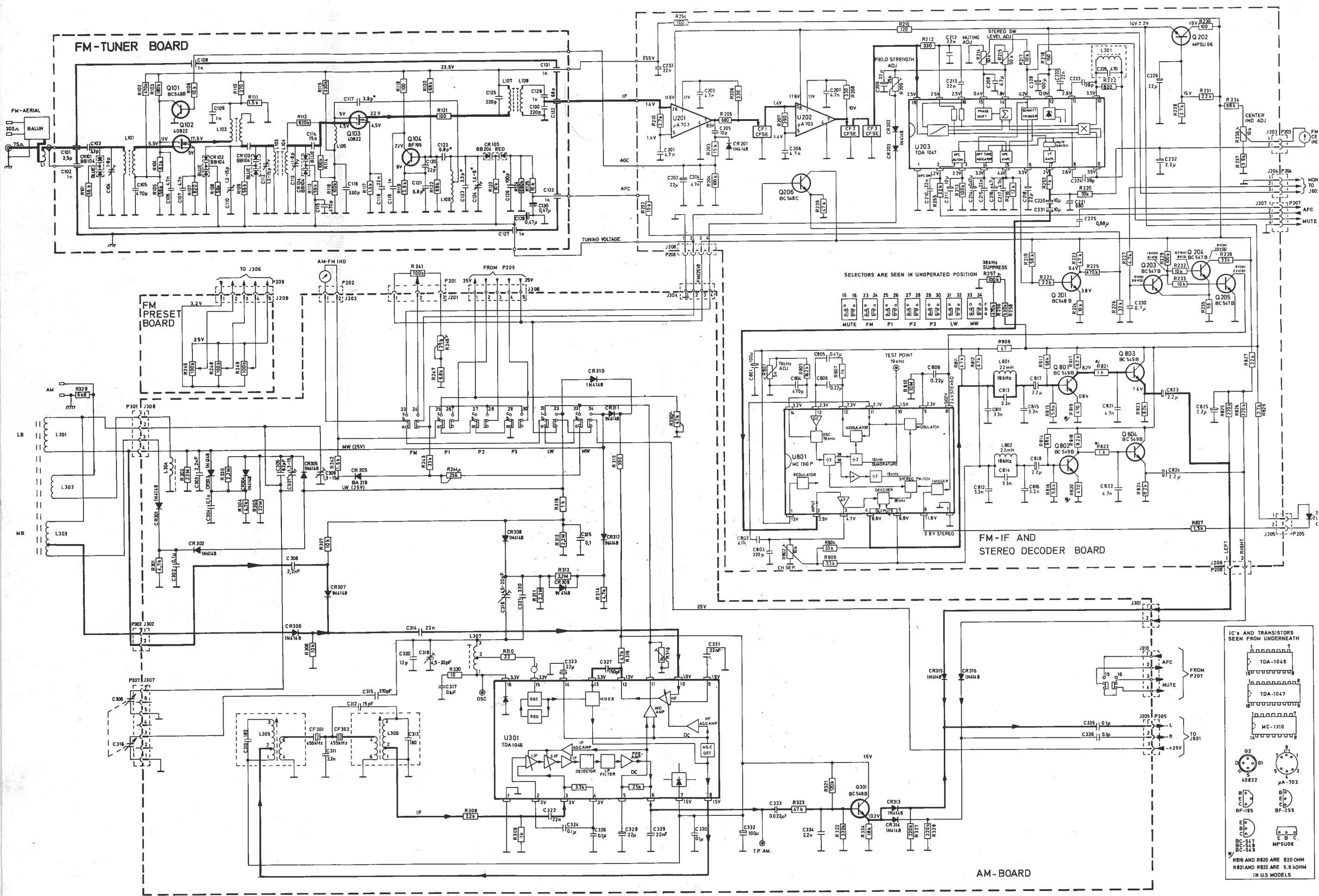
Circuit diagrams

Tandberg of America
(914) 273-6516

AM-TUNER



Seen from the solder side



FM-TUNER BOARD

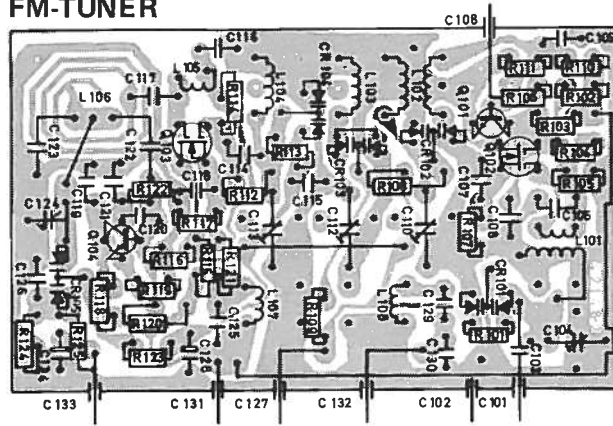
FM PRESET BOARD

FM-IF AND STEREO DECODER BOARD

AM-BOARD

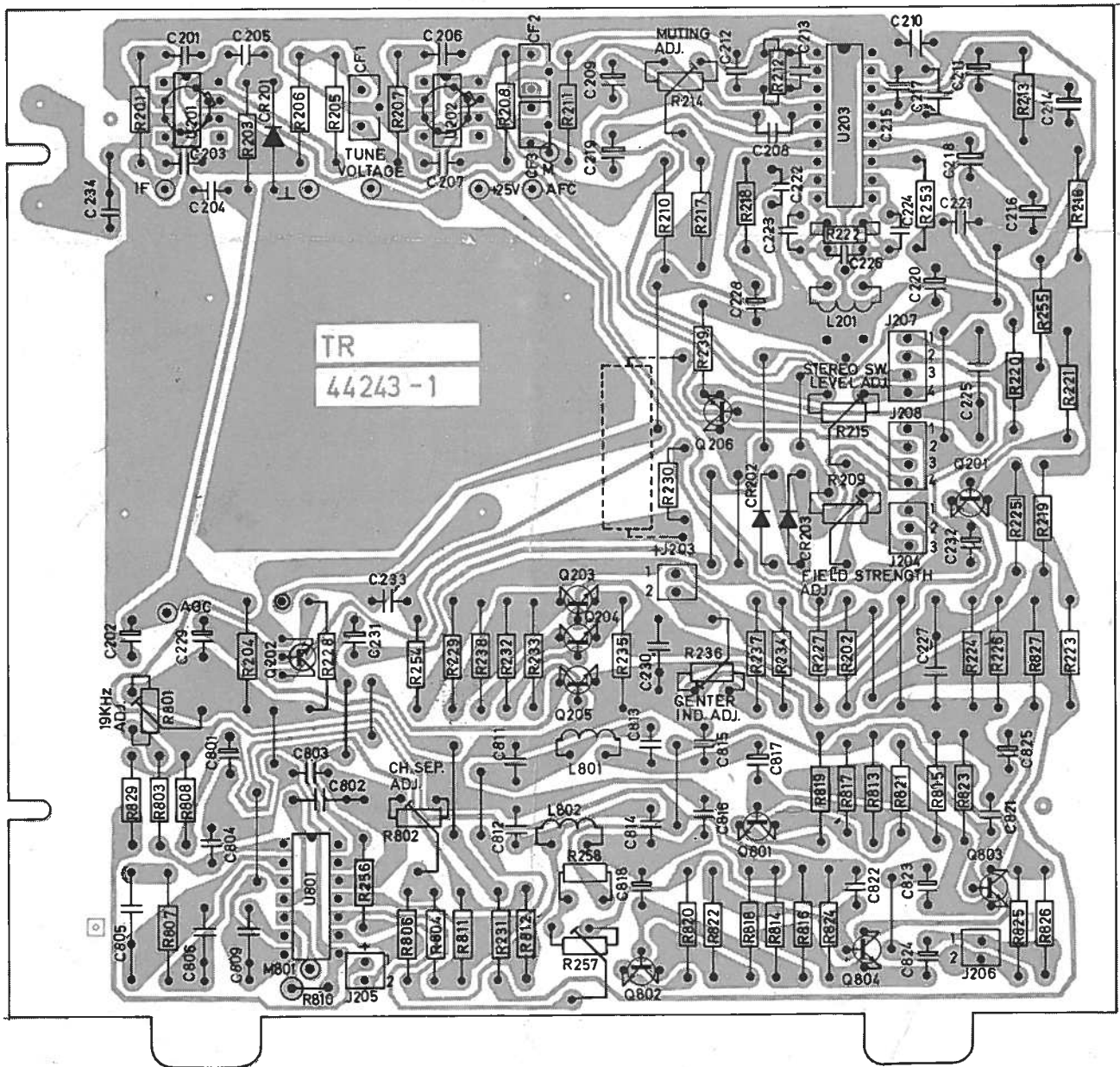
- IC'S AND TRANSISTORS SEEN FROM UNDERNEATH
- TDA-1046
 - TDA-1047
 - MC-1310
 - Q101, Q102, Q103, Q104: 40822
 - Q201, Q202, Q203, Q204, Q205: μ A-703
 - CR101, CR102, CR103, CR104, CR105, CR106, CR107, CR108, CR109, CR110, CR111, CR112, CR113, CR114, CR115, CR116, CR117, CR118, CR119, CR120, CR121, CR122, CR123, CR124, CR125, CR126, CR127, CR128, CR129, CR130, CR131, CR132, CR133, CR134, CR135, CR136, CR137, CR138, CR139, CR140, CR141, CR142, CR143, CR144, CR145, CR146, CR147, CR148, CR149, CR150, CR151, CR152, CR153, CR154, CR155, CR156, CR157, CR158, CR159, CR160, CR161, CR162, CR163, CR164, CR165, CR166, CR167, CR168, CR169, CR170, CR171, CR172, CR173, CR174, CR175, CR176, CR177, CR178, CR179, CR180, CR181, CR182, CR183, CR184, CR185, CR186, CR187, CR188, CR189, CR190, CR191, CR192, CR193, CR194, CR195, CR196, CR197, CR198, CR199, CR200, CR201, CR202, CR203, CR204, CR205, CR206, CR207, CR208, CR209, CR210, CR211, CR212, CR213, CR214, CR215, CR216, CR217, CR218, CR219, CR220, CR221, CR222, CR223, CR224, CR225, CR226, CR227, CR228, CR229, CR230, CR231, CR232, CR233, CR234, CR235, CR236, CR237, CR238, CR239, CR240, CR241, CR242, CR243, CR244, CR245, CR246, CR247, CR248, CR249, CR250, CR251, CR252, CR253, CR254, CR255, CR256, CR257, CR258, CR259, CR260, CR261, CR262, CR263, CR264, CR265, CR266, CR267, CR268, CR269, CR270, CR271, CR272, CR273, CR274, CR275, CR276, CR277, CR278, CR279, CR280, CR281, CR282, CR283, CR284, CR285, CR286, CR287, CR288, CR289, CR290, CR291, CR292, CR293, CR294, CR295, CR296, CR297, CR298, CR299, CR300, CR301, CR302, CR303, CR304, CR305, CR306, CR307, CR308, CR309, CR310, CR311, CR312
 - Q301: BC548B
 - Q801, Q802, Q803, Q804, Q805, Q806, Q807, Q808, Q809, Q810, Q811, Q812, Q813, Q814, Q815, Q816, Q817, Q818, Q819, Q820, Q821, Q822, Q823, Q824, Q825, Q826, Q827, Q828, Q829, Q830, Q831, Q832, Q833, Q834, Q835, Q836, Q837, Q838, Q839, Q840, Q841, Q842, Q843, Q844, Q845, Q846, Q847, Q848, Q849, Q850, Q851, Q852, Q853, Q854, Q855, Q856, Q857, Q858, Q859, Q860, Q861, Q862, Q863, Q864, Q865, Q866, Q867, Q868, Q869, Q870, Q871, Q872, Q873, Q874, Q875, Q876, Q877, Q878, Q879, Q880, Q881, Q882, Q883, Q884, Q885, Q886, Q887, Q888, Q889, Q890, Q891, Q892, Q893, Q894, Q895, Q896, Q897, Q898, Q899, Q900, Q901, Q902, Q903, Q904, Q905, Q906, Q907, Q908, Q909, Q910, Q911, Q912, Q913, Q914, Q915, Q916, Q917, Q918, Q919, Q920, Q921, Q922, Q923, Q924, Q925, Q926, Q927, Q928, Q929, Q930, Q931, Q932, Q933, Q934, Q935, Q936, Q937, Q938, Q939, Q940, Q941, Q942, Q943, Q944, Q945, Q946, Q947, Q948, Q949, Q950, Q951, Q952, Q953, Q954, Q955, Q956, Q957, Q958, Q959, Q960, Q961, Q962, Q963, Q964, Q965, Q966, Q967, Q968, Q969, Q970, Q971, Q972, Q973, Q974, Q975, Q976, Q977, Q978, Q979, Q980, Q981, Q982, Q983, Q984, Q985, Q986, Q987, Q988, Q989, Q990, Q991, Q992, Q993, Q994, Q995, Q996, Q997, Q998, Q999, Q1000
- R819 AND R820 ARE 820 OHM
R821 AND R822 ARE 5.6 KOHM
IN US MODELS

FM-TUNER

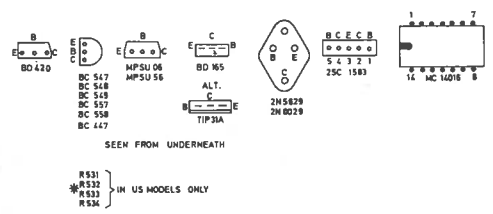
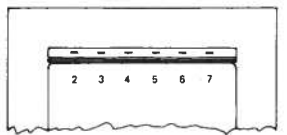


Seen from the solder side

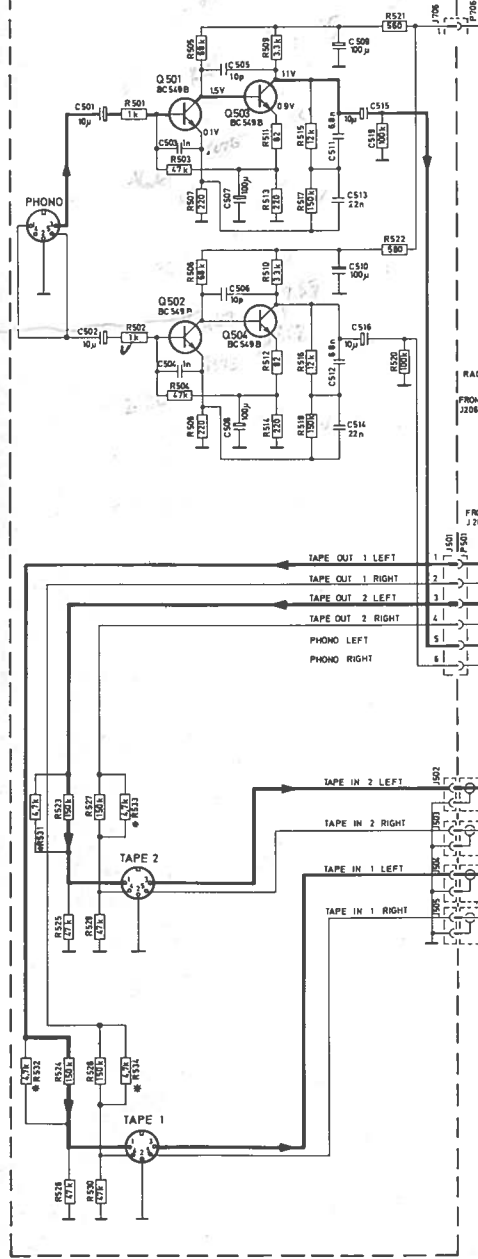
MF-IF/DECODER



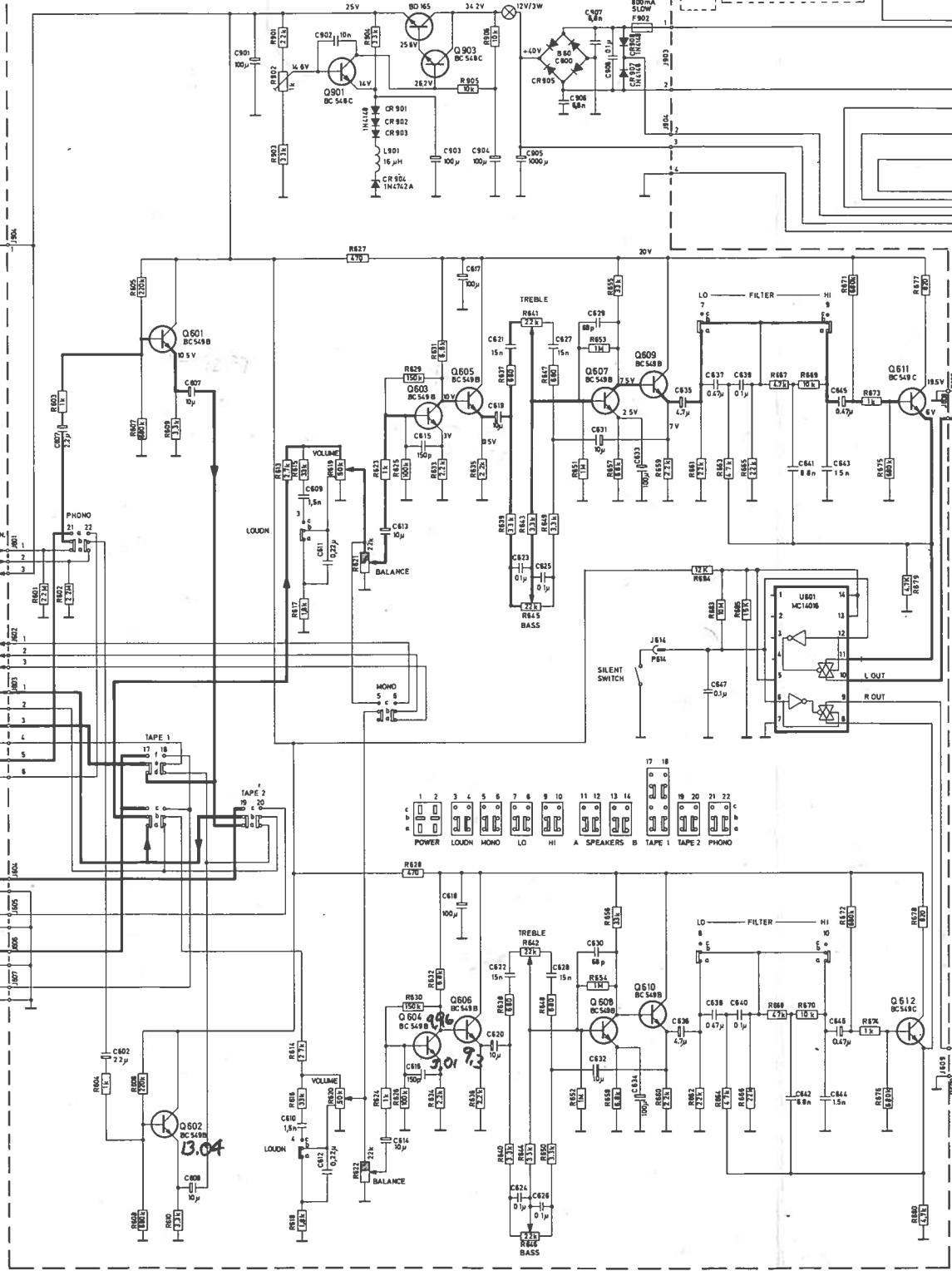
Seen from the solder side



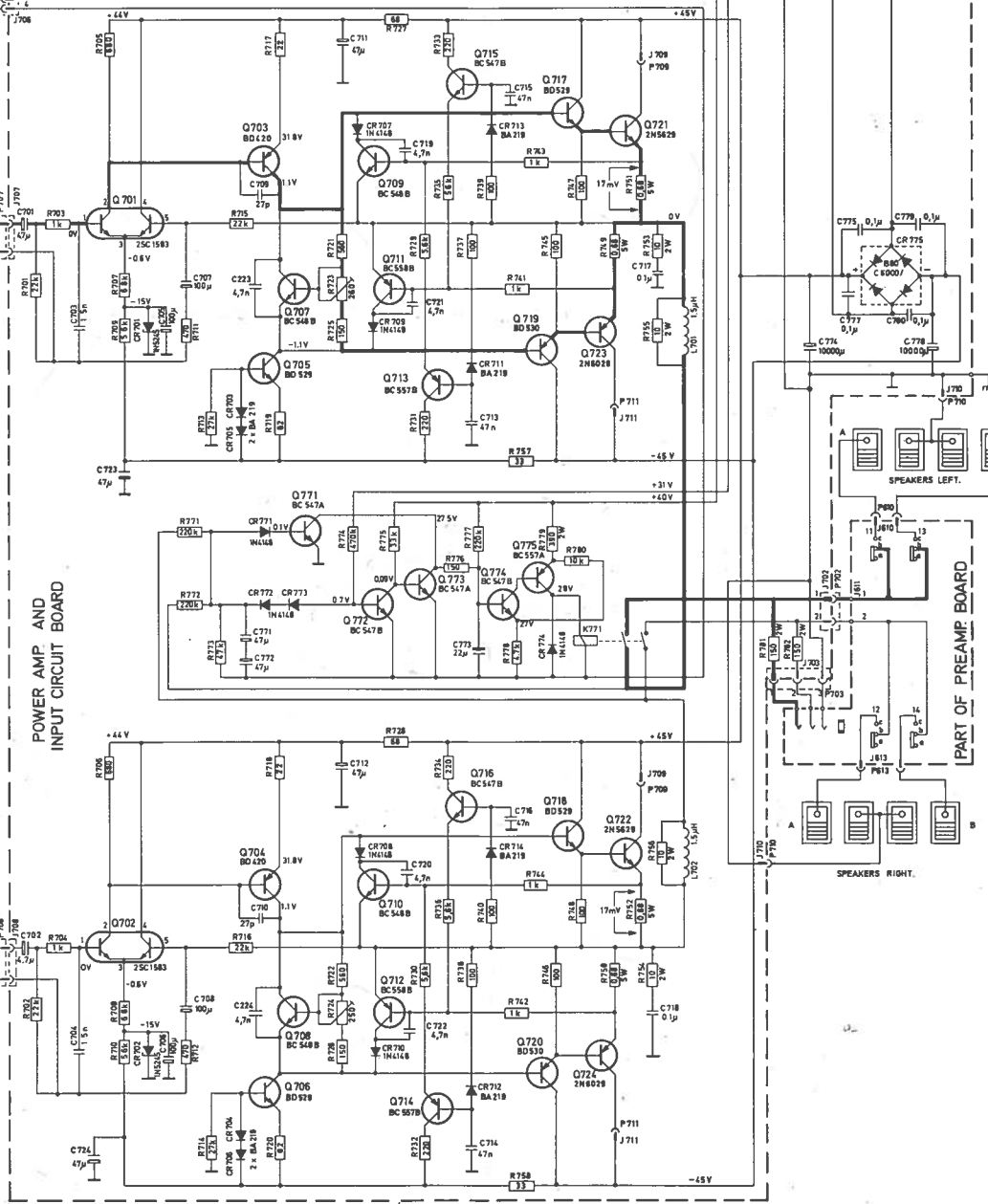
POWER AMP. AND INPUT CIRCUIT BOARD



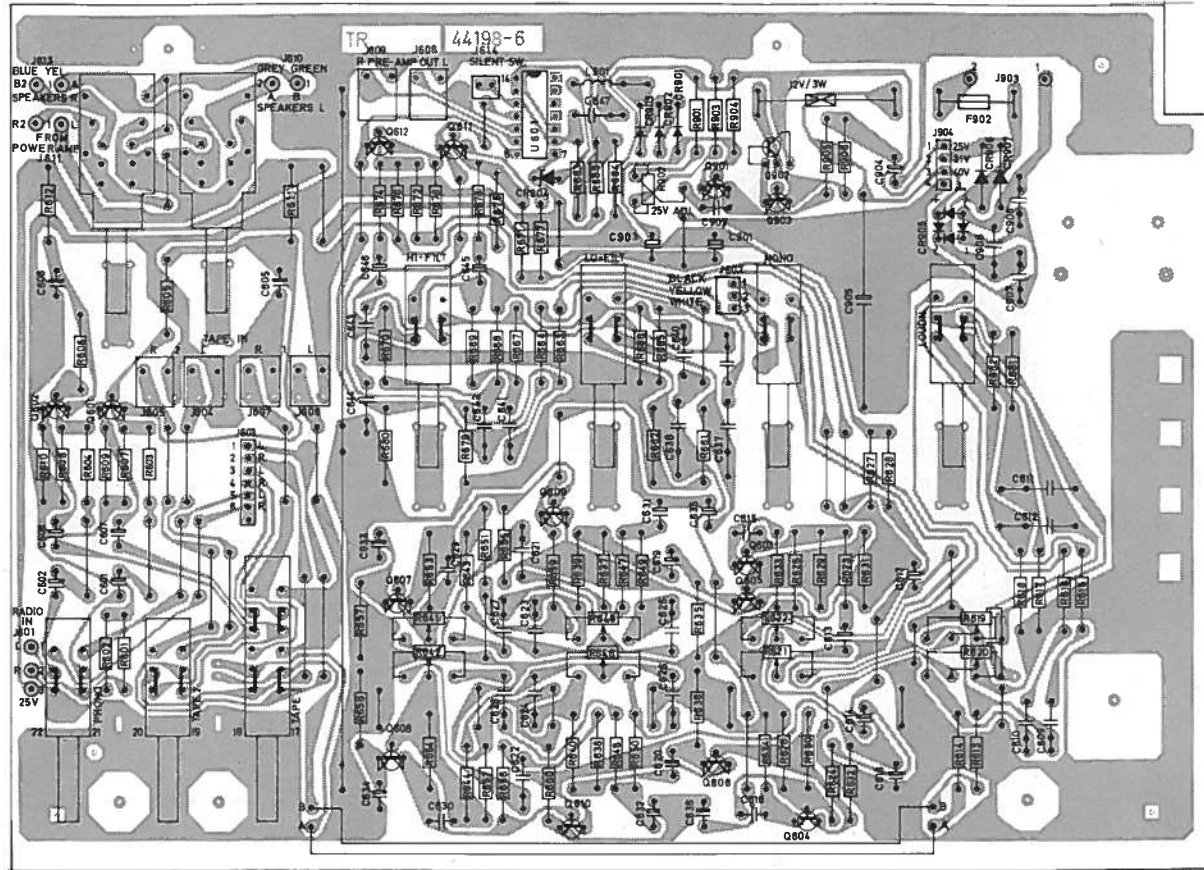
PREAMP. BOARD



POWER AMP. AND INPUT CIRCUIT BOARD

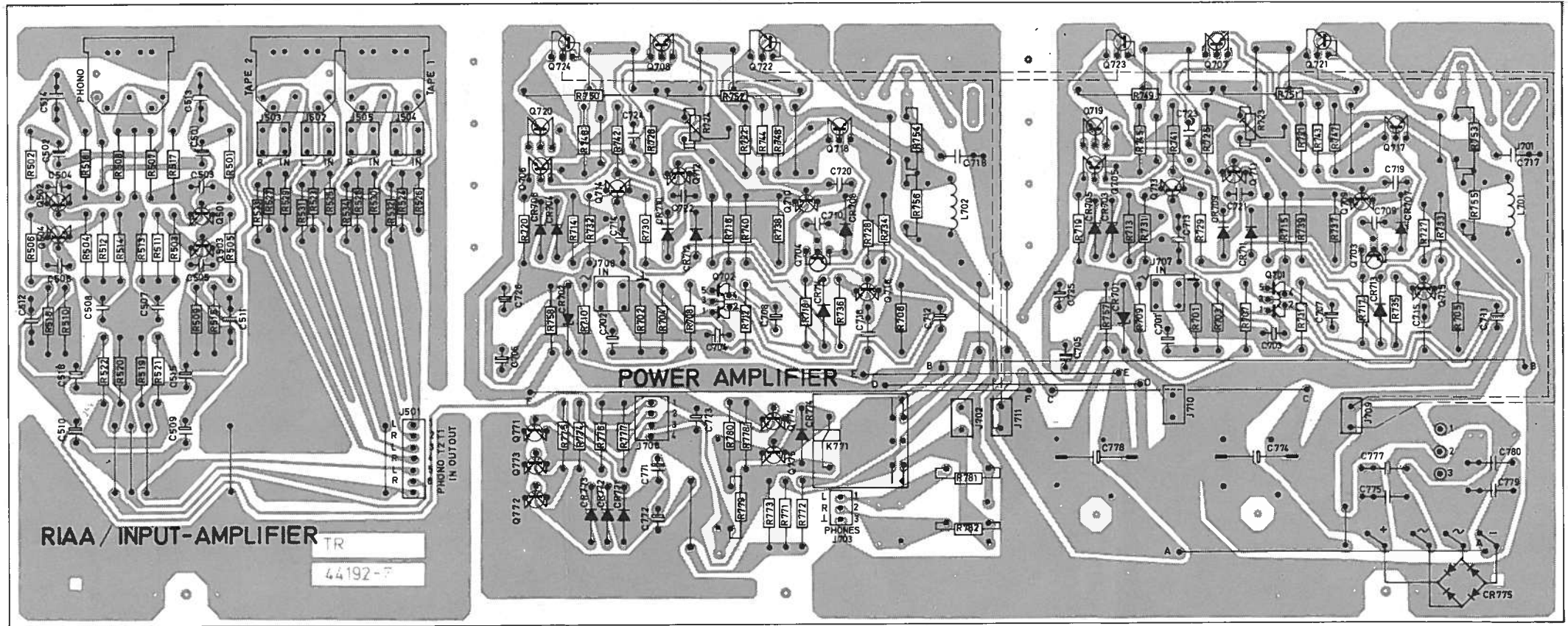


PRE-AMPLIFIER



Seen from the solder side

RIAA/INPUT-AMPLIFIER, POWER-AMPLIFIER



Seen from the solder side