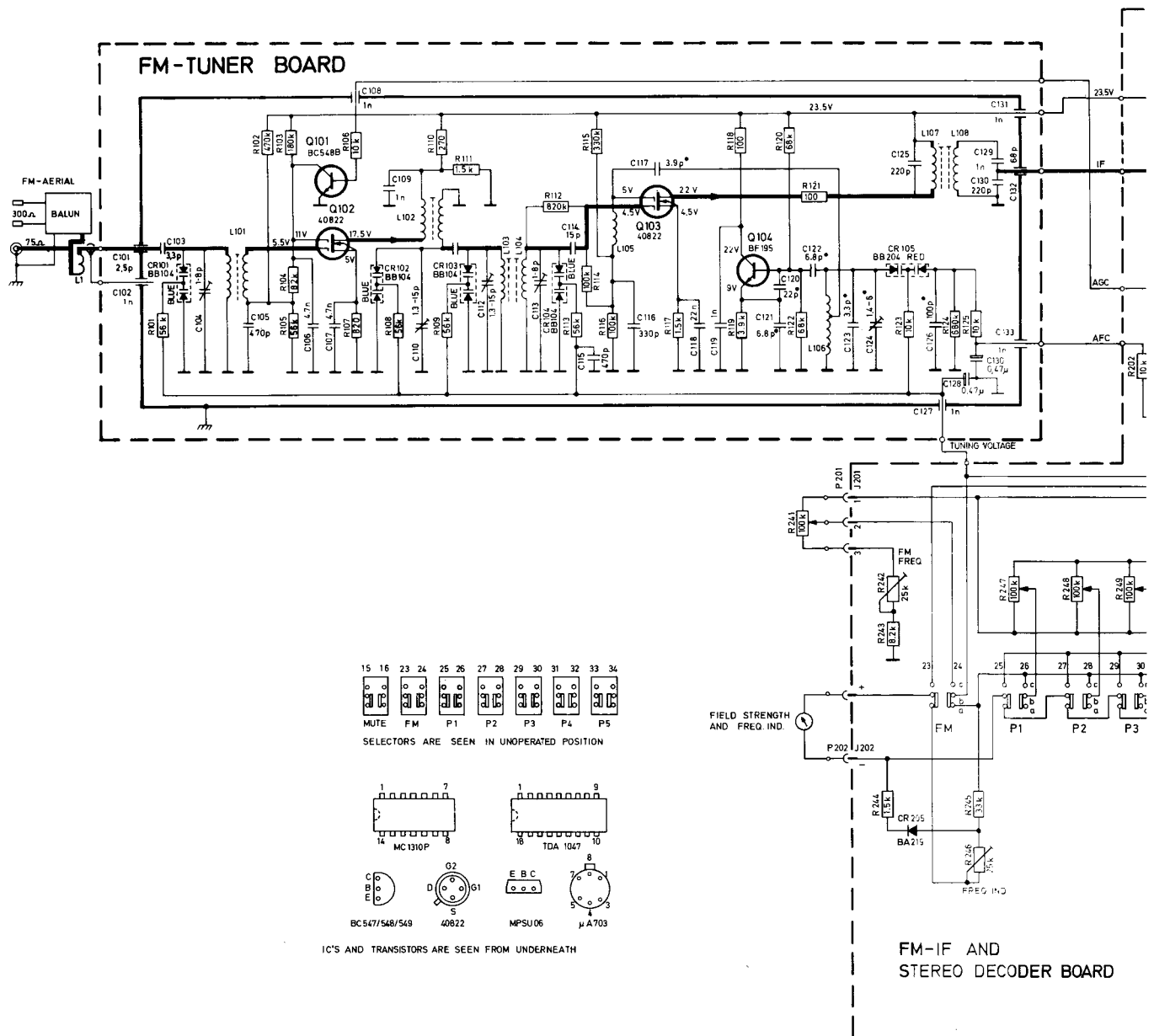
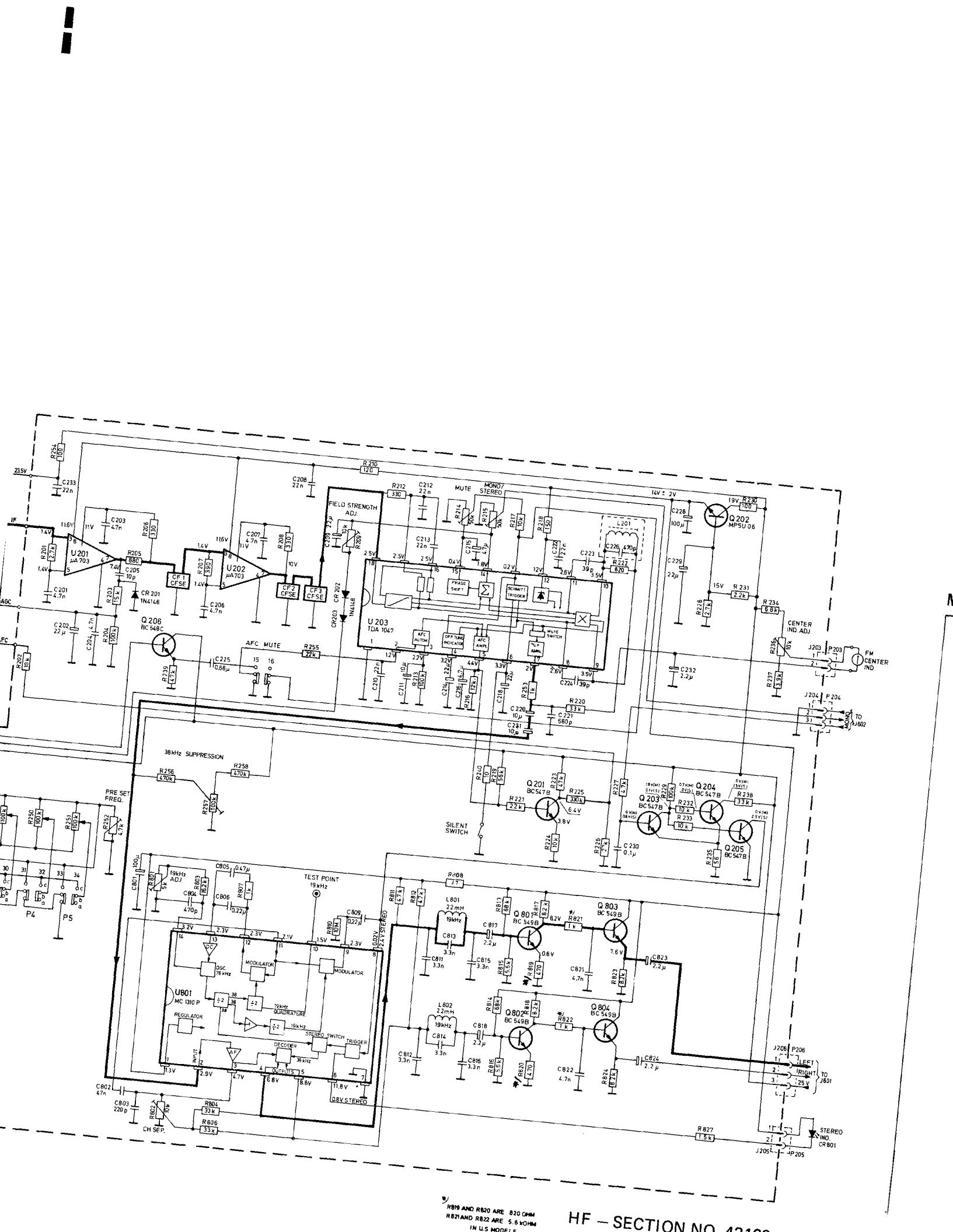


TANDBERG

TR2045

Circuit diagrams

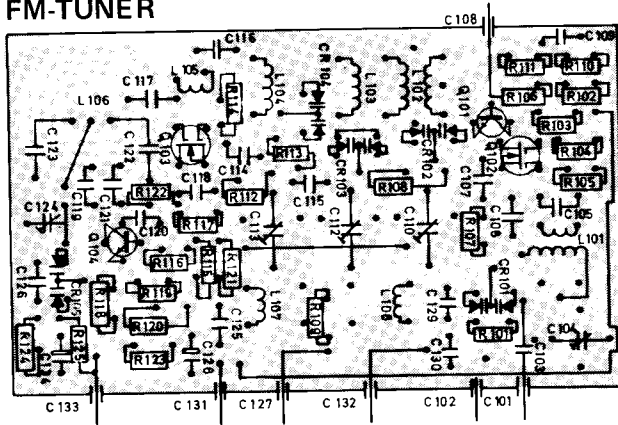




R819 AND R820 ARE 820 OHM
 R821 AND R822 ARE 5.6 K OHM
 IN U.S. MODEL 1

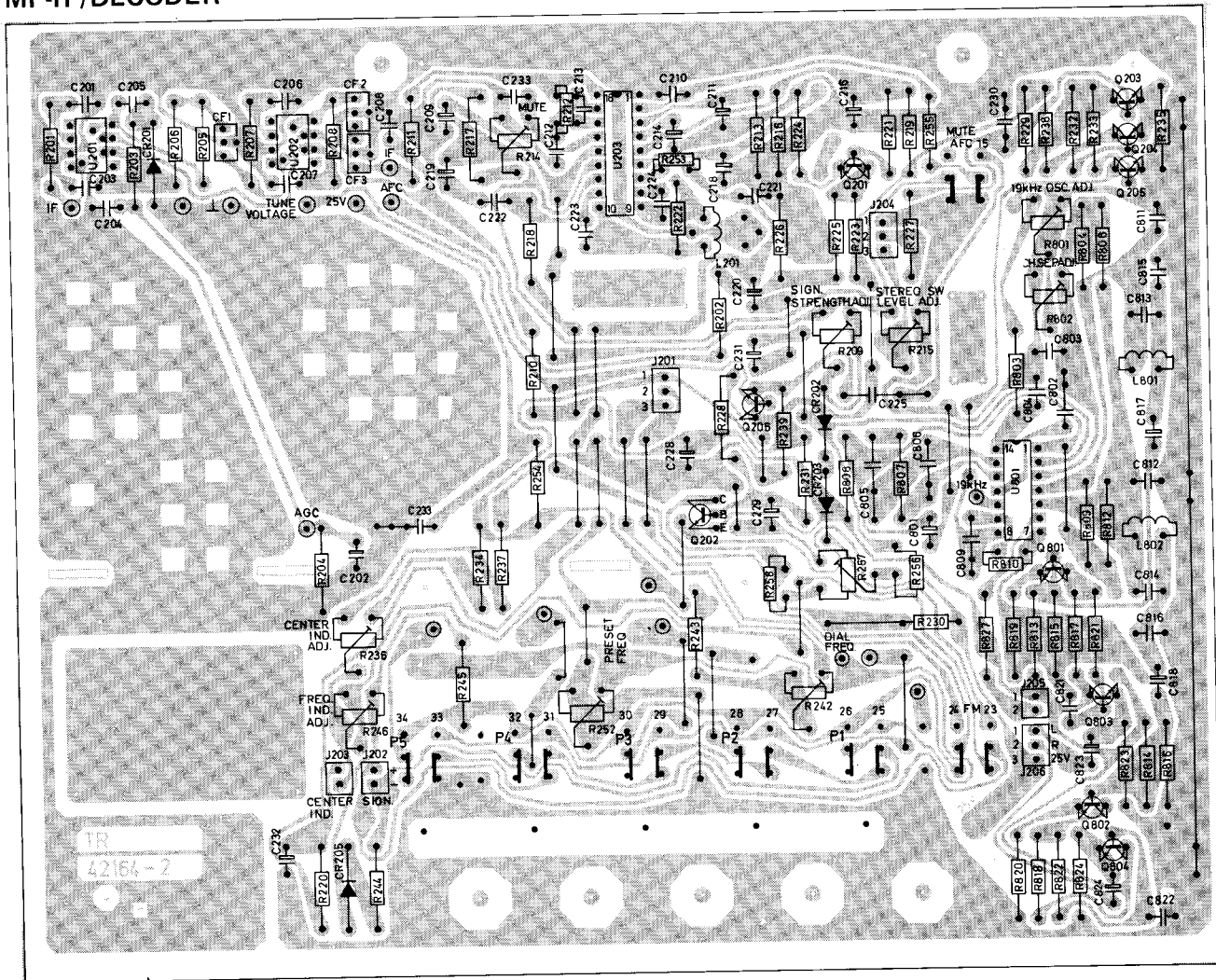
HF - SECTION NO. 42100

FM-TUNER

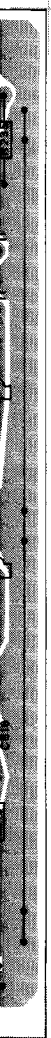


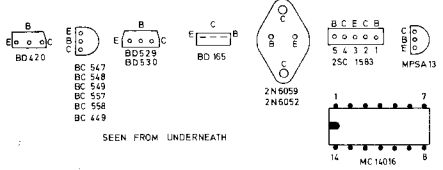
Seen from the solder side

MF-IF/DECODER



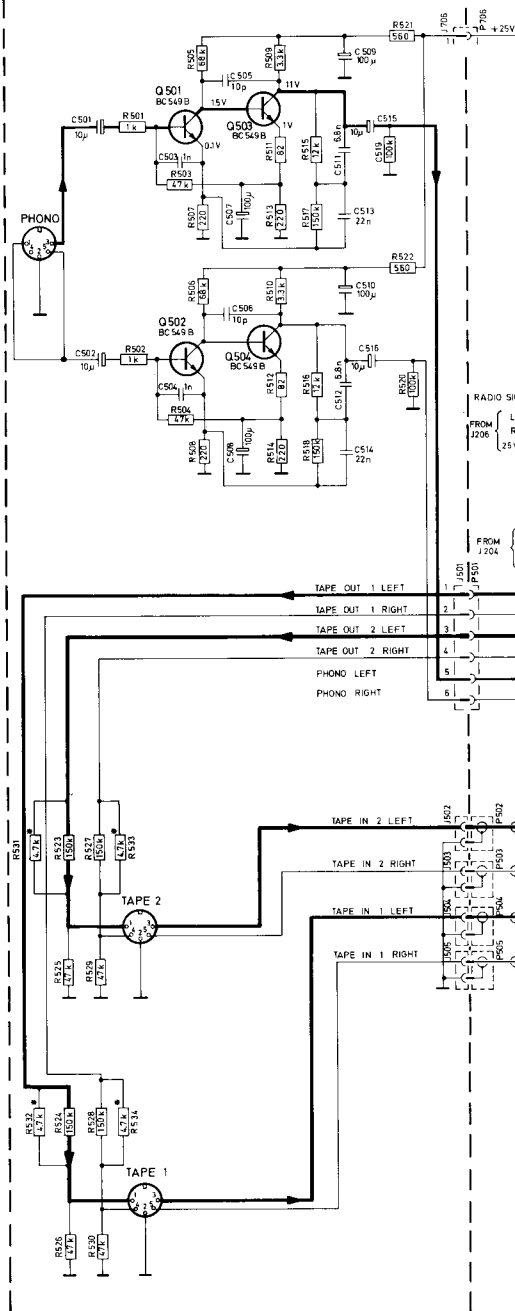
Seen from the solder side



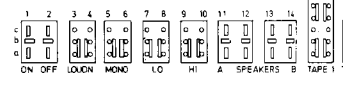
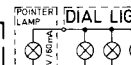
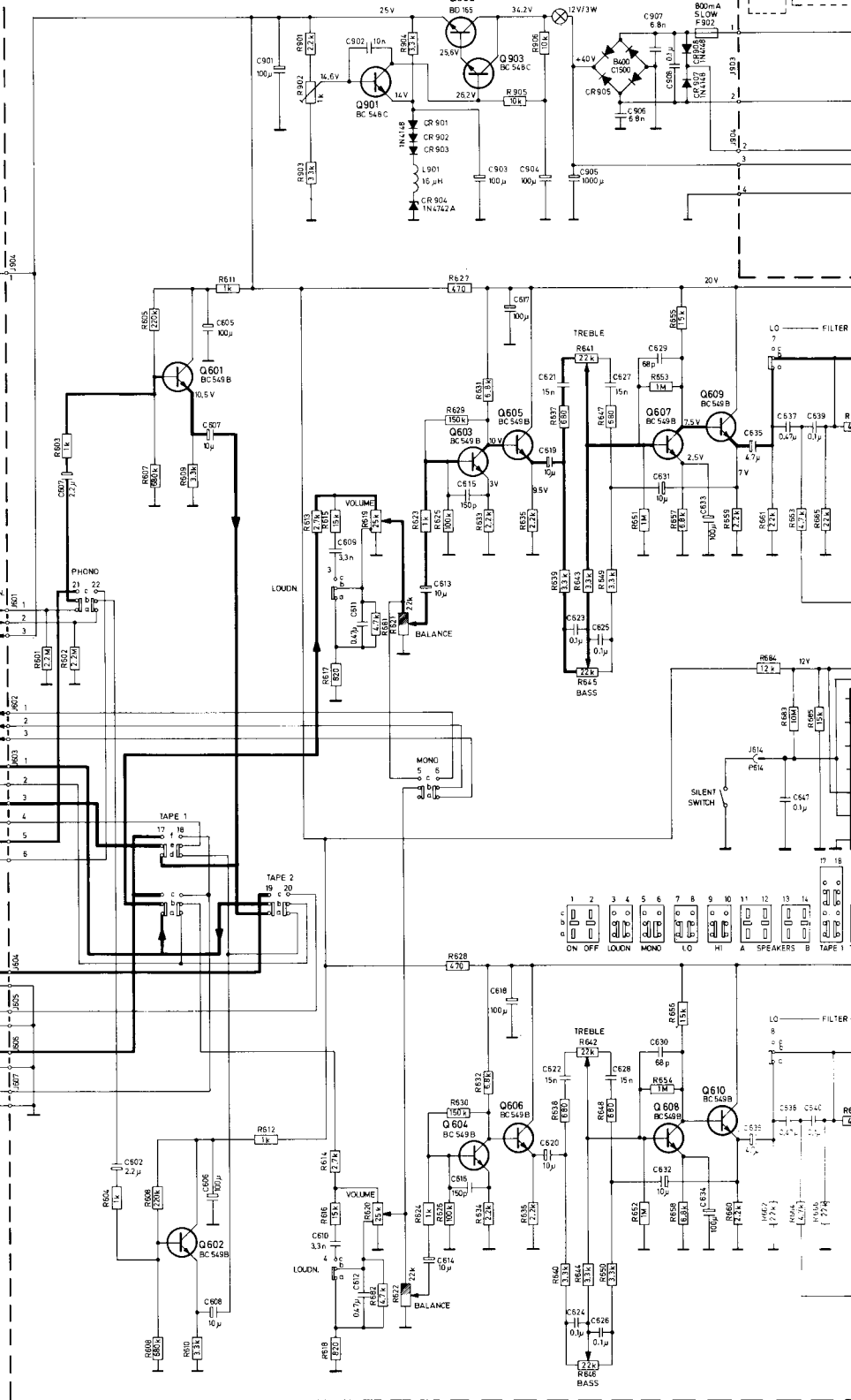


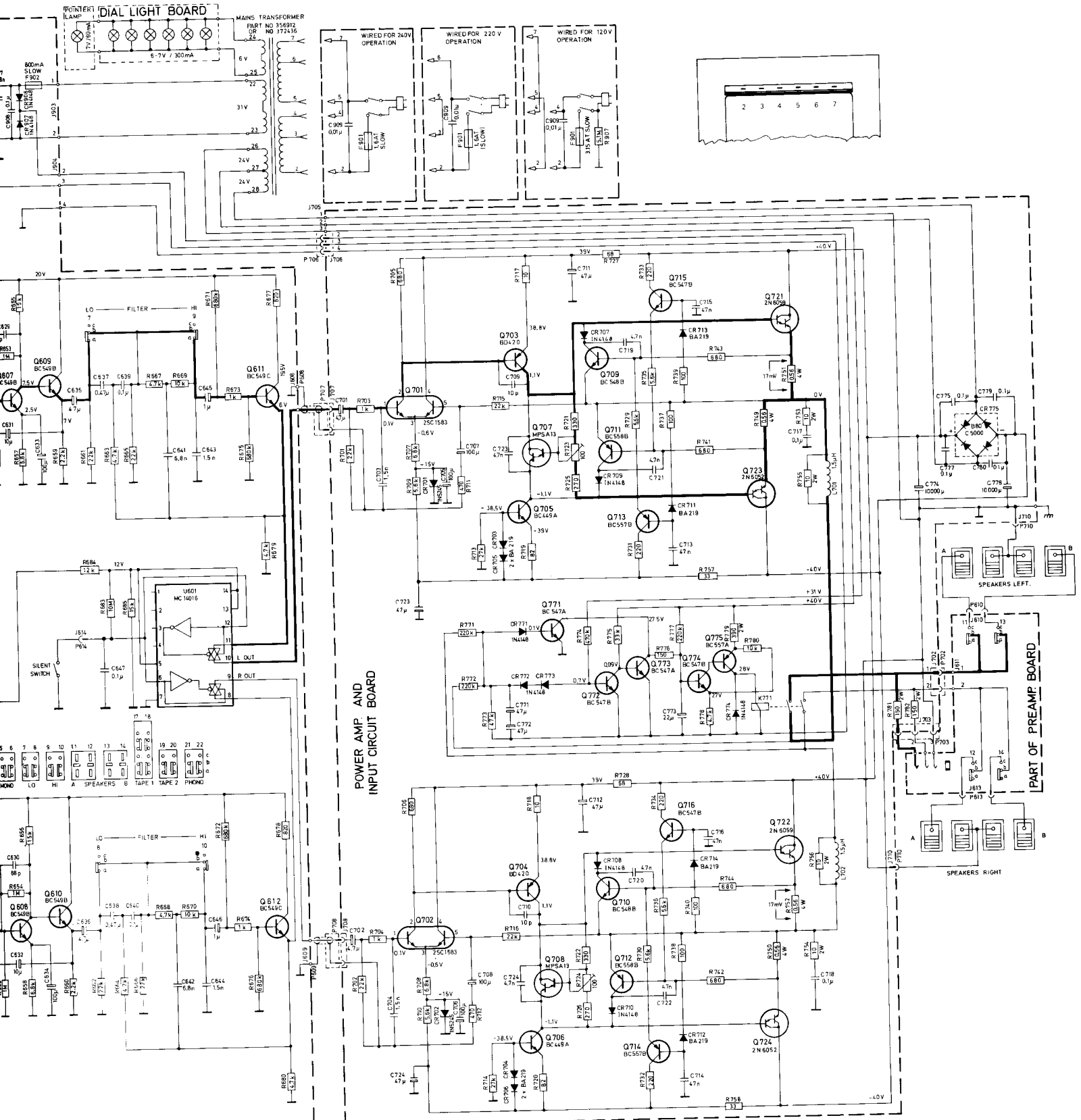
R531
 R532
 R533
 R534
 IN US MODELS ONLY.

POWER AMP. AND INPUT CIRCUIT BOARD

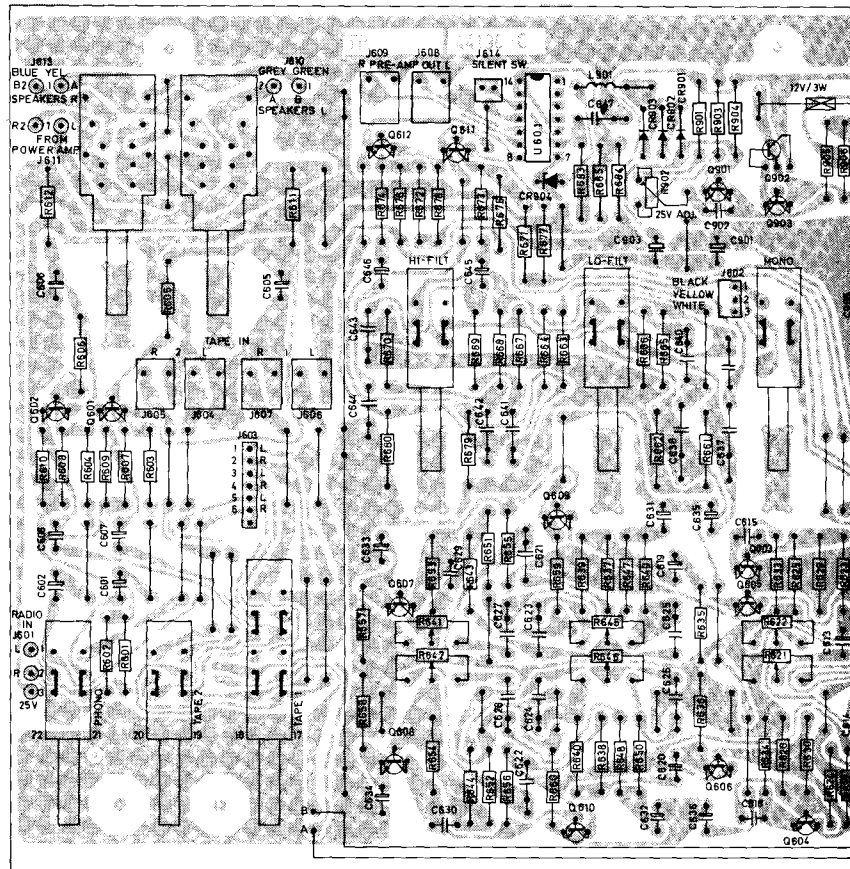


PREAMP. BOARD



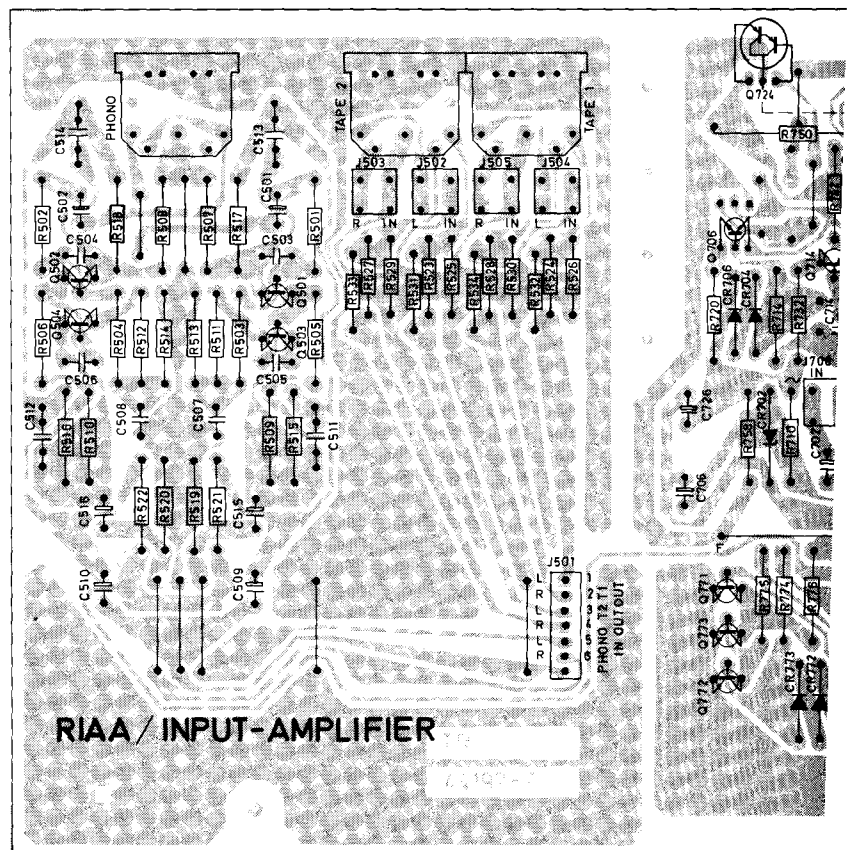


PRE-AMPLIFIER



Seen from the solder side

RIAA/INPUT-AMPLIFIER, POWER-AMPLIFIER



Seen from the solder side

