

TANDBERG® Programable FM Tuner 3001 Illustrated Parts List

Bestilling av deler

Ved alle henvendelser, vennligst oppgi apparatets type og serienummer.
Ved bestilling av deler, oppgi bestillingsnummer og beskrivelse.

Bestillingsadresse

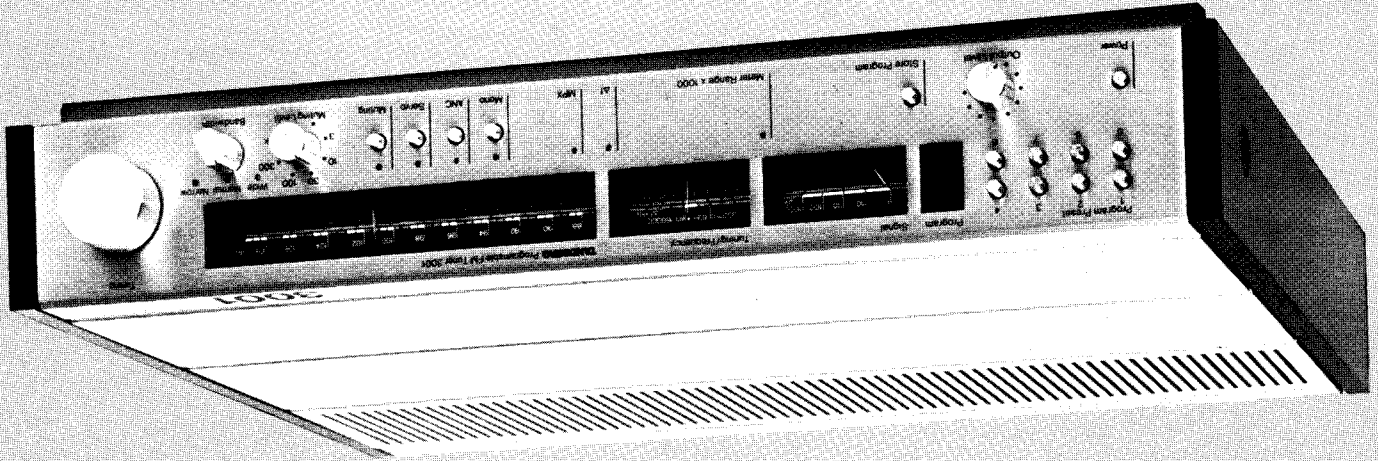
Kontakt nærmeste Tandberg-kontor eller:
Tandberg A/S
Sentral Dellager - Service
Postboks 53
N - 2007 KJELLER - Norge
Telefon: (02) 71 68 20
Telex: 18007 kurer n

Ordering of spare parts

For all enquiries, please state the set's type and serial number.
When ordering, give the part's order number and description.

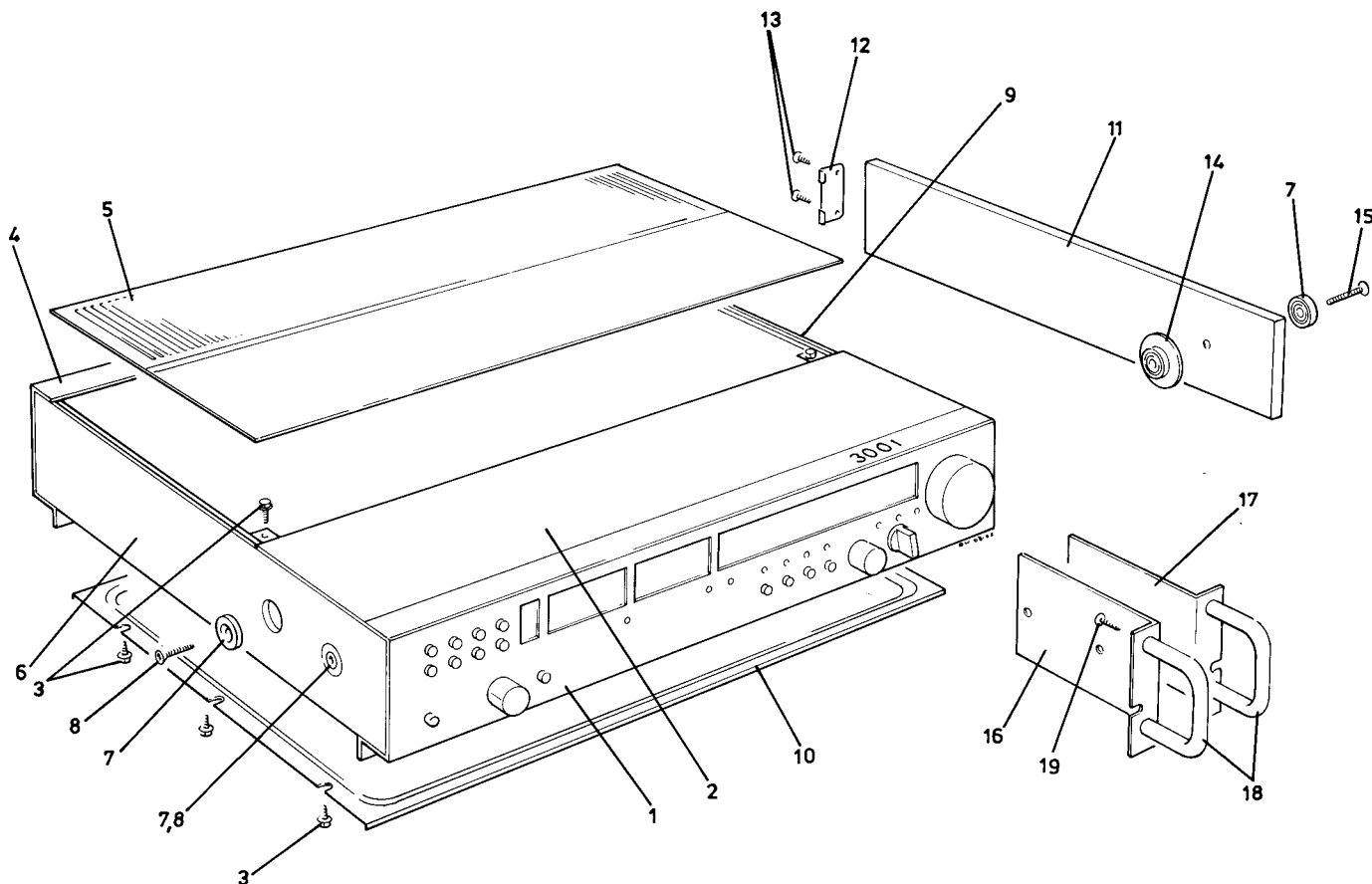
Address

Contact your nearest Tandberg office or:
Tandberg A/S
Spares Department
P.O. Box 53
N - 2007 KJELLER - Norway
Telephone: (2) 71 68 20
Telex: 18007 kurer n



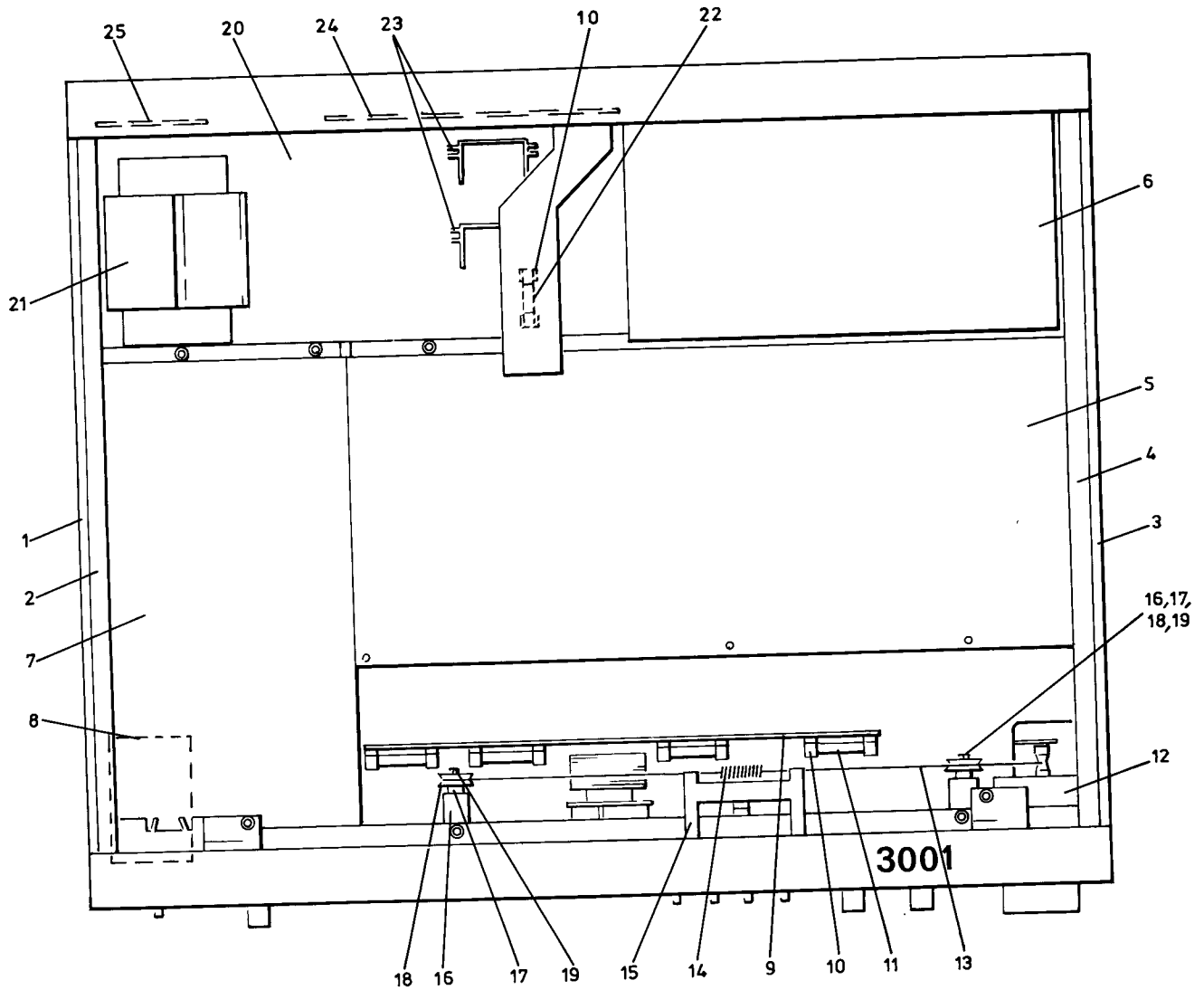
TANDBERG® — The European Alternative

Cabinet assembly



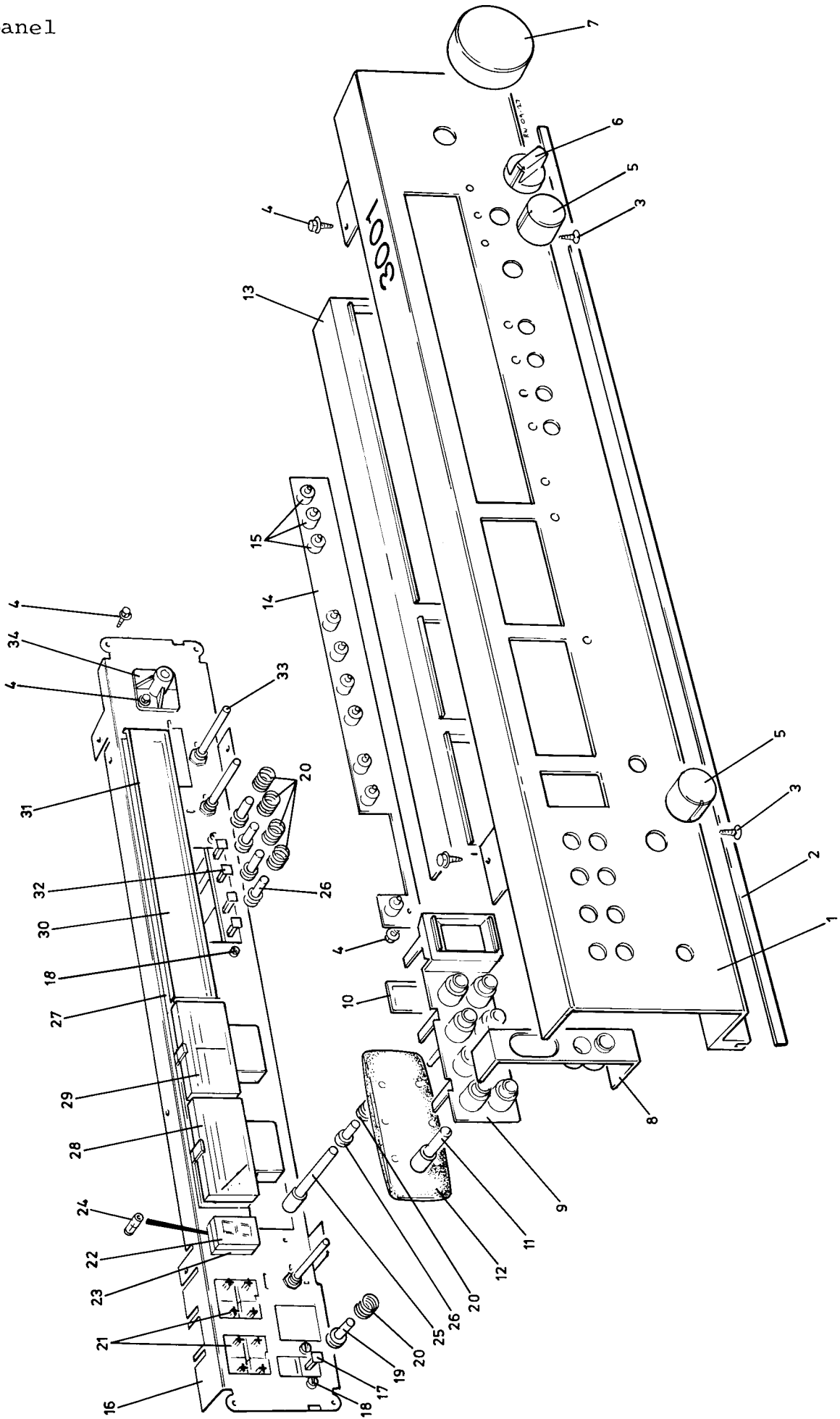
Index	Ordering No.	Beskrivelse (merknader)	Description (notes)	Reference
	*	Kabinett-enhet	Cabinet assembly	
1	379324	Skinne	Plate, front	
2	996913	Plate	Plate, top-front	
3	346854	Skrue	Screw, M3.5 x 6.3 hex hd, with collar	
4	379676	Skinne	Panel, back	
5	996914	Plate	Plate, top	
6	996924	Skinne	Plate, side, left	
7	400602	Hylse	Spacer, black plastic	
8	401105	Skrue	Screw, M4 x 16 csk hd, black	
9	996923	Skinne	Plate, side, right	
10	375258	Plate	Plate, bottom	
			Extra side panels.	
11	408921	Plate	Panel, side	
12	405875	Vinkel	Bracket, side panel	
13	409661	Skrue	Screw, 3/8" No.4 csk hd, black	
14	400480	Avstandsstykke	Spacer, black plastic	
15	402786	Skrue	Screw, M4 x 25 csk hd, black	
			Extra 19" rack mount.	
16	408928	Brakett	Bracket, rack mount, left	
17	403533	Brakett	Bracket, rack mount, right	
18	405214	Håndtak	Handle	
19	404819	Skrue	Screw, M4 x 12 csk hd, black	

Chassis assembly - top view



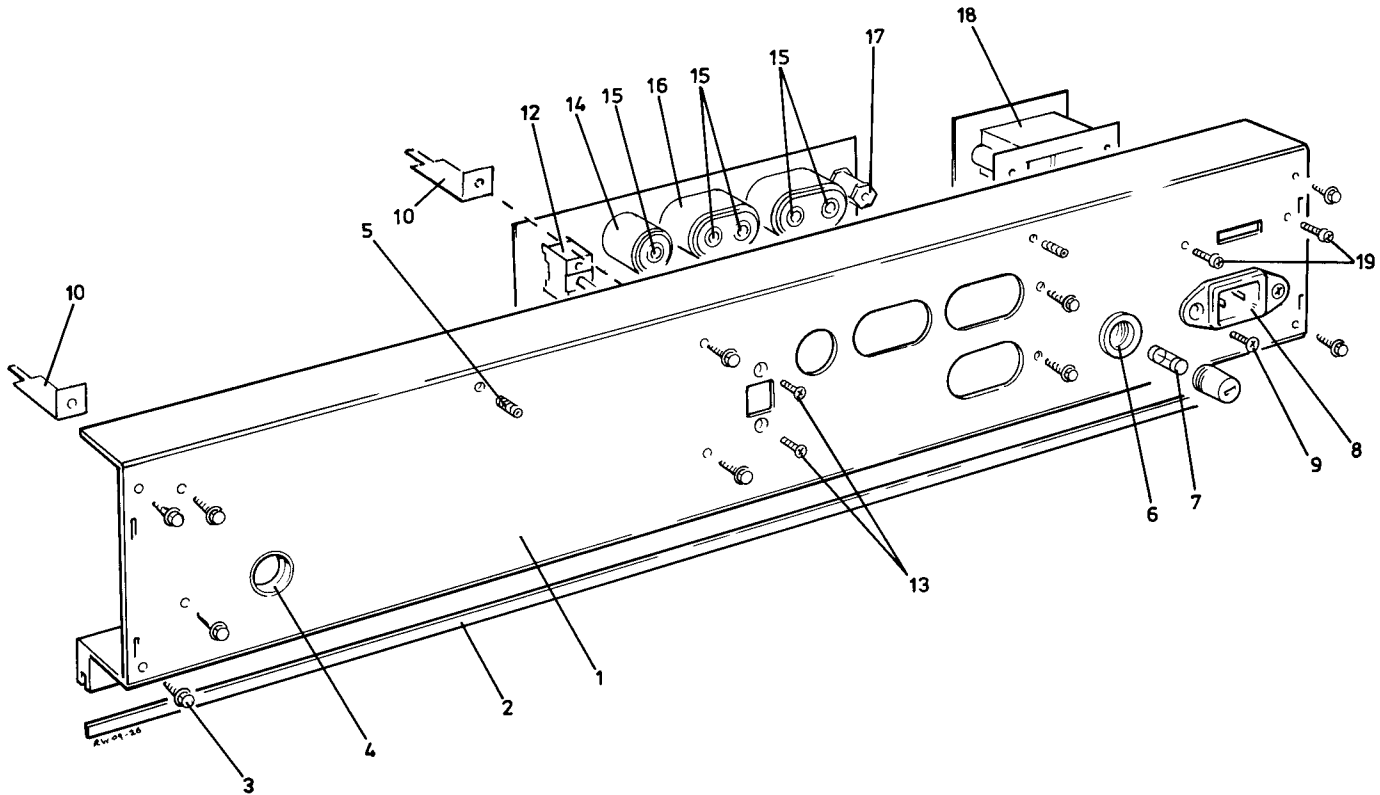
Index	SPECIFY THIS WHEN ORDERING		Description (notes)	Reference
	Ordering No.	Beskrivelse (merknader)		
	*	Sjassis-enhet	Chassis, assembly, top view	
1	996924	Skinne	Plate, side, left	
2	378785	Skinne	Plate, chassis, side, left	
3	996923	Skinne	Plate, side, right	
4	375071	Skinne	Plate, chassis, side, right	
5	996927	Kort	Board, stereo decoder	
6	996938	Kort	Board, select	
7	996929	Kort	Board, tuning system 2	
8	996940	Kort	Board, power switch	
9	996930	Kort	Board, dial light	
10	277509	Holder	Holder, fuse	
11	378764	Lampe	Bulb, 6.3 V 300 mA	
12	378972A	Drev	Flywheel	
13	272121	Snor	Cord	
14	204112	Fjær	Spring	
15	996942	Viser	Cursor	
16	377586A	Brakett	Bracket, pulley	
17	307868	Hylse	Bush	
18	287501	Trinse	Pulley, plastic	
19	354468	Skrue	Screw, M2.9 x 16 hex hd, with collar	
20	996933	Kort	Board, power supply	
21	378376	Transformator	Transformer	
22	279952	Sikring	Fuse, 315 mA, 5 x 20 mm, slow	
23	377011	Kjøleribbe	Heatsink	
24	996939	Kort	Board, connector	
25	996941	Kort	Board, voltage selector	

Front panel



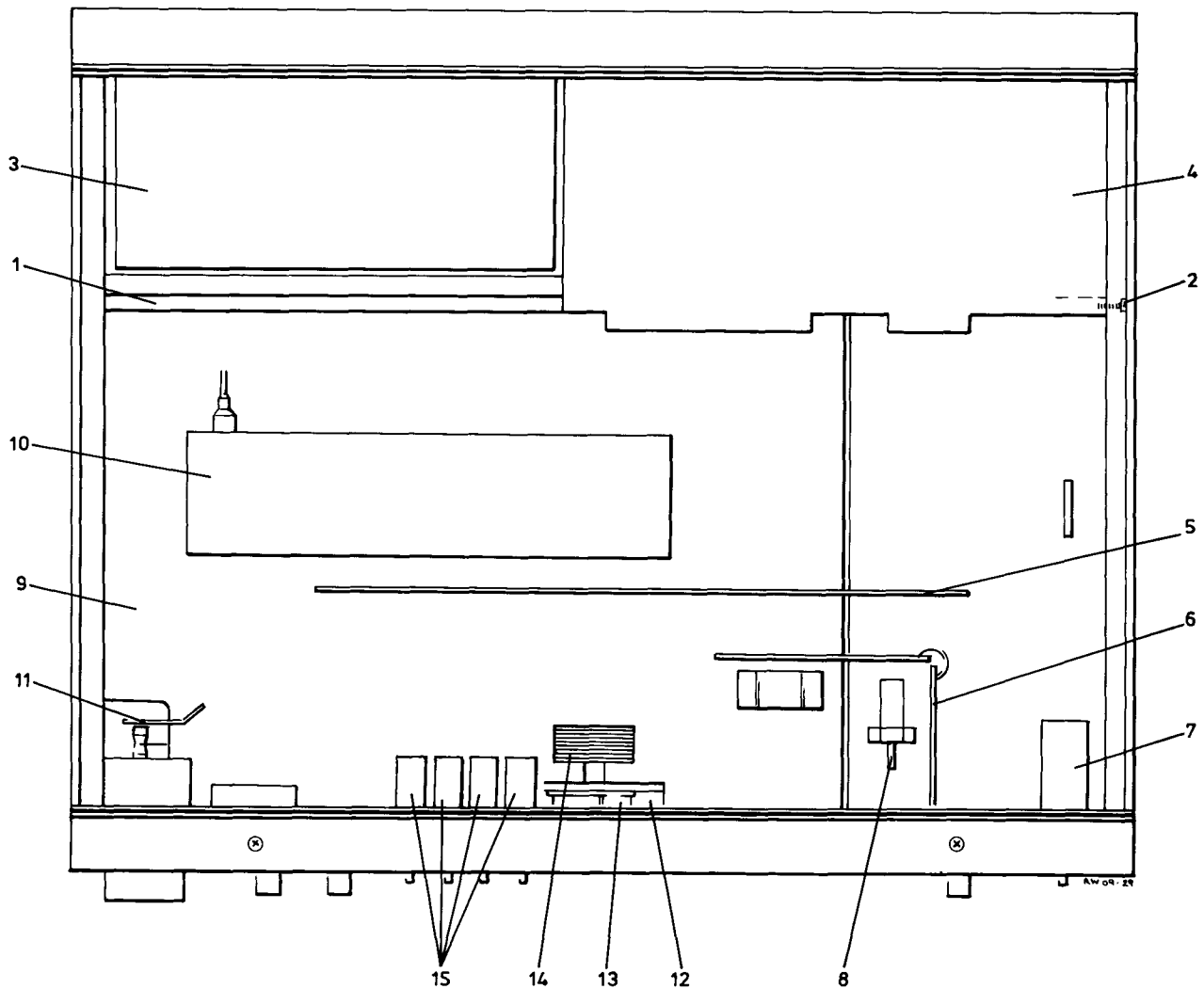
SPECIFY THIS WHEN ORDERING				
Index	Ordering No.	Beskrivelse (merknader)	Description (notes)	Reference
	*	Frontskinne	Front panel	
1	379324	Skinne	Panel, front	
2	379030B	List	Strip, rubber	
3	307990	Skrue	Screw, 3/8" No.6 csk hd	
4	346854	Skrue	Screw, M3.5 x 6.3 hex hd, with collar	
5	379331	Knapp	Knob	OUTPUT LEVEL, MUTING LEVEL
6	375617	Knapp	Knob	BANDWIDTH
7	378354	Knapp	Knob	TUNING
8	376048A	Hylse	Guide, push button knob	
9	377729	Holder	Holder, preset button	
10	376400	Vindu	Window, display, red	
11	377025	Knapp	Knob, push button	PROGRAM PRESET
12	403196	Skumgummi	Mat, foam rubber	
13	379410	Ramme	Surround, dial and meter, black plastic	
14	996926	Kort	Board, LED	
15	374425	Diode	Diode, SLP-132B, light emitting	
16	379949	Sjassi	Plate, chassis	
17	996940	Kort	Board, power switch	
18	290842	Skrue	Screw, M3 x 6 pan hd	
19	376896A	Knapp	Knob, push button	POWER
20	408023	Fjær	Spring	
21	374073	Vender	Switch, push	PROGRAM PRESET
22	342717	Diode	Diode, light emitting, 7 segment	PROGRAM
23	310505	Holder	Socket, 14 pin DIL	
24	375403	Hylse	Sleeve, plastic	
25	377874	Arm	Spindle, extension	
26	378706A	Knapp	Knob, push button	STORE PROGRAM, MONO, ANC, SERVO, MUTING
27	375696	Kasse	Holder, dial and meter	
28	372119	Instrument	Meter	SIGNAL
29	373800	Instrument	Meter	TUNING/FREQUENCY
30	379633A	Plate	Plate, dial	
31	379583	Vindu	Window, dial	
32	376637	Vender	Switch, push	MONO, ANC, SERVO, MUTING
33	373506	Vender	Switch, rotary	BANDWIDTH
34	378081A	Lager	Bush, flanged	

Back panel



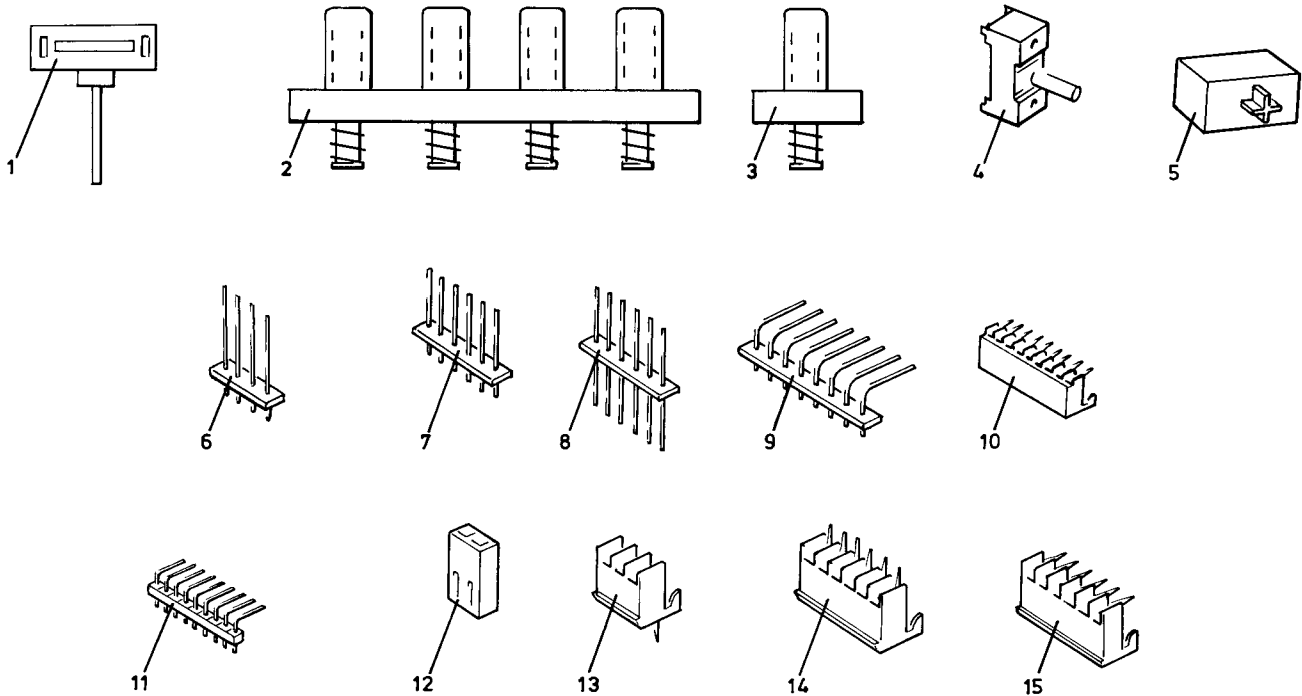
SPECIFY THIS WHEN ORDERING			
Index	Ordering No.	Beskrivelse (mærknader)	Description (notes)
	*	Bakskinne	Back panel
1	379676	Skinne	Panel, back
2	379030B	List	Strip, rubber
3	360735	Skrue	Screw, M3.5 x 7.9 hex hd, with collar
4	376616	Hylse	Surround, antenna socket, plastic
5	400753	Skrue	Screw, set, M4 x 18
6	363909	Holder	Holder, fuse, No.19629/FEI 031.1431
7	375560	Sikring	Fuse, 200 mA, 5 x 20 mm, slow
	274240	Sikring	Fuse, 400 mA, 5 x 20 mm, slow
8	374081	Kontakt	Socket, power, 2 pole
9	262876	Skrue	Screw, 1/4" No.4 csk hd, black
10	376868	Vinkel	Bracket, angle
11	996939	Kort	Board, connector
12	370790	Vender	Switch, toggle
13	324850	Skrue	Screw, 1/4" No.4 pan hd, black
14	375287	Hylse	Surround, phono socket, single
15	371142	Kontakt	Socket, phono, silver, SQ-3061
16	379001	Hylse	Surround, phono socket, double
17	377528	Avstandsstykke	Spacer, ICBS-8N
18	996941	Kort	Board, voltage selector
19	322817	Skrue	Screw, 5/16" No.4 pan hd, black
			Europe U.S.A.
			DE-EMPHASIS
			OUTPUT, FM MULTIPATH

Chassis assembly - underside view



SPECIFY THIS WHEN ORDERING				
Index	Ordering No.	Beskrivelse (merknader)	Description (notes)	Reference
1	377650	Sjassis-enhet	Chassis assembly, underside view	
2	346854	Skinne	Rail, chassis	
3	996937	Kort	Board, front end	
4	996933	Kort	Board, power supply	
5	996932	Kort	Board, interconnection	
6	996931	Kort	Board, output	
7	996940	Kort	Board, power switch	
8	378412	Vender	Switch, push	STORE PROGRAM
9	996935	Kort	Board, main	
10	996936	Kort	Board, limiter	
11	379555	Fjær	Spring, flat	
12	402226	Brakett	Bracket, tuning potentiometer	
13	375050	Potensiometer	Potentiometer, 100 kohm	R1
14	405940	Hjul	Wheel, cord drive, plastic	
15	376637	Vender	Switch, push	MONO, ANC, SERVO, MUTING

Switches and connectors



SPECIFY THIS WHEN ORDERING				
Index	Ordering No.	Beskrivelse (merknader)	Description (notes)	Reference
	*	Vendere	Switches	
1	373506	Vender	Switch, rotary	BANDWIDTH
2	376637	Vender	Switch, push	MONO, ANC, SERVO, MUTING
3	378412	Vender	Switch, push	STORE, PROGRAM
4	370790	Vender	Switch, toggle	DE-EMPHASIS
5	374073	Vender	Switch, push	PROGRAM PRESET
	*	Kontakter	Connectors	
6	377959	Plint	Connector, fixed, 4 pole	Molex 3192B
7	375402	Plint	Connector, fixed, 2 pole	Molex 3192A
	379116	Plint	Connector, fixed, 3 pole	Molex 3192A
	376408	Plint	Connector, fixed, 4 pole	Molex 3192A
	379992	Plint	Connector, fixed, 6 pole	Molex 3192A
	378311	Plint	Connector, fixed, 8 pole	Molex 3192A
	378089	Plint	Connector, fixed, 10 pole	Molex 3192A
8	379770	Plint	Connector, fixed, 3 pole	Molex
	376056	Plint	Connector, fixed, 4 pole	Molex
	377737	Plint	Connector, fixed, 6 pole	Molex
	379418	Plint	Connector, fixed, 10 pole	Molex
9	402492	Plint	Connector, fixed, 4 pole, horizontal	Molex 2373 tin plated
	376630	Plint	Connector, fixed, 6 pole, horizontal	Molex 2373 tin plated
	376982	Plint	Connector, fixed, 8 pole, horizontal	Molex 2373 tin plated
10	378441	Kontakt	Connector, fixed, 9 pole	Molex 5124B
11	375704	Plint	Connector, fixed, 9 pole, horizontal	Molex 3094
12	379640	Hus	Housing, terminal, 2 pole	Molex 3069
	375926	Hus	Housing, terminal, 3 pole	Molex 3069
	377686	Hus	Housing, terminal, 4 pole	Molex 3069
	377385	Hus	Housing, terminal, 8 pole	Molex 3069
13	377040	Kontakt	Connector, fixed, 3 pole	Molex 3215B
	376551	Kontakt	Connector, fixed, 4 pole	Molex 3215B
	374828	Kontakt	Connector, fixed, 6 pole	Molex 3215B
	307100	Kontakt	Connector, fixed, 8 pole	Molex 3215B
	350461	Kontakt	Connector, fixed, 10 pole	Molex 3215B
14	379913	Kontakt	Connector, fixed, 6 pole	Molex 3215C
	378232	Kontakt	Connector, fixed, 8 pole	Molex 3215C
15	379367	Kontakt	Connector, fixed, 4 pole	Molex 3215A
	377607	Kontakt	Connector, fixed, 6 pole	Molex 3215A
	375079	Kontakt	Connector, fixed, 10 pole	Molex 3215A

Tandberg A/S, Post Office Box 53, 2007 Kjeller, Norway