

ALLE VENDERE ER TEGET I UOPERERT STILLING
 ALL SELECTORS ARE SHOWN IN UNOPERATED POSITION

ALLE SPENNINGER ER MÅLT MOT MINUSPOL VED SV. BATTERISPENNING UTEN SIGNALPÅTRYKK MED INSTRUMENT ± 40000%. SPENNINGER ANGIT UTEN PARENTES GJELDER I STILLING FM, MENS SPENNINGER I PARENTES ER MÅLT I AM.
 ALL VOLTAGES ARE MEASURED WITH RESPECT TO NEGATIVE TERMINAL OF A 9 VOLT SUPPLY, UNDER NO-SIGNAL CONDITIONS, WITH AN INSTRUMENT ± 40000%. VOLTAGES OUTSIDE PARENTHESIS REFER TO FM MODE, WHEREAS VALUES IN PARENTHESIS REFER TO AM MODE.

TOTAL STRØM (uten tilført signal, volumkontroll nedskrudd):
 i AM: 16mA
 i FM: 19mA

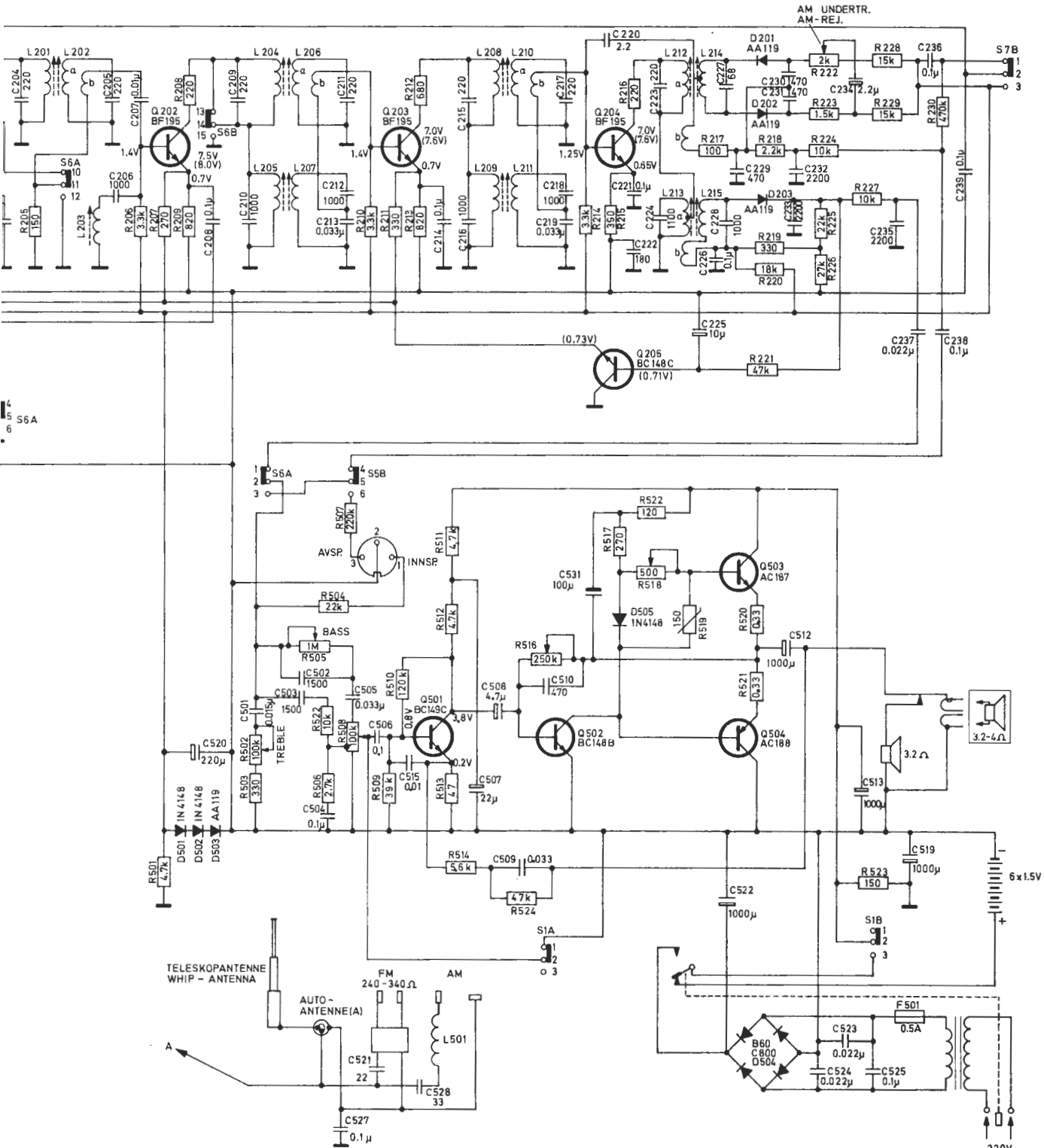
TOTAL CURRENT (without input signal volume control at minimum):
 in AM: 16mA
 in FM: 19mA

BØLGEOMRÅDER / WAVE-RANGES	
LB/LW	150-268 kHz/Kc
MB/MW	518-1600 kHz/Kc
KB/SW	5.8-18.5 MHz/Mc
FM	87.5-108.0MHz/Mc
MF/IF	455kHz/Kc-10.7MHz/Mc

RETT TIL ENDRINGER FORBEHOLDES
 MODIFICATIONS RESERVED

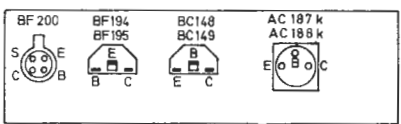
BÅND/BAND	FREKVENNS/FREQUENCY	OSCILLATOR
LB/LW	170 kHz/kc	C 403
	200 "	
	240 "	
MB/MW ^{xx}	600 kHz/kc	L 402
	1400 "	C 408
KB/SW	7.0 MHz/Mc	L 401a
	14.0 "	C 410
FM	90.0 MHz/Mc	L 101c
	105.0 "	
	108.0 "	C 120

^x) ANT. SIGNAL TIL AM AUTOANT. KRETSEK MÅ BILANTENNE.
 ANT. SIGNAL TO AM AUTOANT. CIRCUITS MUST BE CAR ANTENNA.
^{xx}) MB - OSCILLATOR MÅ TRIMMES FOR LB-OS MW OSCILLATOR MUST BE ADJUSTED BEFORE



FREQUENCY	OSCILLATOR	FORKRETS/ANTENNACIRCUIT	
		AUTOANT. *)	FERRITANT.
	C 403	L 303 a	L 305
	L 402 C 408	C 305	C 309
Mc	L 401 a C 410	L 301 C 303	L 304 C 310
Mc	L 101 c C 120	L 101 a - L 101 b C 103 - C 113	

ANT. KRETSER MÅ TILFØRES VIA EKUIVALENT
 ANT. CIRCUITS MUST BE SUPPLIED VIA EQUIVALENT
 TUNING SCALING FOR LB - OSCILLATOR.
 TUNING MUST BE ADJUSTED BEFORE LW OSCILLATOR.



TRANSISTORENE SETT FRA UNDERSIDEN.
 THE TRANSISTORS SEEN FROM UNDERNEATH.

SKJEMA FRA SERIE NR. 1506420
 SCHEMATIC FROM SERIAL NO. 1506420

TANDBERG

TP 43 Portable

SKJEMA CIRCUITS DIAGRAM



17689-5

