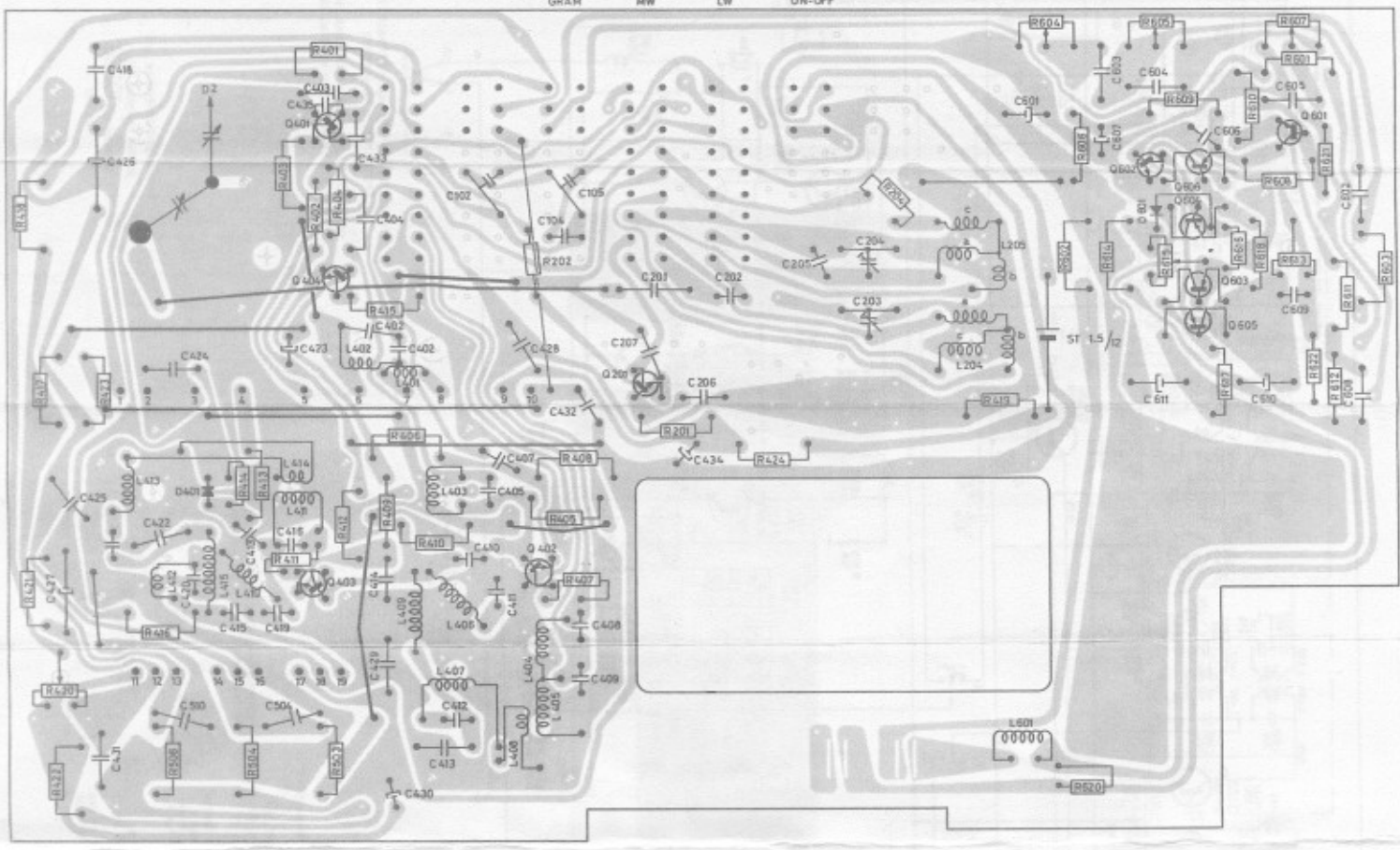
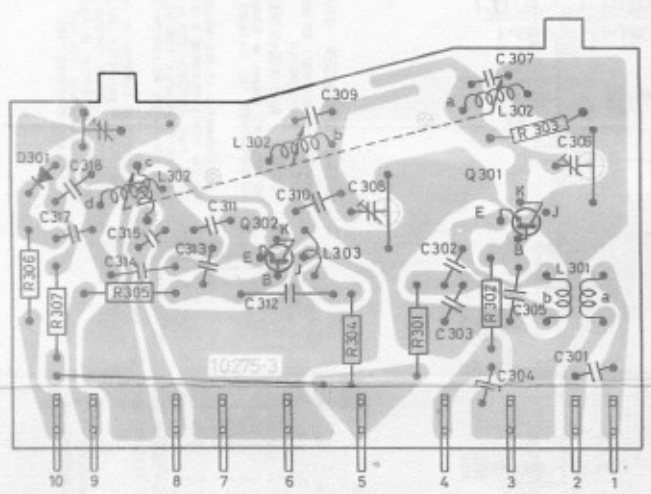




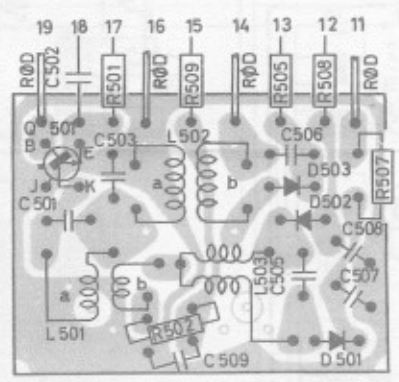
FM AFK BÄND / MB LB PÅ-ÅV  
GRAM MW LW ON-OFF



Hovedplaten sett fra foliesiden.  
The main circuit board seen from the printed side.



FM-platen sett fra foliesiden.  
The FM-board seen from the printed side.



Detektorplaten sett fra foliesiden.  
The detector-board seen from the printed side.