

# TANDBERG

## TCD 440 A

### Illustrated Parts List

#### Bestilling av deler

Ved alle henvendelser, vennligst oppgi apparatets type og serienummer.  
Ved bestilling av deler, oppgi bestillingsnummer og beskrivelse.

#### Bestillingsadresse

Kontakt nærmeste Tandberg-kontor eller:  
Tandberg A/S  
Sentral Delelager – Service  
Postboks 53  
N – 2007 KJELLER – Norge  
Telefon: (02) 71 68 20  
Telex: 18007 kurer n

#### Ordering of spare parts

For all enquiries, please state the set's type and serial number.  
When ordering, give the part's order number and description.

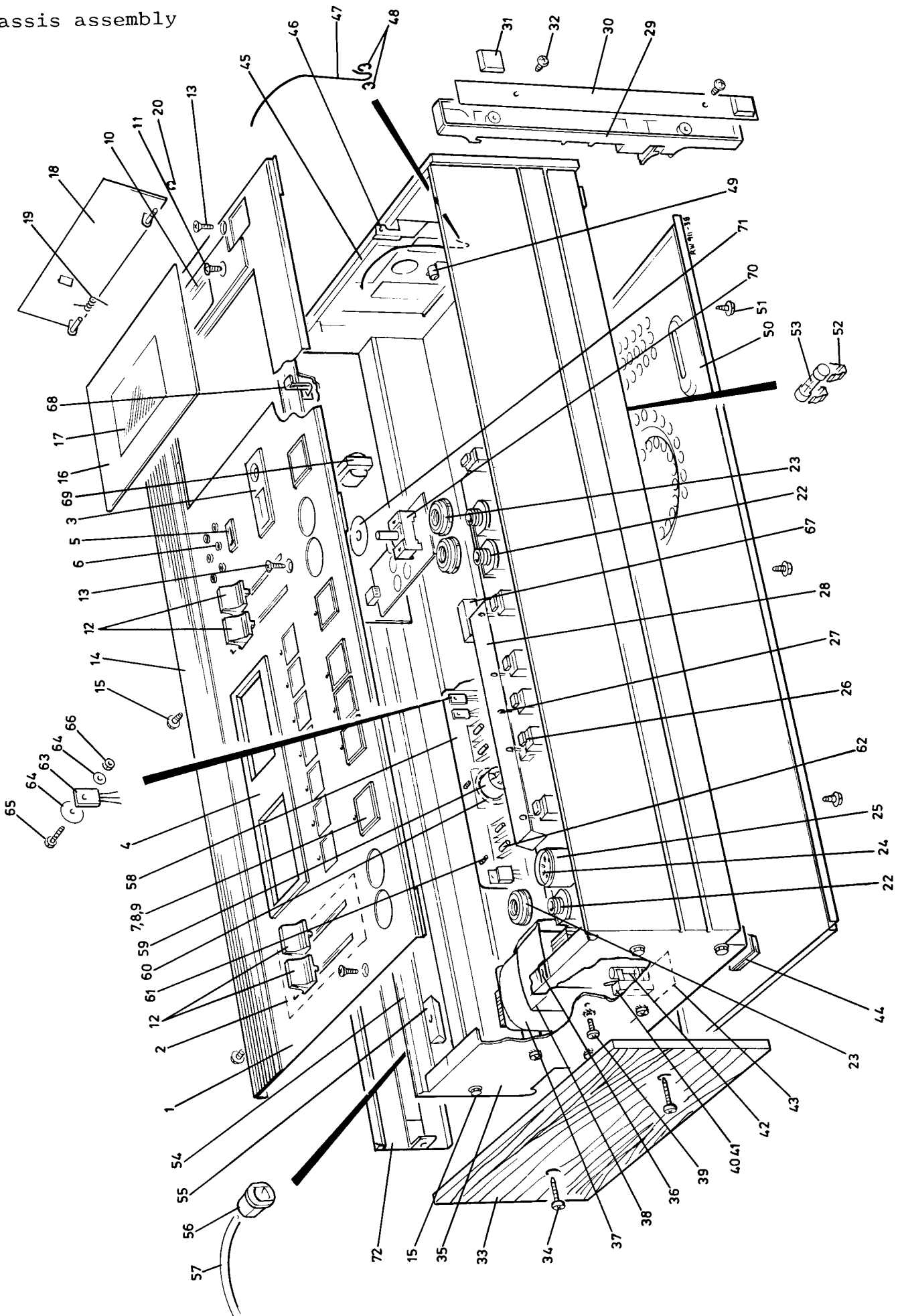
#### Address

Contact your nearest Tandberg office or:  
Tandberg A/S  
Spares Department  
P.O. Box 53  
N – 2007 KJELLER – Norway  
Telephone: (2) 71 68 20  
Telex: 18007 kurer n



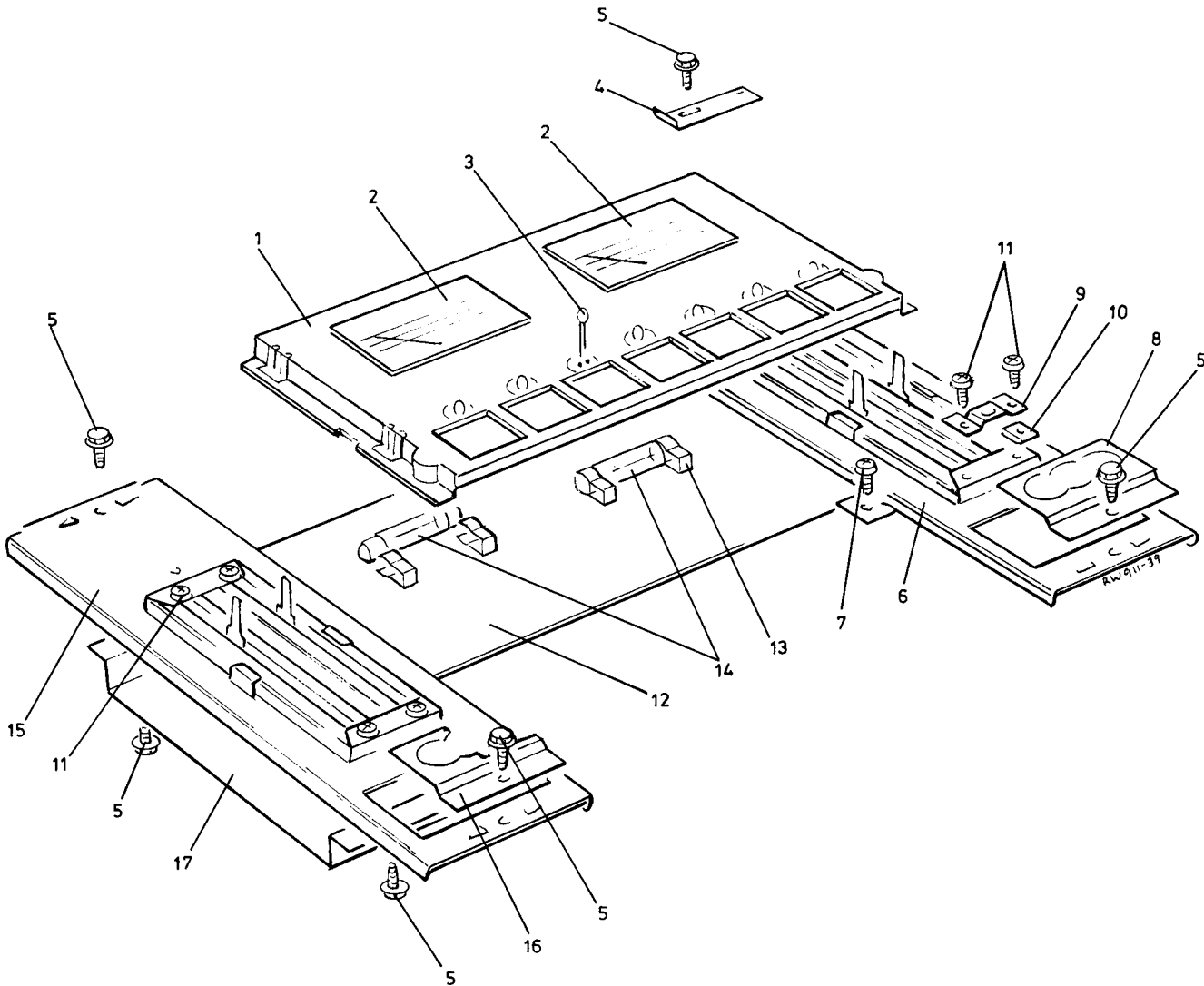
**TANDBERG** — The European Alternative

Chassis assembly



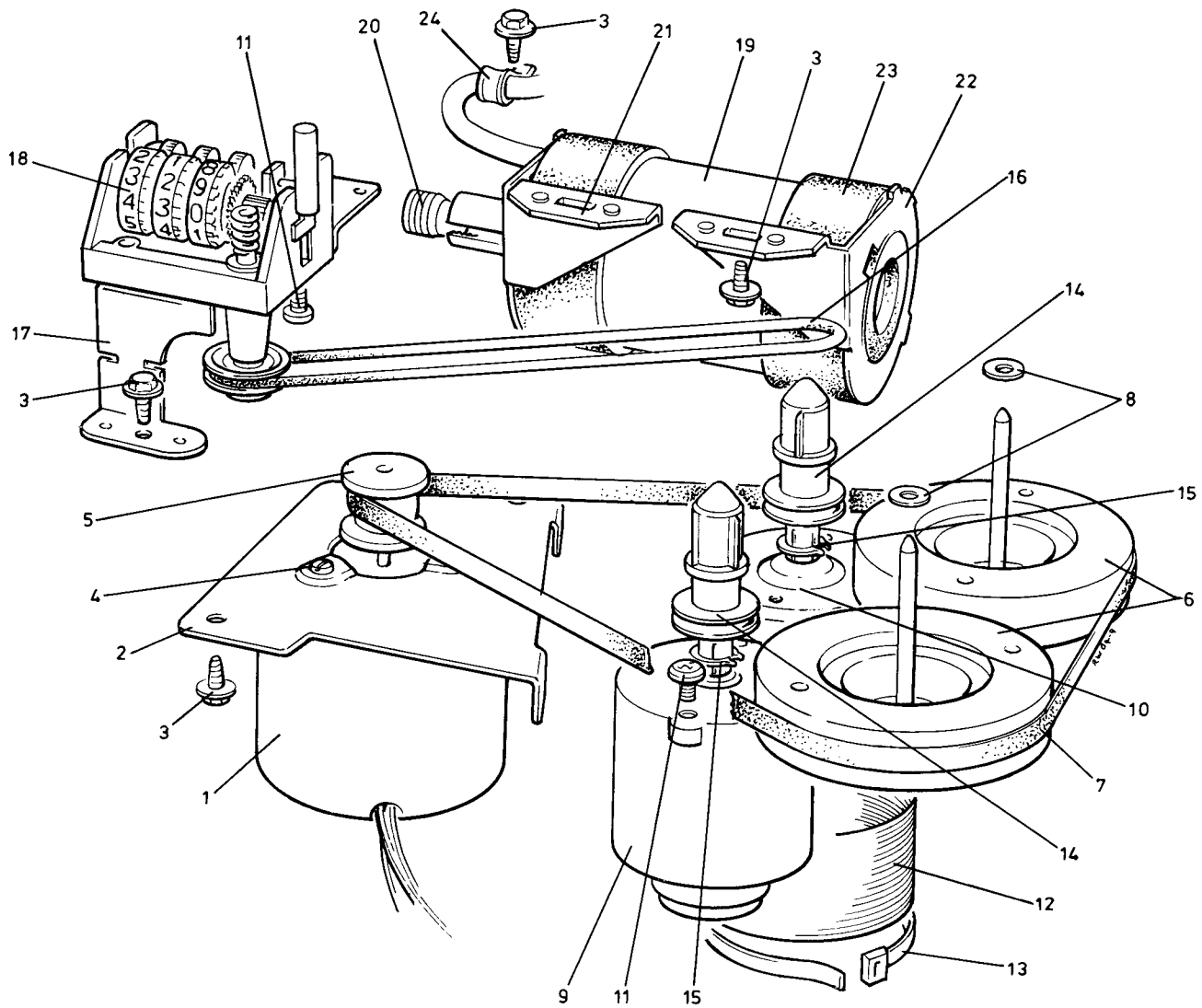
Index	SPECIFY THIS WHEN ORDERING		Description (notes)	Reference
	Ordering No.	Beskrivelse (merknader)		
1	* 995149	Sjassis-enhet Plate (lev. m/index 2-11)	Chassis assembly Plate, top (supplied with index 2-11)	
2	292581	Plate	Mask, felt	
3	313191	Vindu	Window, counter, plastic	
4	374935	Ramme	Surround, meter, plastic	
5	368958	Ramme	Surround, switch, black	
6	375403	Hylse	Grommet, black plastic	
7	361215	Ramme	Surround, push button, plastic	
8	376732	Knapp	Button, push	
9	362860	Fjær	Spring	
10	346250	Ramme	Surround, plastic	
11	346840	Skrue	Screw, plate, 1/4" No. 4 flange hd, black	
12	994119	Knapp	Knob, black plastic, with spring	INPUT LEVEL, OUTPUT LEVEL
13	234206	Skrue	Screw, plate, 3/8" No. 4 csk hd, black	
14	408691	Skinne	Plate, top	
15	309060	Skrue	Screw, plate, 1/4" No. 6 pan hd	
16	995150	Deksel	Cover	
17	367321	Vindu	Window, plastic	
18	995151	Lokk	Cover, with spindle	
19	345862	Fjær	Spring	
20	230542	Skive	Ring, circlip, 2.3 mm	
21	995146	Skinne	Plate, front	
22	294420	Jack	Socket, jack, 3 pole 1/4"	HEADPHONES, MIC L, MIC R
23	317372	Mutter	Nut	
24	365955	Kontakt	Socket, 7 pin DIN 180 degrees	REMOTE
25	365596	Hylse	Surround, DIN socket, plastic	
26	364828	Vender	Switch, touch	
27	352665	Diode	Diode, light emitting, red	
28	*	Plate	Sheet, card	
29	995148	Fot (lev. m/index 30-32)	Foot, pair (supplied with index 30-32)	
30	*	Plate	Plate	
31	324297	Fot	Foot, rubber	
32	309693	Skrue	Screw, plate, 1/4" No. 4 flange hd	
33	334878A	Kassett	Panel, rosewood	supplied in matched pairs
	371229	Kassett	Panel, black	
34	262984	Skrue	Screw, plate, 5/8" No. 6 pan hd, black	
35	309599C	Plate	Plate, side wall, left	
36	272739	Mutter	Nut, plate	
37	407520	Transformator	Transformer	
38	373577B	Plate	Cover, isolation	
39	346854	Skrue	Screw, 3.5 x 6.3 mm hex hd, with collar	
40	357399	Holder	Holder, fuse	
41	340813	Skrue	Screw, plate, 1/4" No. 2 pan hd	
42	270526	Sikring	Fuse, 800 mA, 5 x 20 mm, slow	115 V
	279952	Sikring	Fuse, 315 mA, 5 x 20 mm, slow	230 V
43	290211	Plåte	Plate, isolation	
44	227949	Fot	Foot, rubber	
45	349390	Plate	Plate, side wall, right	
46	(lev. m/index 46-49)		(supplied with index 46-49)	
46	349964	Brakett	Bracket, cover	
47	347543	Fjær	Spring	
48	239651	Skive	Ring, circlip, 3.2 mm	
49	351581	Strømpe	Sleeve, rubber	
50	319448A	Plate	Cover, bottom	
51	297925	Skrue	Screw, plate, 5/16" No. 6 flange hd, black	
52	277509	Holder	Holder, fuse	
53	265736	Sikring	Fuse, 2 A, 5 x 20 mm, slow	230 V
	289629	Sikring	Fuse, 2 A, 1 1/4" x 1/4"	115 V
54	995147	Skinne	Plate, rear wall	
55	319721	Brakett	Bracket, frame	
56	281454	Tube	Tube, cable, power	
57	357630	Ledning	Cable, power, with Europlug	
	346388	Ledning	Cable, power	U.S.A. version
58	348413	Brakett	Bracket	
59	242244	Kontakt	Socket, 5 pin DIN 180 degrees	RADIO
60	282645	Ring	Ring, rubber	
61	290842	Skrue	Screw, 3 x 6 mm pan hd	
62	283773	Kontakt	Socket, phono	INPUT, OUTPUT
63	*	Transistor	Transistor	
64	*	Skive (lev. m/index 63)	Washer (supplied with index 63)	
65	271367	Mutter	Nut, 2.6 mm	
66	296417	Skrue	Screw, 2.6 x 8 mm pan hd	
67	335095	Vender	Switch, slide	MPX FILTER
68	300612A	Klammer	Guide, plastic	
69	980379	Transformator	Transformer, oscillator	
70	365682	Vender	Switch, toggle	BIAS SELECTOR
71	374834	Skive	Ring, felt	
72	343471	Deksel	Cover, rear	

# Meter board assembly



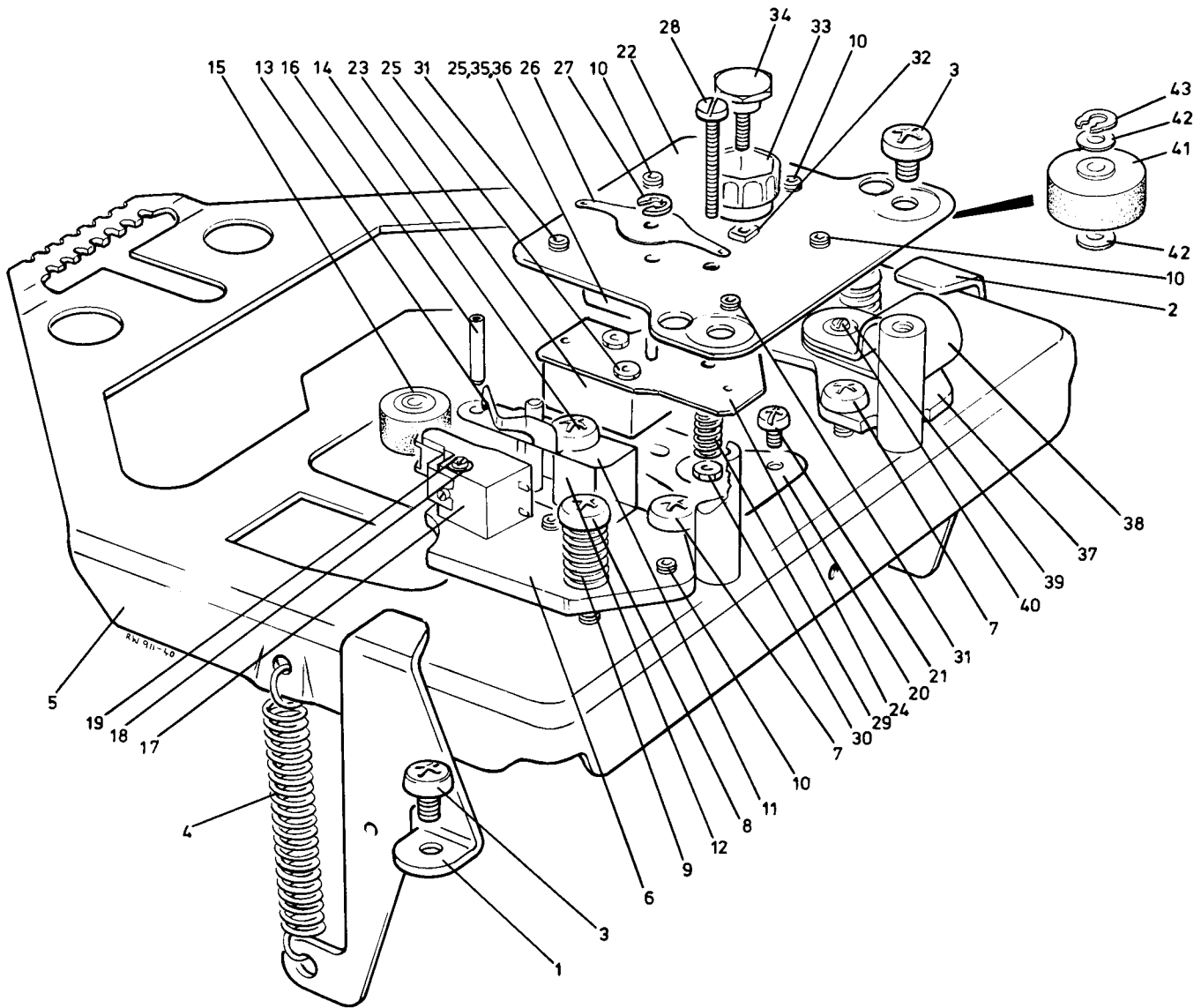
Index	SPECIFY THIS WHEN ORDERING		Description (notes)	Reference
	Ordering No.	Beskrivelse (merknader)		
	*	Instrumentkort-enhet	Meter board assembly	
1	401493	Holder	Holder, meter	
2	402125	Instrument	Meter	
3	316531	Diode	Diode, light emitting	
4	347659	Stag	Plate	
5	346854	Skrue	Screw, 3.5 x 6.3 mm hex hd, with collar	
6	315734A	Ramme	Frame, potentiometer	
7	329598	Skrue	Screw, 3/16" No. 4 pan hd	
8	315382	Brakett	Bracket, microphone	
9	317063	Brakett	Bracket	
10	272739	Mutter	Nut, plate	
11	269255	Skrue	Screw, 3 x 4 mm pan hd	
12	995163	Kort	Board, meter	A9
13	330195	Holder	Holder	
14	333909	Lampe	Bulb, 10 V 50 mA	
15	317415A	Ramme	Frame, potentiometer	
16	995166	Brakett	Bracket, headphone	
17	995125	Skjerm	Screen, with insulation	

# Drive assembly



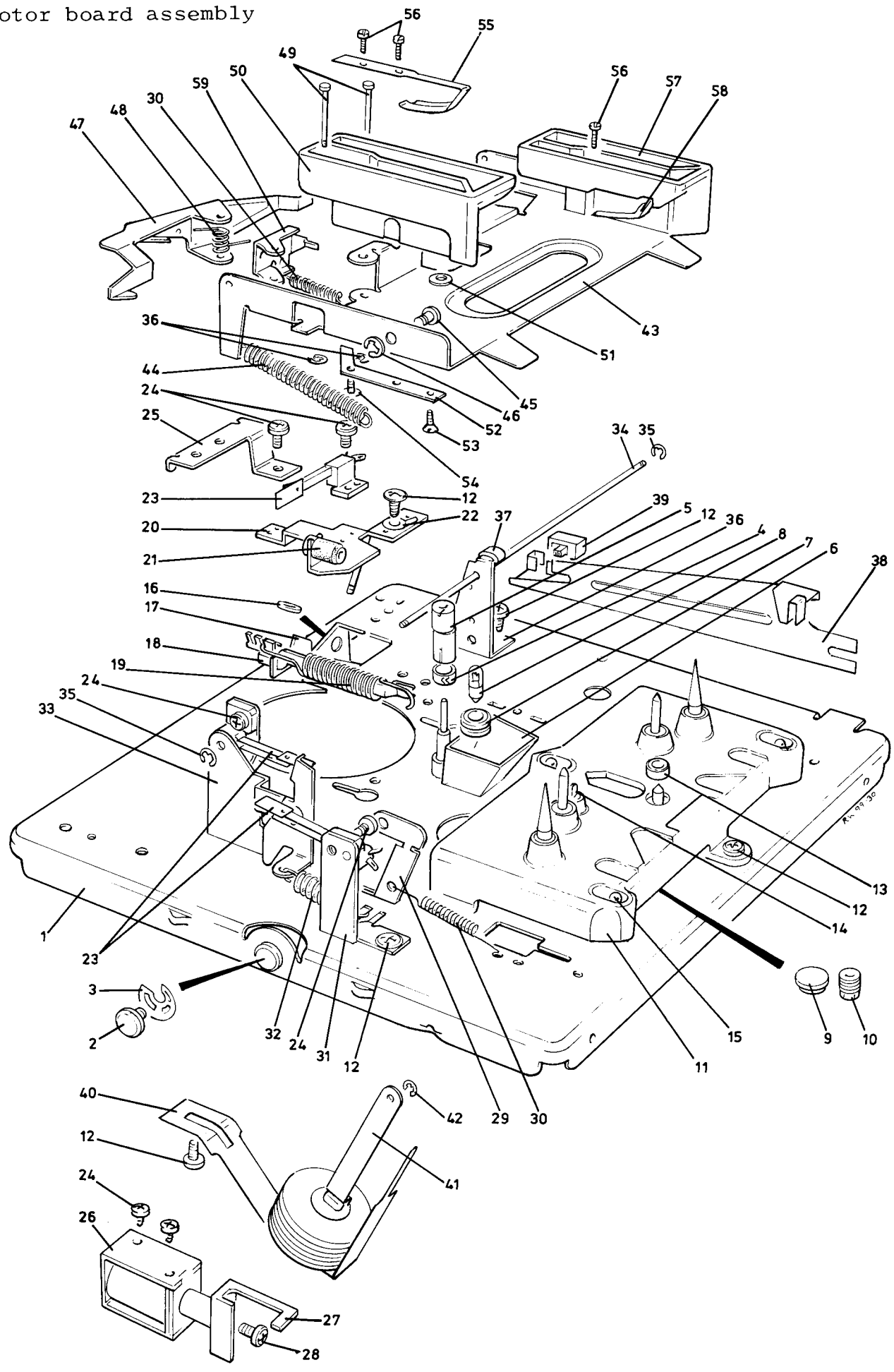
Index	Ordering No.	Beskrivelse (merknader)	Description (notes)	Reference
		<b>SPECIFY THIS WHEN ORDERING</b>		
	*	Fremdrifts-enhet	Drive assembly	
1	400092	Motor	Motor	Capstan
2	377084	Plate	Plate, mounting, capstan motor	
3	346854	Skruer	Screw, 3.5 x 6.3 mm hex hd, with collar	
4	403174	Skruer	Screw, 2.6 x 3.5 mm pan hd	
5	375051	Hjul	Pulley, drive	
6	994111	Svinghjul (parvis tilpasset, og med indeks 7)	Flywheel (supplied in matched pairs and with index 7)	
7	994183	Ring	Belt, drive, rubber	
8	285369	Skive	Washer, 6 x 2.7 x 0.5 mm, plastic	
9	375086	Motor	Motor, non-cogging	Supply
10	284823	Motor	Motor	Take-up
11	269255	Skruer	Screw, 3 x 4 mm pan hd	
12	306775	Skjerm	Screen	
13	319506	Bånd	Strap, plastic	
14	994113	Aksel (lev. m/index 15)	Spindle, tape reel (supplied with index 15)	
15	213826	Ring	Ring, retaining, external, 6 mm	
16	309600	Ring	Belt, drive, rubber	
17	379117	Brakett	Bracket, support, counter	
18	280132	Teller	Counter	
19	994184	Trekkmagnet	Solenoid	L1, L2, Start solenoid
20	264212A	Skruer	Screw, nylon	
21	995101	Klammer	Bracket	
22	302300	Klammer	Bracket	
23	300942A	Hylse	Housing, rubber	
24	202684	Klammer	Clamp, cable, nylon, 5 mm	

# Head plate assembly



SPECIFY THIS WHEN ORDERING			Description (notes)	Reference
Index	Ordering No.	Beskrivelse (merknader)		
	*	Hodebro-enhet	Head plate assmbly	
1	304333A	Arm	Bracket, guide, head	
2	345676	Arm	Bracket, guide, head plate, right	
3	269255	Skrue	Screw, 3 x 4 mm pan hd	
4	287732	Fjær	Spring	
5	*	Plate	Plate, mounting, head	
6	348061	Plate	Plate, pressure, left	
7	292523	Skrue	Screw, 3 x 8 mm pan hd	
8	293852	Skrue	Screw, 3 x 15 mm pan hd	
9	240406A	Fjær	Spring	
10	890002	Skrue	Screw, set, 3 x 7 mm	
11	342307	Bøyle	Bracket, U-shaped, pressure roller	
12	337479A	Hylse	Spacer	
13	346997	Fjær	Spring	
14	292171	Skrue	Screw, 3 x 12 mm pan hd	
15	333126	Valse	Roller, pressure, rubber	
16	341553	Aksel	Spindle	
17	716481	Hode	Head, erase	
18	356947	Skive	Washer, 1.4 mm	
19	340281	Skrue	Screw, 1.7 x 12 mm pan hd	
20	285699A	Fjær	Spring, flat	
21	294520	Skrue	Screw, 2.3 x 3 mm pan hd	
22	352608	Plate	Plate, mounting, head, with nut	
		(lev. m/index 32)	(supplied with index 32)	
23	715546	Hode	Head, record, with plate	
		(lev. m/index 24,25)	(supplied with index 24 and 25)	
24	349742	Plate	Plate, mounting, head	
25	336517	Mutter	Nut	
26	339433	Fjær	Spring	
27	234256	Skive	Ring, circlip, 1.9 mm	
28	326660	Skrue	Screw, 2 x 15 mm pan hd	
29	240406A	Fjær	Spring	
30	335755A	Mutter	Nut, 2 mm	
31	890001	Skrue	Screw, set, 3 x 6 mm	
32	341395	Hylse	Nut, plastic	
33	347458	Hylse	Knob, black plastic	
34	347385	Skrue	Screw	
35	716480	Hode	Head, playback, with plate	
		(lev. m/index 25,36)	(supplied with index 25 and 36)	
36	337400	Plate	Plate, mounting, head	
37	317042	Plate	Plate, pressure, right	
38	219221	Klammer	Clamp, cable, nylon, 7 mm	
39	355934	Skive	Washer, 5 x 2.2 x 0.3 mm	
40	292487	Skrue	Screw, 2 x 5 mm pan hu	
41	860004A	Hjul	Roller, pressure, rubber	
42	244377	Skive	Washer, 6 x 2.5 x 0.3 mm	
43	212145	Ring	Ring, retaining, external, 2.5 mm	

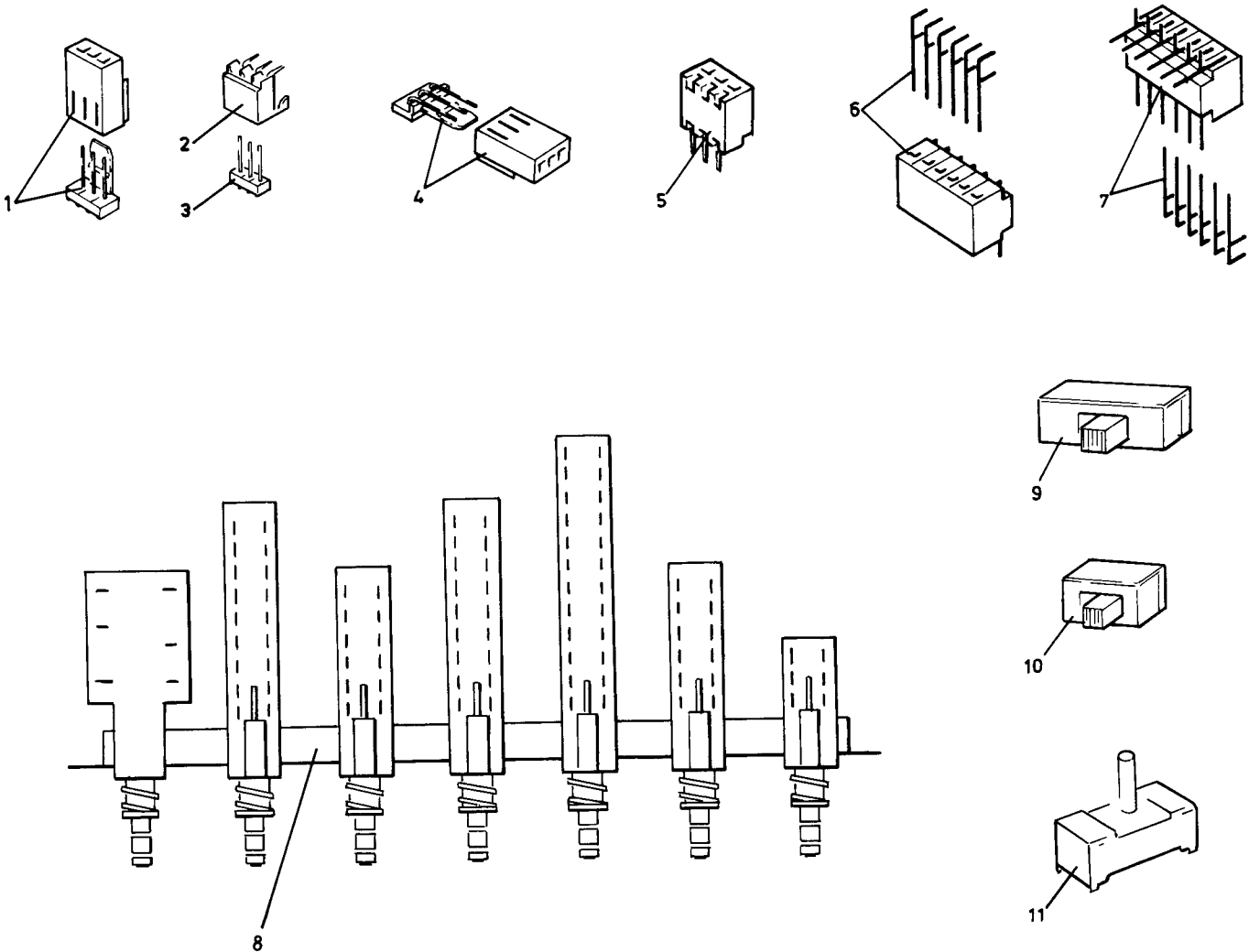
Motor board assembly





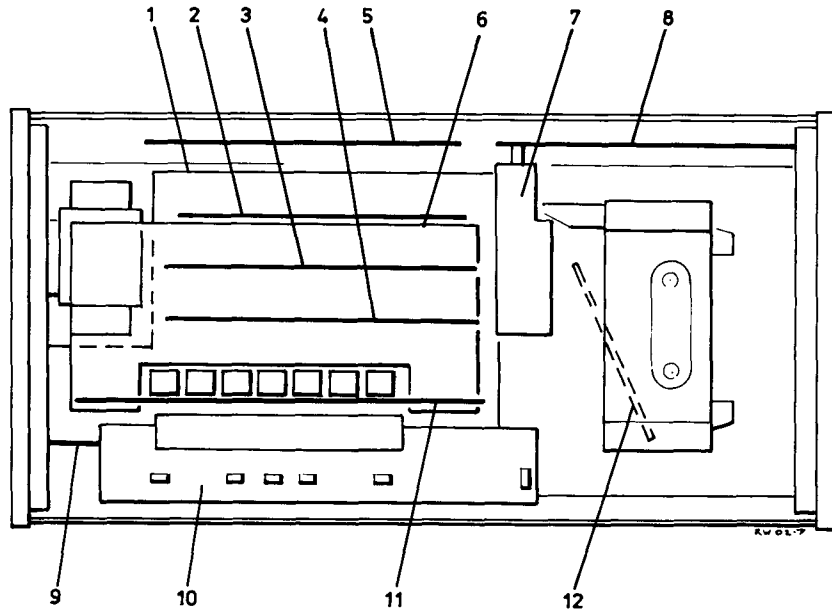
SPECIFY THIS WHEN ORDERING				Reference
Index	Ordering No.	Beskrivelse (merknader)	Description (notes)	
	*	Motorplate-enhet	Motor board assembly	
1	995145	Plate	Plate, support, motor	
2	302020	Aksel	Post, pivot	
3	245649	Skive	Ring, circlip, 4 mm	
4	229824	Klips	Clip	
5	301395	Hylse	Cam, nylon	
6	301747A	Skjerm	Reflector, illumination	
7	285720	Tube	Grommet, rubber	
8	995152	Lampe	Bulb, 14 V 80 mA, with leads	
9	355014	Plate	Disc, thrust bearing	First version
10	371351	Skruer	Screw, nylon	Second version
11	994117	Plate	Plate, mounting, flywheel	
12	346854	Skruer	Screw, 3.5 x 6.3 mm hex hd, with collar	
13	207173	Lager	Bearing, 2.5 mm	
14	304326	Plugg	Guide, cassette	
15	303622	Kule	Ball, bearing	
16	217152	Skive	Washer, 9 x 4.3 x 0.8 mm	
17	301323	Arm	Lever, solenoid	
18	344132	Arm	Arm	
19	304685	Fjær	Spring	
20	994112	Brakett	Bracket, with spindle	
21	202303	Tube	Tube, rubber	
22	223675	Loddeøre	Tag, solder, 4.2 mm	
23	284119	Vender	Switch, leaf, n/o	MS1 cassette, MS2 slide MS3 record
24	269255	Skruer	Screw, 3 x 4 mm pan hd	
25	318392	Klammer	Clamp	
26	354001	Magnet	Solenoid	Eject
27	351732	Arm	Arm, solenoid, plastic	
28	290842	Skruer	Screw, 3 x 6 mm pan hd	
29	353140A	Arm	Lever	
30	293824	Fjær	Spring	
31	303004	Brakett	Bracket, support, leaf switch	
32	313183	Fjær	Spring	
33	346732	Brakett	Bracket, support, cassette drawer	
34	301668	Aksel	Spindle	
35	237970	Skive	Ring, circlip, 1.5 mm	
36	347357A	Brakett	Bracket, support, cassette drawer	
37	351581	Strømpe	Sleeve, rubber	
38	345668	Arm	Arm, switch	
39	348887	Vender	Switch, slide	S9
40	995134	Belg	Bellows, with flat spring	
41	360129	Arm	Arm, bellows	
42	234256	Skive	Ring, circlip, 1.9 mm	
43	300490A	Brakett	Bracket, cassette drawer	
44	289413	Fjær	Spring	
45	304678	Tapp	Post, pivot	
46	230542	Skive	Ring, circlip, 2.3 mm	
47	287380A	Arm	Arm	
48	365130	Fjær	Spring	
49	301316	Aksel	Post, pivot	
50	994120	Styring	Guide, cassette, left	
51	215320	Skive	Washer, 7 x 3.2 x 0.5 mm	
52	995135	Brakett	Bracket, bellows	
53	234206	Skruer	Screw, plate, 3/8" No. 4 csk hd, black	
54	292875	Skruer	Screw, plate, 3/8" No. 4 flange hd	
55	291791	Fjær	Spring, cassette drawer, left	
56	299606	Skruer	Screw, plate, 3/16" No. 2 pan hd	
57	994121	Styring	Guide, cassette, right	
58	290110	Fjær	Spring, cassette drawer, right	
59	304103	Arm	Arm	

# Connectors and switches



Index	SPECIFY THIS WHEN ORDERING		Description (notes)	Reference	
	Ordering No.	Beskrivelse (merknader)			
1	*	Kontakter	Connectors	POWER, DOLBY NR, DOLBY FM TAPE SELECTOR, MONITOR, REC. PRESET S9 S8, MPX FILTER BIAS SELECTOR	
	995818	Kontakt	Connector, 2 pole, small		
	995819	Kontakt	Connector, 3 pole, small		
	995820	Kontakt	Connector, 4 pole, small		
	2	340806	Kontakt		Connector, fixed, 3 pole, small
	3	316575	Plint		Connector, fixed, 3 pole, small
	4	996301	Kontakt		Connector, 3 pole, horizontal, small
5	318320	Kontakt	Connector, fixed, 3 pole		
6	996302	Kontakt	Connector, 3 pole, black		
7	996303	Kontakt	Connector, 6 pole, black		
	996304	Kontakt	Connector, 3 pole, black		
	996305	Kontakt	Connector, 6 pole, black		
8	*	Vendere	Switches		
	408339	Vender	Switch, push		
9	348887	Vender	Switch, slide		
10	335095	Vender	Switch, slide		
11	365682	Vender	Switch, toggle		

Printed circuit boards



SPECIFY THIS WHEN ORDERING				
Index	Ordering No.	Beskrivelse (merknader)	Description (notes)	Reference
	*	TK plater	Printed circuit boards	
1	995155	Kort	Board, mother	A1
2	995160	Kort	Board, playback amplifier	A6
3	995156	Kort	Board, Dolby encoder	A5
4	995158	Kort	Board, record amplifier	A4
5	995165	Kort	Board, Dolby decoder	A7
6	995163	Kort	Board, fader	A9
7	995154	Kort	Board, bias	B2
8	995157	Kort	Board, oscillator	A8
9	995161	Kort	Board, logic	A2
10	995162	Kort	Board, function control	B3
11	995159	Kort	Board, switch	A3
12	995153	Kort	Board, motor control	B1

**TANDBERG A/S**  
**P.O. Box 55, Bogerud**  
**N – OSLO 6 – Norway**