

TANDBERG

Cassette Deck TCD 330

Illustrated Parts List

INSTRUCTIONS FOR ORDERING REPLACEMENT PARTS

NOTE! The numbers on the illustrations are index numbers and must not be used when ordering. Please refer to the parts list for the ordering number and description.

For service and replacement parts contact your nearest Tandberg office or write to:
Tandbergs Radiofabrikk A/S
Service and Spares Department
P.O. Box 218
N - 1301 SANDVIKA - Norway

Telex: 18007 kurer n

When ordering please quote the model and serial numbers together with the ordering number and the full description of each part required. The serial number is found on the rear of the apparatus.

Example: Model TCD 330 Serial number xxxxxxxx
313191 Window, counter, plastic
294420 Socket, jack, 3 pole 1/4"

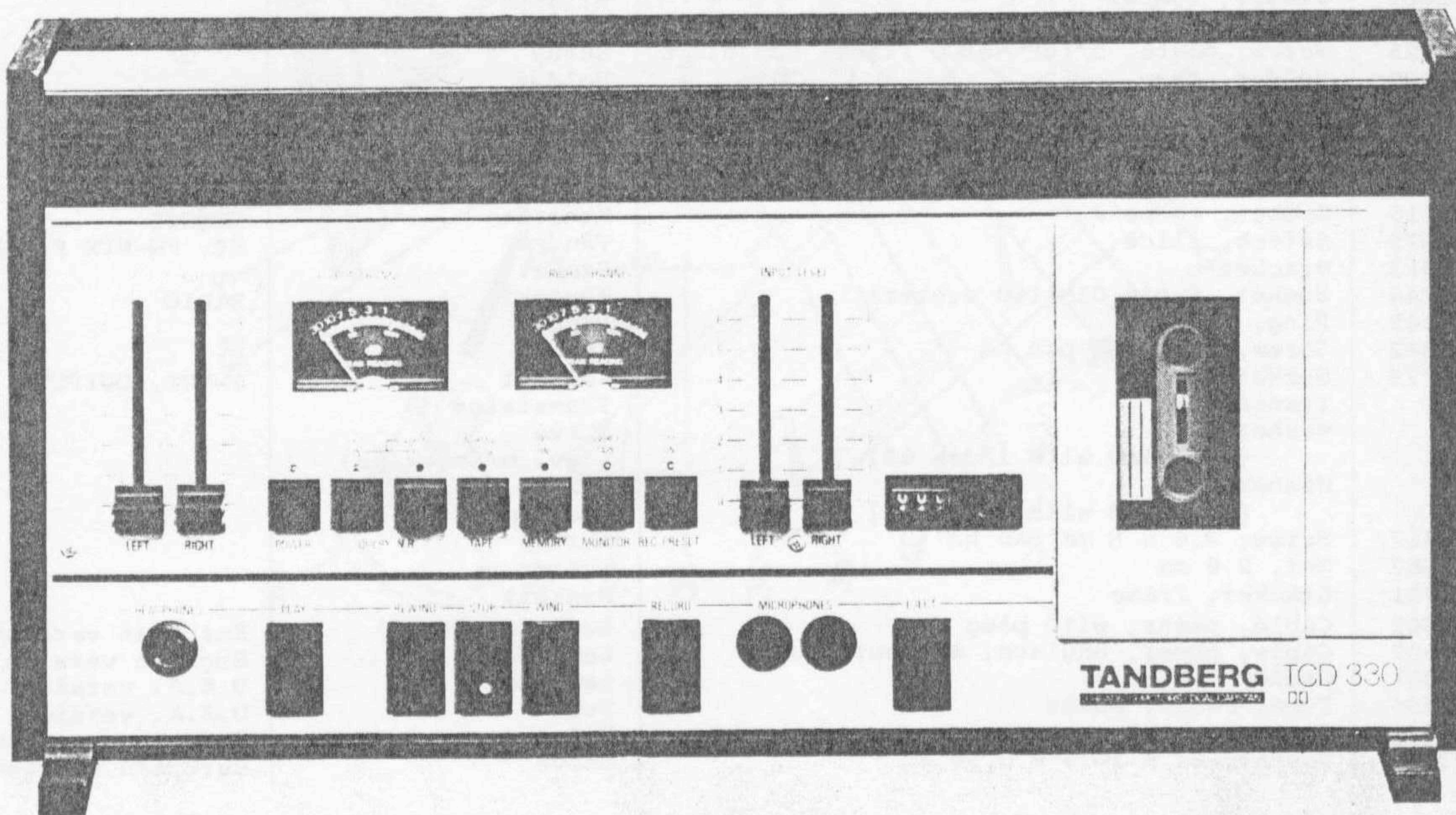
INSTRUKS FOR BESTILLING AV DELER

MERK! Tallene på tegningen er indeksnumre og må ikke brukes ved bestilling. Bestillingsnummer og beskrivelse finnes i listen.

For service og servicedeler kontakt nærmeste Tandberg kontor eller bruk adressen som står ovenfor.

Modell og serienummer må alltid oppgis ved bestilling av deler. Bestillingsnummer og beskrivelse finnes i listen. Serienummeret finnes på baksiden av apparatet.

Eksempel: Modell TCD 330 Serienr. xxxxxxxx
313191 Vindu
294420 Jack



SPECIFY THIS WHEN ORDERING				
Index	Ordering No.	Description (notes)	Beskrivelse (merknader)	Reference
1	* 349239	CHASSIS ASSEMBLY Plate, top (supplied with index 2 to 5 incl.)	SJASSIS-ENHET Plate (lev. m/index 2-5)	
2	292581	Mask, felt	Plate	
3	313191	Window, counter, plastic	Vindu	
4	346250	Surround, plastic	Ramme	
5	346840	Screw, plate, 1/4" No. 4 flange hd, black	Skrue	
6	994119	Knob, black, plastic, with spring	Knapp	INPUT LEVEL, OUTPUT LEVEL
7	994119	Knob, black, plastic, with spring	Knapp	
8	294556	Screw, plate, 3/8" No. 4 csk hd	Skrue	
9	347163	Plate, top	Skinne	
10	309060	Screw, plate, 1/4" No. 6 pan hd	Skrue	
11	344750	Cover	Deksel	
12	343694	Window, plastic	Vindu	
13	346028	Cover, with spindle	Lokk	
14	345862	Spring	Fjær	
15	230542	Ring, circlip, 2.3 mm	Skive	
16	316086	Plate, front	Skinne	
17	294420	Socket, jack, 3 pole 1/4"	Jack	HEADPHONES
18	317372	Nut	Mutter	
19	319096	Bracket, push switch	Bøyle	
20	994550	Switch	Bryter	
21	286532	Bulb, 12 V 40 mA	Lampe	PLAY, REWIND, STOP, WIND, RECORD PLAY, REWIND, STOP, WIND, RECORD RECORD PLAY, REWIND, STOP, WIND
22	347586	Button, touch, plastic	Deksel	
23	348563	Button, touch, plastic	Deksel	
24	316474	Spindle	Aksel	
25	237970	Ring, circlip, 1.5 mm	Skive	
26	274162	Socket, 5 pin DIN 180 degrees	Kontakt	MICROPHONES, European version MICROPHONES, USA. version European version U.S.A. version EJECT
27	294420	Socket, jack, 3 pole 1/4"	Jack	
28	315691	Surround, DIN socket, plastic	Skive	
29	317372	Nut	Mutter	
30	318155	Spindle	Deksel	
31	994152	Foot, pair (supplied with index 31 to 33 incl.)	Fot (lev. m/index 31-33)	
32	* 324297	Plate	Plate	
33	309693	Foot, rubber	Fot	
34	333197A	Screw, plate, 1/4" No. 4 flange hd	Skrue	
35	334878A	Panel, teak	Kassett, teak	} supplied in matched pairs parvis tilpasset
36	331164A	Panel, rosewood	Kassett, palisander	
37	353075	Panel, walnut	Kassett, nøtt	
38	332845	Panel, black	Kassett, sort	
39	332845	Panel, white	Kassett, hvit	
40	262984	Screw, plate, 5/8" No. 6 pan hd, black	Skrue	
41	309599B	Plate, side wall, left	Plate	
42	288141	Screw, plate, 3/8" No. 6 flange hd	Skrue	
43	272739	Nut, plate	Mutter	
44	345316	Transformer	Transformator	
45	334807	Screw, 4 x 8 mm, pan hd	Skrue	
46	202332	Washer, 4.3 mm	Skive	230 V 115 V
47	290211	Plate, isolation	Plate	
48	227949	Foot, rubber	Fot	
49	349390	Plate, side wall, right (supplied with index 45 to 49 incl.)	Plate (lev. m/index 45-49)	
50	349964	Bracket, cover	Brakett	
51	239651	Ring, circlip, 3.2 mm	Skive	
52	347070	Washer	Skive	
53	347543	Spring	Fjær	
54	351581	Sleeve, rubber	Strømpe	
55	319448A	Cover, bottom	Plate	
56	297925	Screw, plate, 5/16" No. 6 flange hd, black	Skrue	
57	277509	Holder, fuse	Holder	
58	265736	Fuse, 2 A, 5 x 20 mm, slow	Sikring	
59	289629	Fuse, 2 A, 1 1/4" x 1/4"	Sikring	
60	335289A	Plate, rear wall	Skinne	
61	300612A	Guide, plastic	Klammer	
62	287616	Socket, 15 pole	Kontakt	REMOTE
63	335095	Switch, slide	Vender	S8, FM-MPX FILTER
64	348413	Bracket	Brakett	RADIO
65	242244	Socket, 5 pin DIN 180 degrees	Kontakt	
66	282645	Ring, rubber	Ring	
67	290842	Screw, 3 x 6 mm pan hd	Skrue	
68	283773	Socket, phono	Kontakt	INPUT, OUTPUT
69	*	Transistor	Transistor	
70	*	Washer (supplied with index 63)	Skive (lev. m/index 63)	
71	*	Washer (supplied with index 63)	Skive (lev. m/index 63)	
72	296417	Screw, 2.6 x 8 mm pan hd	Skrue	
73	271367	Nut, 2.6 mm	Mutter	
74	319721	Bracket, frame	Brakett	
75	335569	Cable, power, with plug	Ledning	European version
76	267697	Cable, power, England, without plug	Ledning	English version
77	299621	Cable	Ledning	U.S.A. version
78	281454	Tube, cable, power	Tube	U.S.A. version
79	284744	Grommet, cable, power	Hylse	European version
80	273832	Washer, 22 x 10.2 x 0.56 mm	Skive	European version

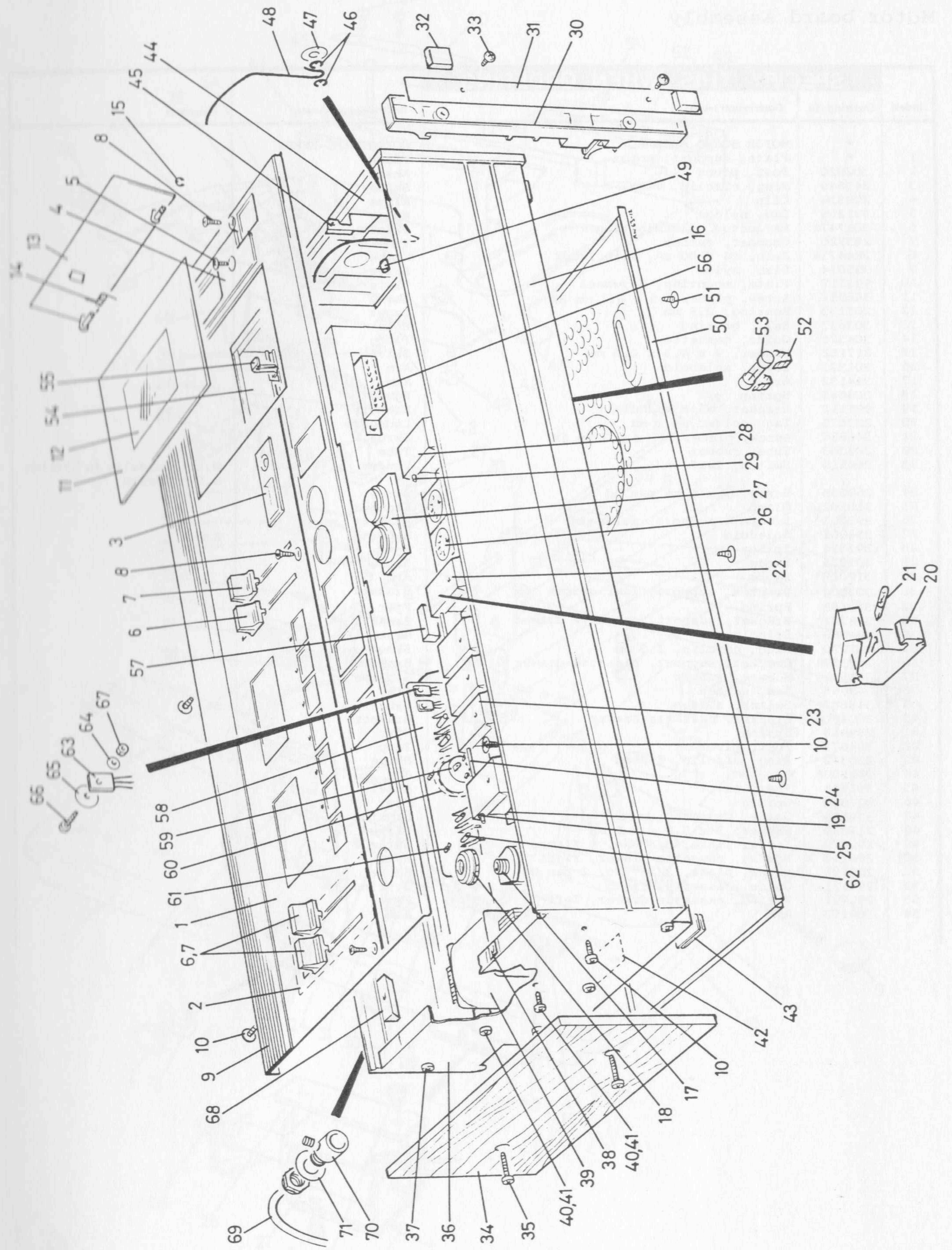


Fig.1 Chassis assembly

Motor board assembly

SPECIFY THIS WHEN ORDERING			
Index	Ordering No.	Description (notes)	Beskrivelse (merknader)
1	*	MOTOR BOARD ASSEMBLY	MOTORPLATE -ENHET
2	302020	Plate, support, motor	Plate
3	245649	Post, pivot	Aksel
4	229824	Ring, circlip, 4 mm	Skive
5	301395	Clip	Klips
6	301747A	Cam, nylon	Hylse
7	285720	Reflector, illumination	Skjerm
8	284471A	Grommet, rubber	Tube
9	355014	Bulb, 14 V 80 mA, with leads	Lampe
10	994117	Disc, nylon	Skive
11	346854	Plate, mounting, flywheel	Plate
12	207173	Screw, plate, 3.5 x 6.3 mm 6K	Skrue
13	303622	Bearing, 2.5 mm	Lager
14	304326	Ball, bearing	Kule
15	217152	Guide, cassette	Plugg
16	301323	Washer, 9 x 4.3 x 0.8 mm	Skive
17	344132	Lever, solenoid	Arm
18	304685	Arm	Arm
19	994112	Spring	Fjær
20	223675	Bracket, with spindle	Brakett
21	223675	Tag, solder, 4.2 mm	Loddeøre
22	346854	Screw, plate, 3.5 x 6.3 mm 6K	Skrue
23	202303	Tube, rubber	Tube
24	284119	Switch, leaf, n/o	Vender
24	269255	Screw, 3 x 4 mm pan hd	Skrue
25	318392	Clamp	Klammer
26	995703	Bracket, support, solenoid	Brakett
27	354001	Solenoid	Magnet
28	293824	Spring	Fjær
29	307925	Screw	Skrue
30	317013	Lever	Arm
31	303004	Bracket, support, leaf switch	Brakett
32	313183	Spring	Fjær
33	346732	Bracket, support, cassette drawer	Brakett
34	301668	Spindle	Aksel
35	237970	Ring, circlip, 1.5 mm	Skive
36	347357A	Bracket, support, cassette drawer	Brakett
37	351581	Sleeve, rubber	Strømpe
38	345668	Arm, switch	Arm
39	348887	Switch, slide	Vender
40	300490A	Bracket, cassette drawer	Brakett
41	289413	Spring	Fjær
42	304678	Post, pivot	Tapp
43	230542	Ring, circlip, 2.3 mm	Skive
44	287380A	Arm	Arm
45	301316	Post, pivot	Aksel
46	237360	Spring	Fjær
47	994120	Guide, cassette, left	Styring
48	215320	Washer, 7 x 3.2 x 0.5 mm	Skive
49	292875	Screw, plate, 3/8" No. 4 flange hd	Skrue
50	290110	Spring, cassette drawer, right	Fjær
51	299606	Screw, plate, 3/16" No. 2 pan hd	Skrue
52	994121	Guide, cassette, right	Styring
53	291791	Spring, cassette drawer, left	Fjær
54	304103	Arm	Arm

M.S.1 Cassette, M.S.2 Slide
M.S.3 Record

Eject.

S9

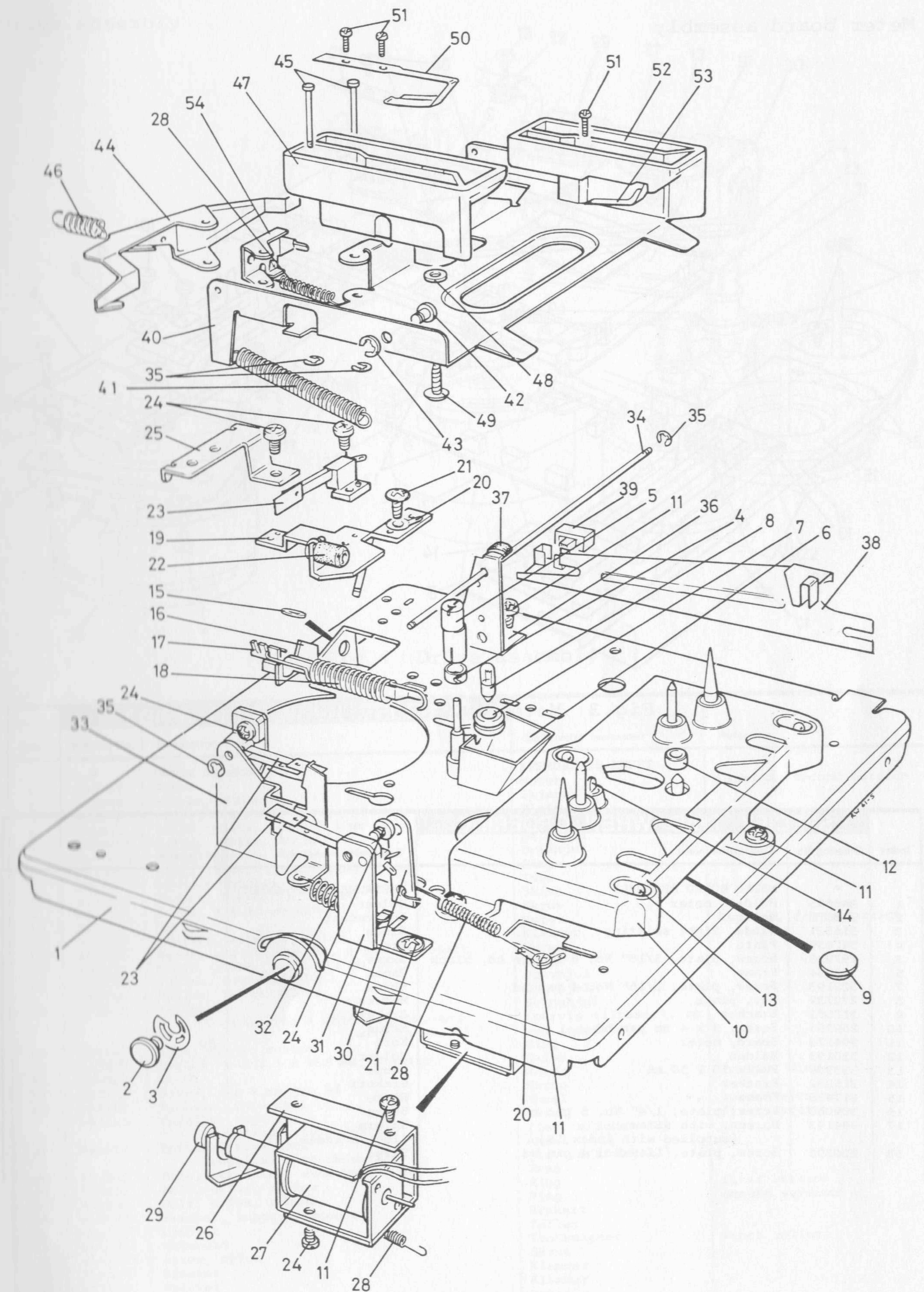


Fig.2 Motor board assembly

Meter board assembly

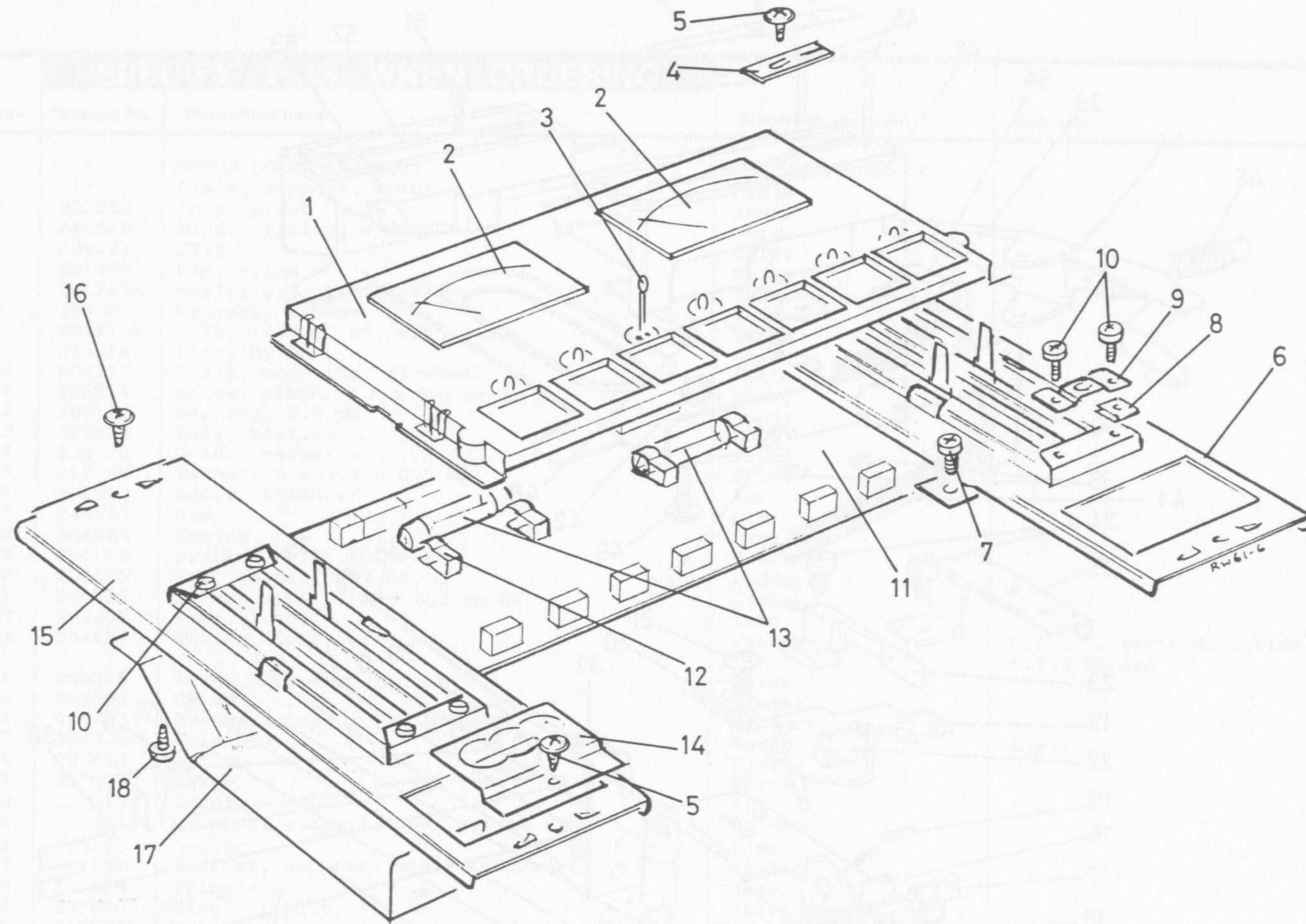


Fig.3 Meter board assembly

SPECIFY THIS WHEN ORDERING				
Index	Ordering No.	Description (notes)	Beskrivelse (merknader)	Reference
	*	METER BOARD ASSEMBLY	INSTRUMENTKORT -ENHET	
1	346645	Holder, meter	Holder	
2	348075	Meter	Instrument	
3	316531	Diode, light emitting	Diode	
4	347659	Plate	Stag	
5	297925	Screw, plate, 5/16" No. 6 flange hd, black	Skruer	
6	315734	Frame	Ramme	
7	322193	Screw, plate, 3/16" No. 4 pan hd	Skruer	
8	272739	Nut, plate	Mutter	
9	317063	Bracket	Brakett	
10	269255	Screw, 3 x 4 mm pan hd	Skruer	
11	994173	Board, meter	Kort	A9
12	330195	Holder	Holder	
13	333909	Bulb, 10 V 50 mA	Lampe	
14	315382	Bracket	Brakett	
15	317415	Frame	Ramme	
16	309060	Screw, plate, 1/4" No. 6 pan hd	Skruer	
17	994193	Screen, with screw (supplied with index 18)	Skjerm (lev. m/index 18)	
18	220392	Screw, plate, 1/4" No. 4 pan hd	Skruer	

Drive assembly

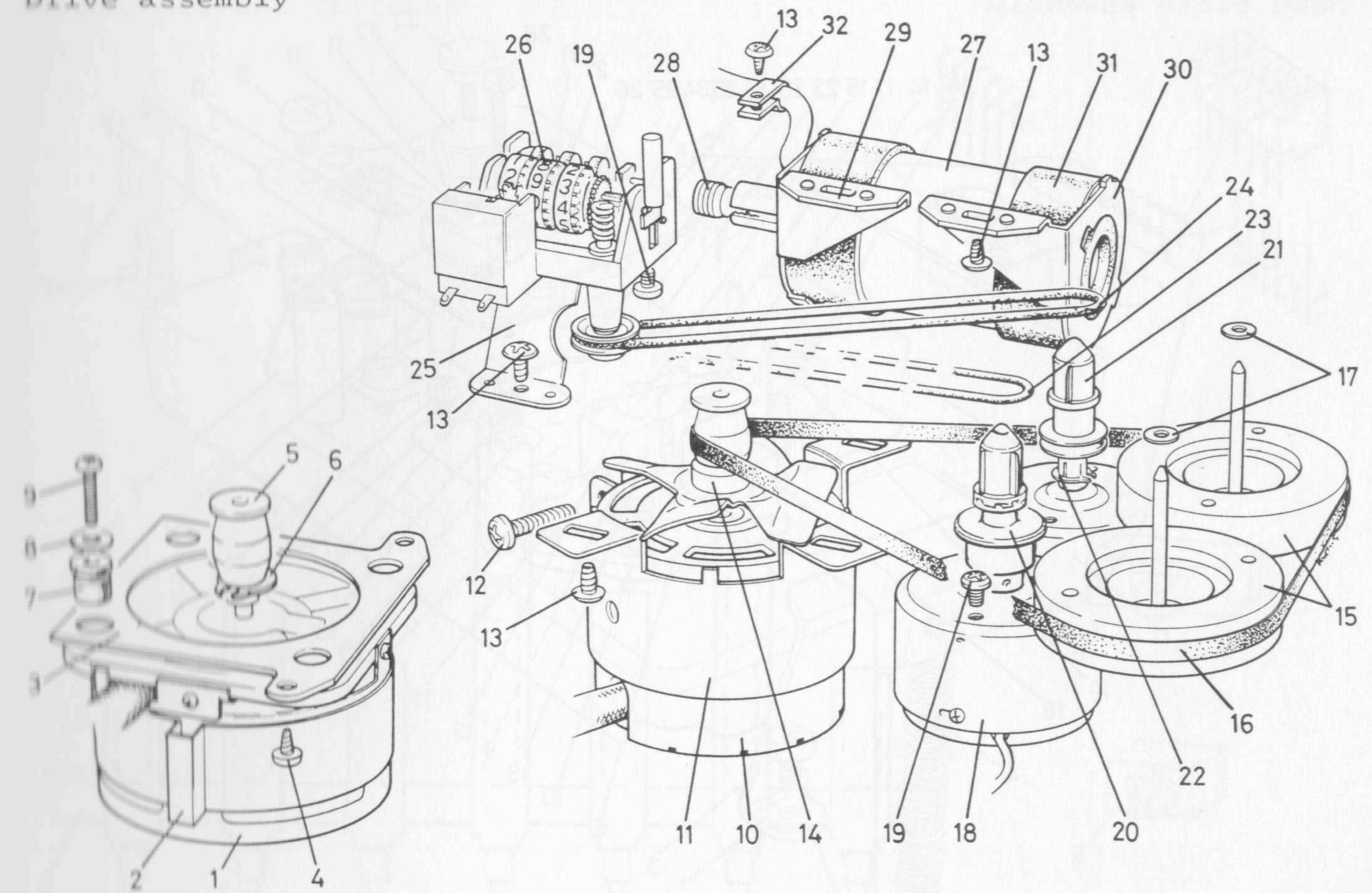


Fig.4 Drive assembly

SPECIFY THIS WHEN ORDERING				
Index	Ordering No.	Description (notes)	Beskrivelse (merknader)	Reference
	*	DRIVE ASSEMBLY	FREMDRIFTS-ENHET	
1	283767	Motor	Motor	Capstan, second version
2	343248	Screen, motor	Skjerm	
3	358376	Plate, mounting, motor	Plate	
4	346854	Screw, plate, 3.5 x 6.3 mm 6K	Skruer	
5	318342A	Pulley, drive, 50 Hz	Drivhjul	
	316309A	Pulley, drive, 60 Hz	Drivhjul	
6	213826	Ring, retaining, external, 6 mm	Ring	
7	356695	Grommet, rubber	Tube	
8	217152	Washer, 9 x 4.3 x 0.8 mm	Skive	
9	293852	Screw, 3 x 15 mm pan hd	Skruer	
10	280405	Motor	Motor	Capstan, first version
11	302645	Bracket, support, motor	Klammer	
12	262984	Screw, plate, 5/8" No. 6 pan hd, black	Skruer	
13	346854	Screw, plate, 3.5 x 6.3 mm 6K	Skruer	
14	994158	Pulley, drive, 50 Hz	Drivhjul	
	994159	Pulley, drive, 60 Hz	Drivhjul	
15	994111	Flywheel (supplied as a matched pair, and with index 16)	Svinghjul (parvis tilpasset, og med index 16)	
16	994183	Belt, drive, rubber	Ring	
17	285369	Washer, 6 x 2.7 x 0.5 mm, plastic	Skive	
18	284823	Motor	Motor	Rewind, Wind
19	269255	Screw, 3 x 4 mm pan hd	Skruer	
20	994187	Spindle, tape reel	Aksel	second version
	994113	Spindle, tape reel (supplied with index 22)	Aksel (lev. m/index 22)	first version
21	994113	Spindle, tape reel (supplied with index 22)	Aksel (lev. m/index 22)	
22	213826	Ring, retaining, external, 6 mm	Ring	first version
23	300001	Belt, drive, rubber	Ring	second version
24	309600	Belt, drive, rubber	Ring	
25	315030A	Bracket, support, counter	Brakett	
26	319139	Counter	Teller	
27	994185	Solenoid	Trekkmagnet	Pinch roller
28	264212A	Screw, nylon	Skruer	
29	302623	Bracket	Klammer	
30	302300	Bracket	Klammer	
31	300942A	Housing, rubber	Hylse	
32	202684	Clamp, cable, nylon, 5 mm	Klammer	

Head plate assembly

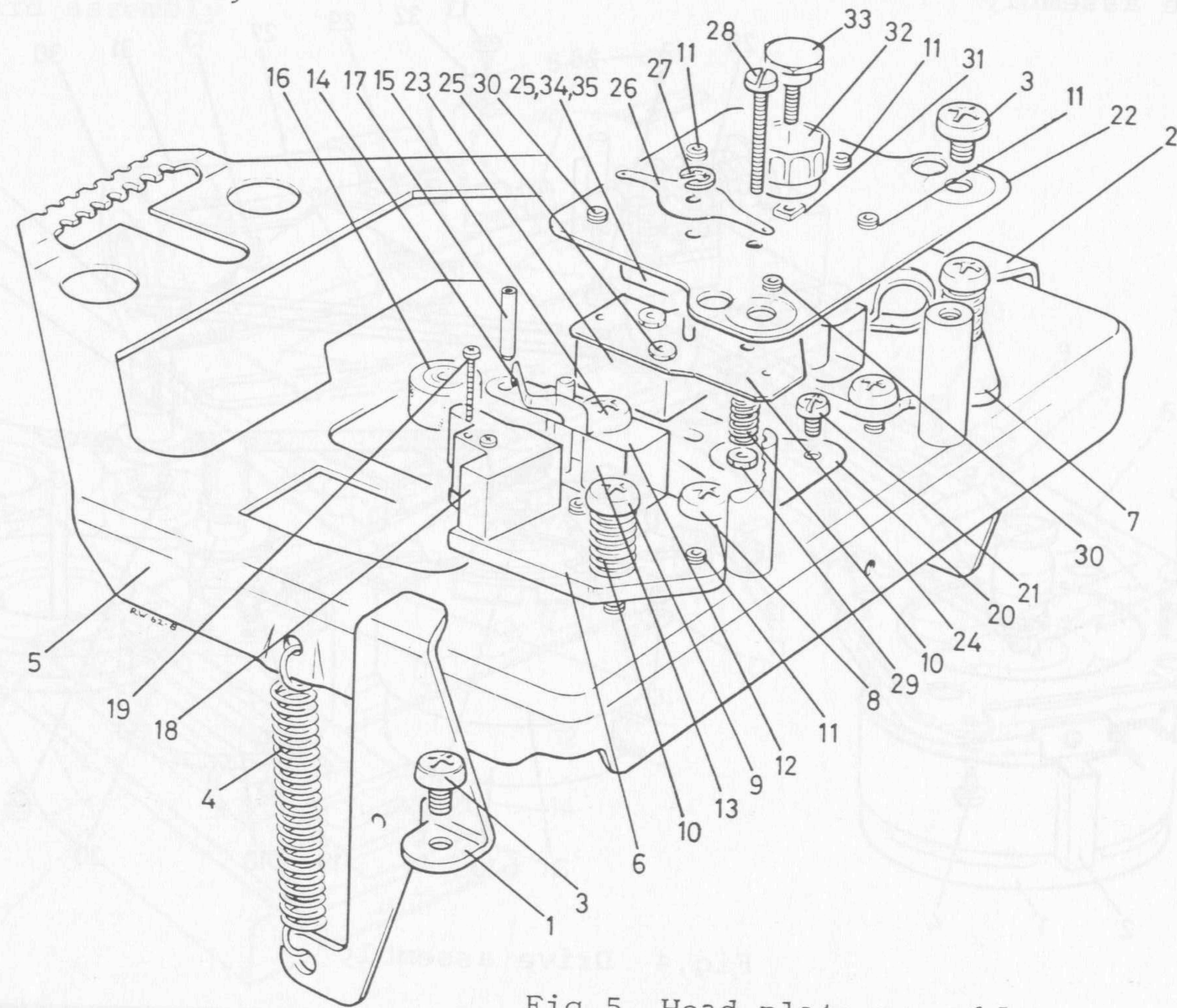


Fig.5 Head plate assembly

SPECIFY THIS WHEN ORDERING				
Index	Ordering No.	Description (notes)	Beskrivelse (merknader)	Reference
* HEAD PLATE ASSEMBLY				
1	304333A	Bracket, guide, head plate, left	HODEBRO-ENHET	
2	345676	Bracket, guide, head plate, right	Arm	
3	269255	Screw, 3 x 4 mm pan hd	Arm	
4	287732	Spring	Skrue	
5	*	Plate, mounting, head	Fjær	
6	348061	Plate, pressure, left	Plate	
7	346380	Plate, pressure, right	Plate	
8	292523	Screw, 3 x 8 mm pan hd	Plate	
9	293852	Screw, 3 x 15 mm pan hd	Skrue	
10	240406A	Spring	Skrue	
11	890002	Screw, set, 3 x 7 mm	Fjær	
12	342307	Bracket, U-shaped, pressure roller	Skrue	
13	337479A	Spacer	Bøyle	
14	346997	Spring	Hylse	
15	292171	Screw, 3 x 12 mm pan hd	Fjær	
16	333126	Roller, pressure, rubber	Skrue	
17	341553	Spindle	Valse	
18	715548	Head, erase	Aksel	
19	340281	Screw, 1.7 x 12 mm pan hd	Hode	
20	285699A	Spring, flat	Skrue	
21	294520	Screw, 2.3 x 3 mm pan hd	Fjær	
22	352608	Plate, mounting, head, with nut (supplied with index 31)	Skrue	
23	715546	Head, record, with plate (supplied with index 24 and 25)	Plate (lev. m/index 31)	
24	349742	Plate, mounting, head	Hode (lev. m/index 24,25)	
25	336517	Nut	Plate	
26	339433	Spring	Mutter	
27	234256	Ring, circlip, 1.9 mm	Fjær	
28	326660	Screw, 2 x 15 mm pan hd	Skive	
29	335755	Nut, 2 mm	Skrue	
30	890001	Screw, set, 3 x 6 mm	Mutter	
31	341395	Nut, plastic	Skrue	
32	347458	Knob, black, plastic	Hylse	
33	347385	Screw	Hylse	
34	994189	Head, playback, with plate (supplied with index 25 and 35)	Skrue	
35	337400	Plate, mounting, head	Hode (lev. m/index 25,35)	

Connectors and switches

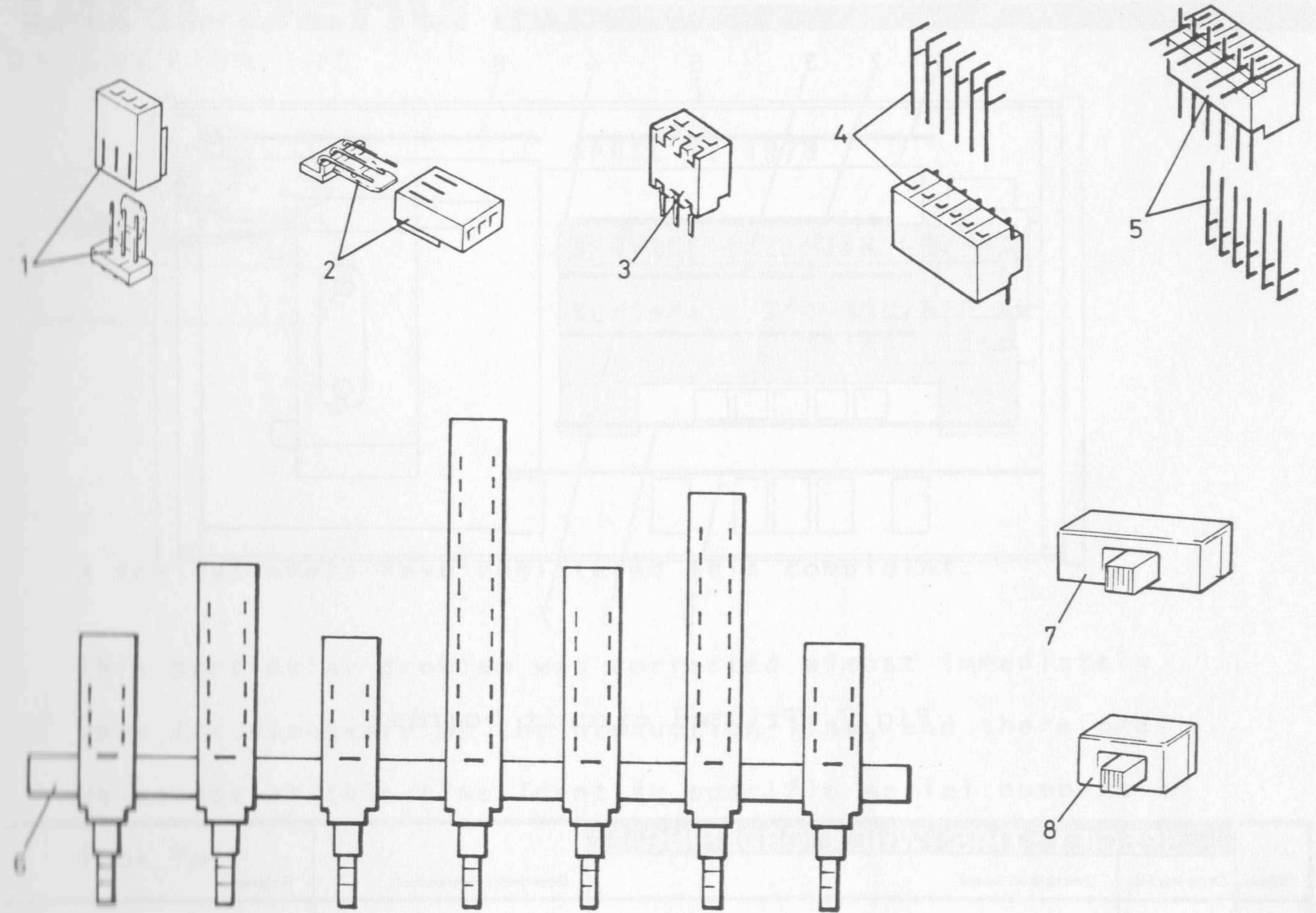
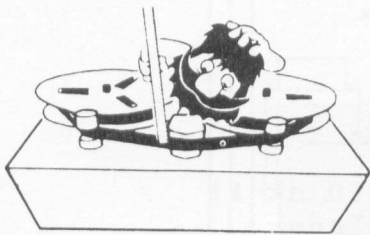


Fig.6 Connectors and switches

SPECIFY THIS WHEN ORDERING				
Index	Ordering No.	Description (notes)	Beskrivelse (merknader)	Reference
* CONNECTORS				
1	995818	Connector, 2 pole, small	KONTAKTER	
	995819	Connector, 3 pole, small	Kontakt	
	995820	Connector, 4 pole, small	Kontakt	
	995821	Connector, 5 pole, small	Kontakt	
2	996301	Connector, 3 pole, horizontal, small	Kontakt	
3	318320	Connector, fixed, 3 pole	Kontakt	
4	996302	Connector, 3 pole, black	Kontakt	
	996303	Connector, 6 pole, black	Kontakt	
5	996304	Connector, 3 pole, black	Kontakt	
	996305	Connector, 6 pole, black	Kontakt	
* SWITCHES				
6	339498	Switch, push	VENDERE	POWER, DOLBY N.R., TAPE, MEMORY, MONITOR, REC. PRESET
7	348887	Switch, slide	Vender	S9
8	335095	Switch, slide	Vender	S8, FM-MPX FILTER

TANDBERG

OF AMERICA, INC.



May 7, 1979

SERVICE BULLETIN NO. 1

Subject: 1. TCD-330 with frozen
ball bearings
2. Maintenance

1. We have had some TCD-330's back for service from both dealers, warranty stations and customers with the following complaint:

"Bad recording/play and drop in volume"

The problem has simply been frozen pinchrollers due to lack of oil in the bearings.

Solution:

Replace both pinchrollers and put a fraction of a drop of good thin oil in the bearings. Remember also to clean the pinchroller shaft before the new pinchrollers are installed.

2. Maintenance on all pinchrollers:

Pinchrollers should not be overcleaned. Four to five times a year is sufficient. Freon TF from Dupont is very good to use. After cleaning insert the rubber with a little talcum powder to prevent stickiness.

Sincerely,

TANDBERG OF AMERICA, INC.

Tor Sivertsen
Technical Director

TS/amm

Printed circuit boards

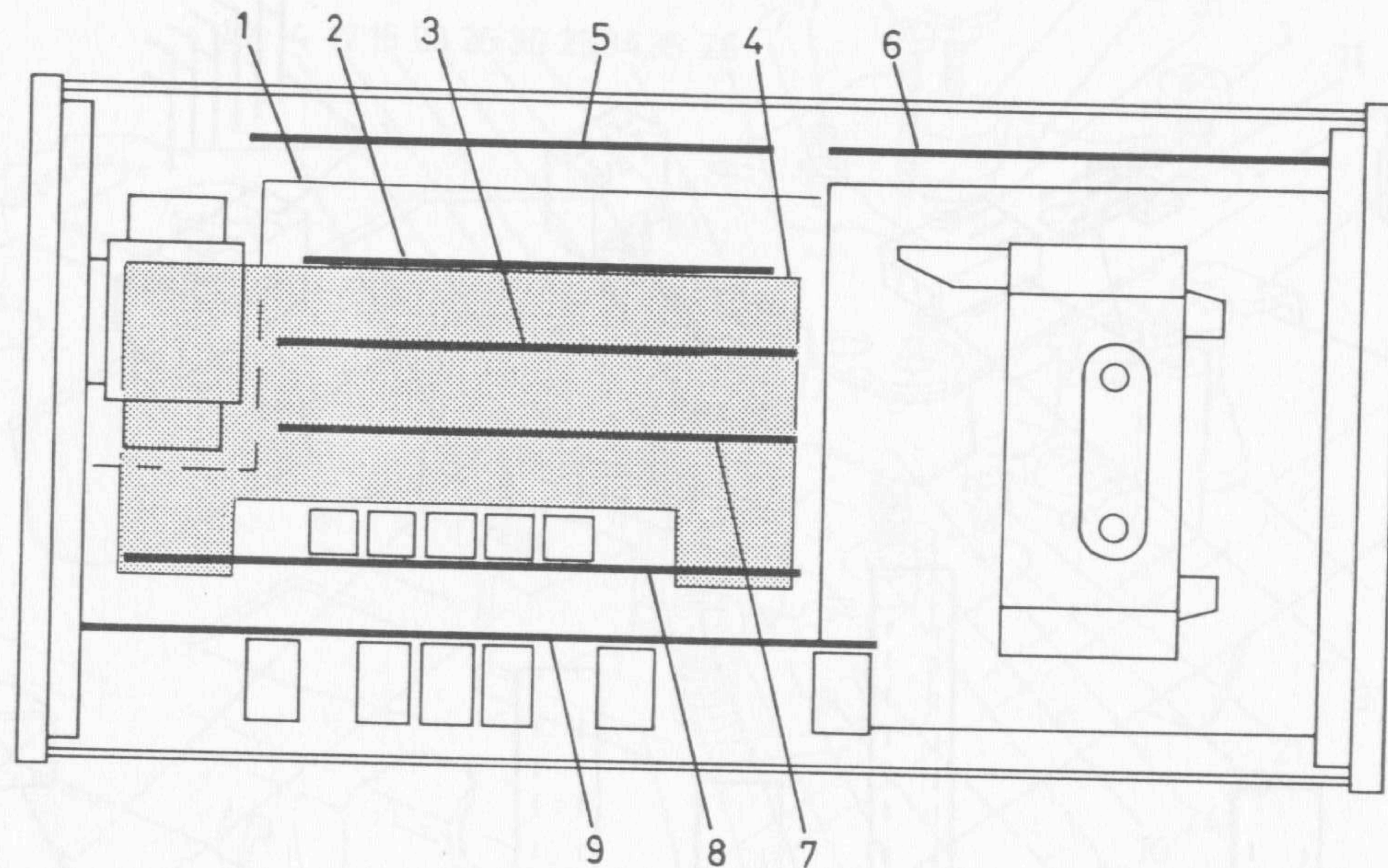
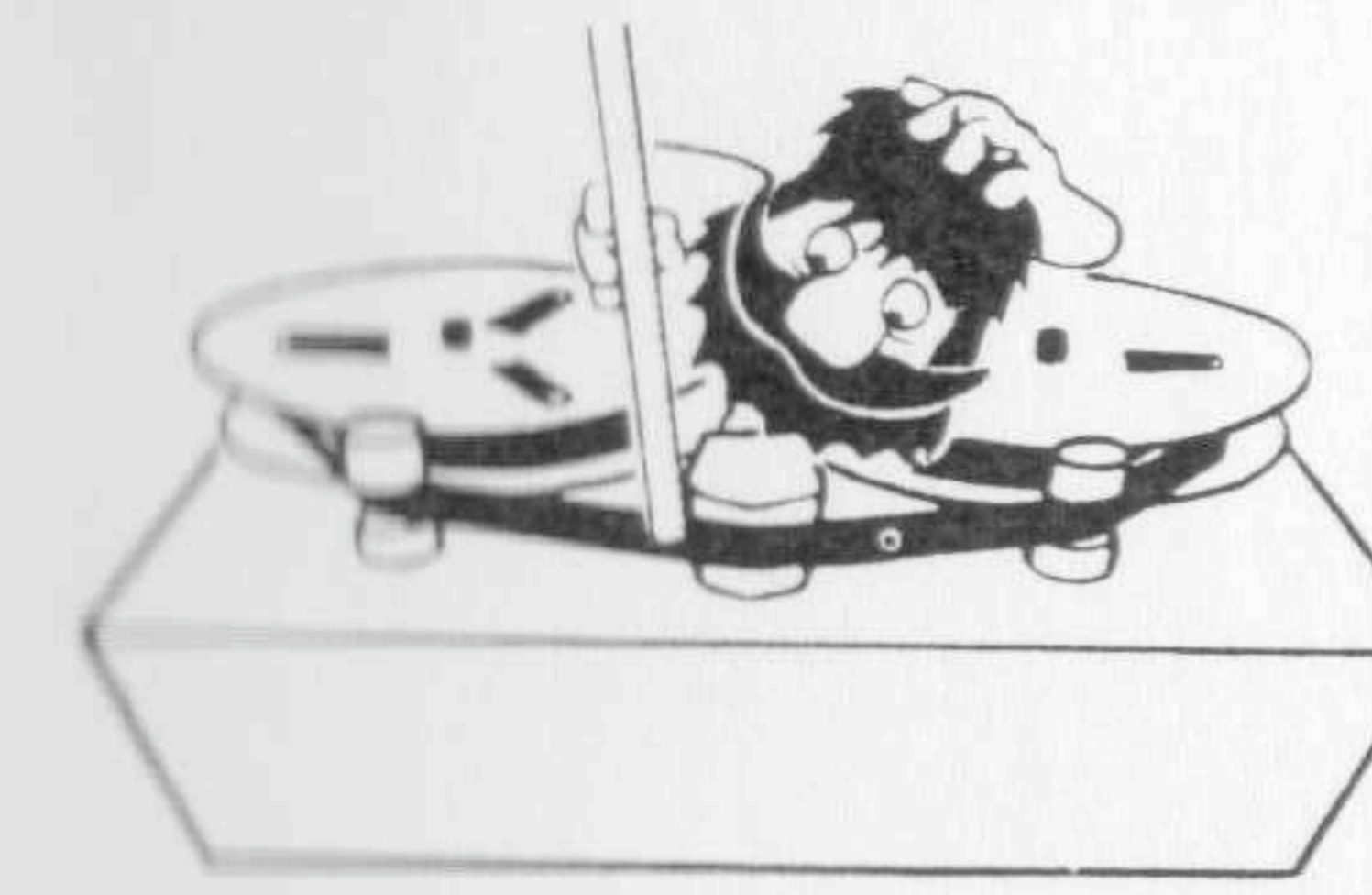


Fig.7 Printed circuit boards

SPECIFY THIS WHEN ORDERING				
Index	Ordering No.	Description (notes)	Beskrivelse (merknader)	Reference
	*	PRINTED CIRCUIT BOARDS	TK PLATER	
1	994162	Board, main	Kort	A1
	994163	Board, main	Kort	A1, U.S.A. version
2	994170	Board, playback amplifier	Kort	A6
3	994169	Board, Dolby encoder	Kort	A5, U.S.A. version
	994174	Board, Dolby encoder	Kort	A5
4	994173	Board, meter	Kort	A9
5	994171	Board, Dolby decoder	Kort	A7
6	994172	Board, oscillator	Kort	A8
7	994168	Board, record amplifier	Kort	A4
8	994166	Board, switch	Kort	A3
9	994164	Board, logic	Kort	A2
	994165	Board, logic	Kort	A2, U.S.A. version

TANDBERG

OF AMERICA, INC.



APRIL 1, 1978

SERVICE BULLETIN NO. 4

Subject: TCD-330/310 Mk II
"Eating" Tape

A few customers have registered this complaint.

This particular problem was corrected almost immediately upon its discovery on the production line, and therefore, we cannot at this time identify specific serial numbers to look for.

Should any of your customers encounter this problem, please contact our Service Manager, Mr. Egil Moe, on our toll-free number; 800-431-1506.

Sincerely,

TANDBERG OF AMERICA, INC.

Tor Sivertsen
Technical Director

TS/tm