

TANDBERG

TCD 310 Mk II

Illustrated Parts List

INSTRUCTIONS FOR ORDERING REPLACEMENT PARTS

For service and replacement parts contact your nearest Tandberg office or

write to: Tandbergs Radiofabrikk A/S
Service and Spares Department
P.O. Box 218
N 1301 Sandvika, Norway

Telex: 18007 kurer n

When ordering please quote the model and serial numbers together with the ordering number and the full description of each part required. The serial number is a seven digit number found on the rear of the apparatus.

Example: Model TCD 310 MkII Serial number xxxxxxxx
994119 Knapp

Note! The numbers on the illustrations are index numbers and must not be used when ordering. Please refer to the parts list for the ordering number and description.

* These parts are not available as replacement parts.

INSTRUKS FOR BESTILLING AV DELER

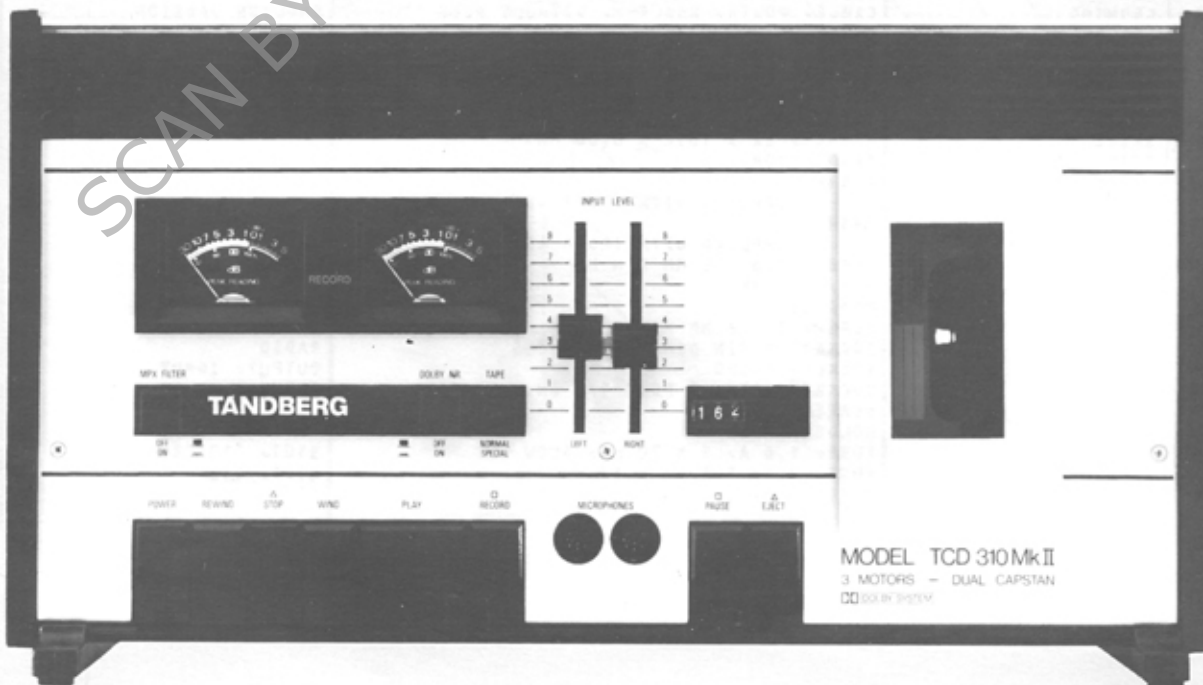
For service og servicedeler kontakt nærmeste Tandberg kontor eller bruk adressen som er vist ovenfor.

Modell og serienummer må alltid oppgis ved bestilling av deler. Bestillingsnr. og beskrivelse finnes i listen. Det 7-sifrede serienr. finnes på baksiden av apparatet.

Eksempel: Modell TCD 310 MkII Serienr. xxxxxxxx
994119 Knapp

Merk! Tallene på tegningene er indeksnumre og må ikke brukes ved bestilling. Bestillingsnr. og beskrivelse finnes i listen.

* Leveres ikke som servicedel.



Chassis assembly

SPECIFY THIS WHEN ORDERING				
Index	Ordering No.	Beskrivelse (merknader)	Description (notes)	Reference
1	* 995103	SJASSIS-ENHET PLATE (LEV. M/INDEX 2,3)	CHASSIS ASSEMBLY PLATE, TOP (SUPPLIED WITH INDEX 2 AND 3)	
2	313191	VINDU	WINDOW, COUNTER, PLASTIC	
3	292581	PLATE	MASK, FELT	
4	994119	KNAPP	KNOB, BLACK, PLASTIC, WITH SPRING	INPUT LEVEL
5	353061	KNAPP	BUTTON, PUSH, BLACK, PLASTIC	MPX FILTER, DOLBY NR., TAPE
6	294556	SKRUE	SCREW, PLATE, 3/8" NO. 4 CSK HD	
7	995105	SKINNE	PLATE, TOP, REAR, WITH MESH	
8	309060	SKRUE	SCREW, PLATE, 1/4" NO. 6 PAN HD	
9	290447	SKRUE	SCREW, PLATE, 3/8" NO. 6 PAN HD	
10	995113	DEKSEL (LEV. M/INDEX 11)	COVER (SUPPLIED WITH INDEX 11)	
11	343694	VINDU	WINDOW, PLASTIC	
12	359928	SKINNE (LEV. M/INDEX 13)	PLATE, FRONT (SUPPLIED WITH INDEX 13)	
13	*	AKSEL	ROD	
14	354462	KNAPP	BUTTON, BLACK, PLASTIC	POWER, REWIND, WIND, PAUSE EJECT
15	352429	KNAPP	BUTTON, BLACK, PLASTIC	
16	350582	FJÆR	SPRING	
17	352263	TAPP	PEG	
18	354296	FJÆR	SPRING	
19	354110	KNAPP	BUTTON, BLACK, PLASTIC	PLAY
20	350748	KNAPP	BUTTON, BLACK, PLASTIC	STOP
21	350396	HYLSE	ARM, PLASTIC	
22	227899	SKRUE	SCREW, PLATE, 1/4" NO. 6 FLANGE HD	
23	207418	LODDEØRE	TAG, SOLDER, 4.2 MM	
24	274162	KONTAKT	SOCKET, 5 PIN DIN 180 DEGREES	MICROPHONES
25	294420	JACK	SOCKET, JACK, 3 POLE 1/4 IN.	MICROPHONES
26	313837	SKIVE	SURROUND, DIN SOCKET, PLASTIC	
27	312156	MUTTER	NUT, PLASTIC	
28	286267	FJÆR	SPRING, FLAT	
29	994152	FOT (LEV. M/INDEX 28-30)	FOOT, PAIR (SUPPLIED WITH INDEX 28 TO 30 INCL.)	
30	324297	FOT	FOOT, RUBBER	
31	309693	SKRUE	SCREW, PLATE, 1/4" NO. 4 FLANGE HD	
32	348995	PLATE	PANEL, PLASTIC, BLACK	
33	262984	SKRUE	SCREW, PLATE, 3/8" NO. 6 PAN HD, BLACK	
34	309599B	PLATE	PLATE, SIDE WALL, LEFT	
35	290211	PLATE	PLATE, ISOLATION	
36	272739	MUTTER	NUT, PLATE	
37	349030	TRANSFORMATOR	TRANSFORMER	115/230V
38	347996	TRANSFORMATOR	TRANSFORMER	120/240V
39	334807	SKRUE	SCREW, 4 X 8 MM PAN HD	
40	202332	SKIVE	WASHER, 4.3 MM	
41	305885A	PLATE	PLATE, SIDE WALL, RIGHT	
42	227949	FOT	FOOT, RUBBER	
43	301596A	PLATE	COVER, BOTTOM	
44	297925	SKRUE	SCREW, PLATE, 5/16" NO. 6 FLANGE HD, BLACK	
45	350230	SKINNE	PLATE, REAR WALL	
46	300612A	KLAMMER	GUIDE, PLASTIC	
47	267697	LEDNING	CABLE, POWER, ENGLAND, WITHOUT PLUG	ENGLISH VERSION
48	299621	LEDNING	CABLE	U.S.A. VERSION
49	335569	LEDNING	CABLE, POWER, WITH PLUG	EUROPEAN VERSION
50	335927	LEDNING	CABLE, POWER, WITH PLUG	SCANDINAVIAN VERSION
51	284744	HYLSE	GROMMET, CABLE, POWER	
52	281154	TUBE	TUBE, CABLE, POWER	U.S.A. VERSION
53	273832	SKIVE	WASHER, 22 X 10.2 X 0.56 MM	
54	*	TRANSISTOR	TRANSISTOR	
55	*	SKIVE (LEV. M/INDEX 48)	WASHER (SUPPLIED WITH INDEX 48)	
56	*	SKIVE (LEV. M/INDEX 48)	WASHER (SUPPLIED WITH INDEX 48)	
57	296417	SKRUE	SCREW, 2.6 X 8 MM PAN HD	
58	271367	MUTTER	NUT, 2.6 MM	
59	309247	BRAKETT	BRACKET	
60	290842	SKRUE	SCREW, 3 X 6 MM PAN HD	
61	274162	KONTAKT	SOCKET, 5 PIN DIN 180 DEGREES	RADIO
62	283773	KONTAKT	SOCKET, PHONO	OUTPUT, INPUT
63	294420	JACK	SOCKET, JACK, 3 POLE 1/4 IN.	PHONES
64	310397	PLATE	SCREEN	
65	277509	HOLDER	HOLDER, FUSE	
66	272207	SIKRING	FUSE, 1.6 A, 5 X 20 MM, SLOW	S101, 230/240 V
67	289629	SIKRING	FUSE, 2 A, 1 1/4" X 1/4"	S101, 115 V
68	307444	SIKRING	FUSE, 2 A, 1 1/4" X 1/4"	S101, US BASE

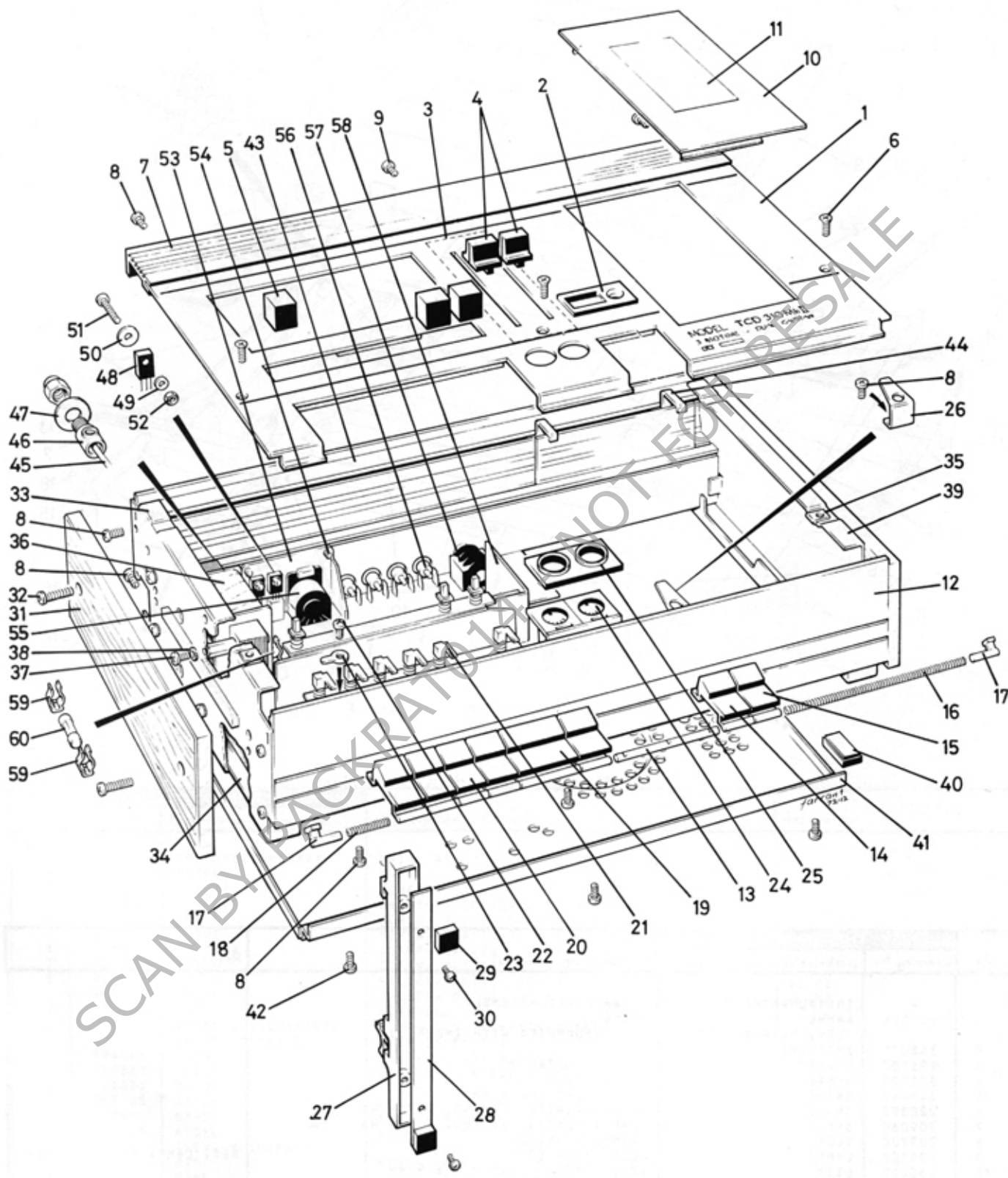


Fig.1 Chassis assembly

Meter board assembly

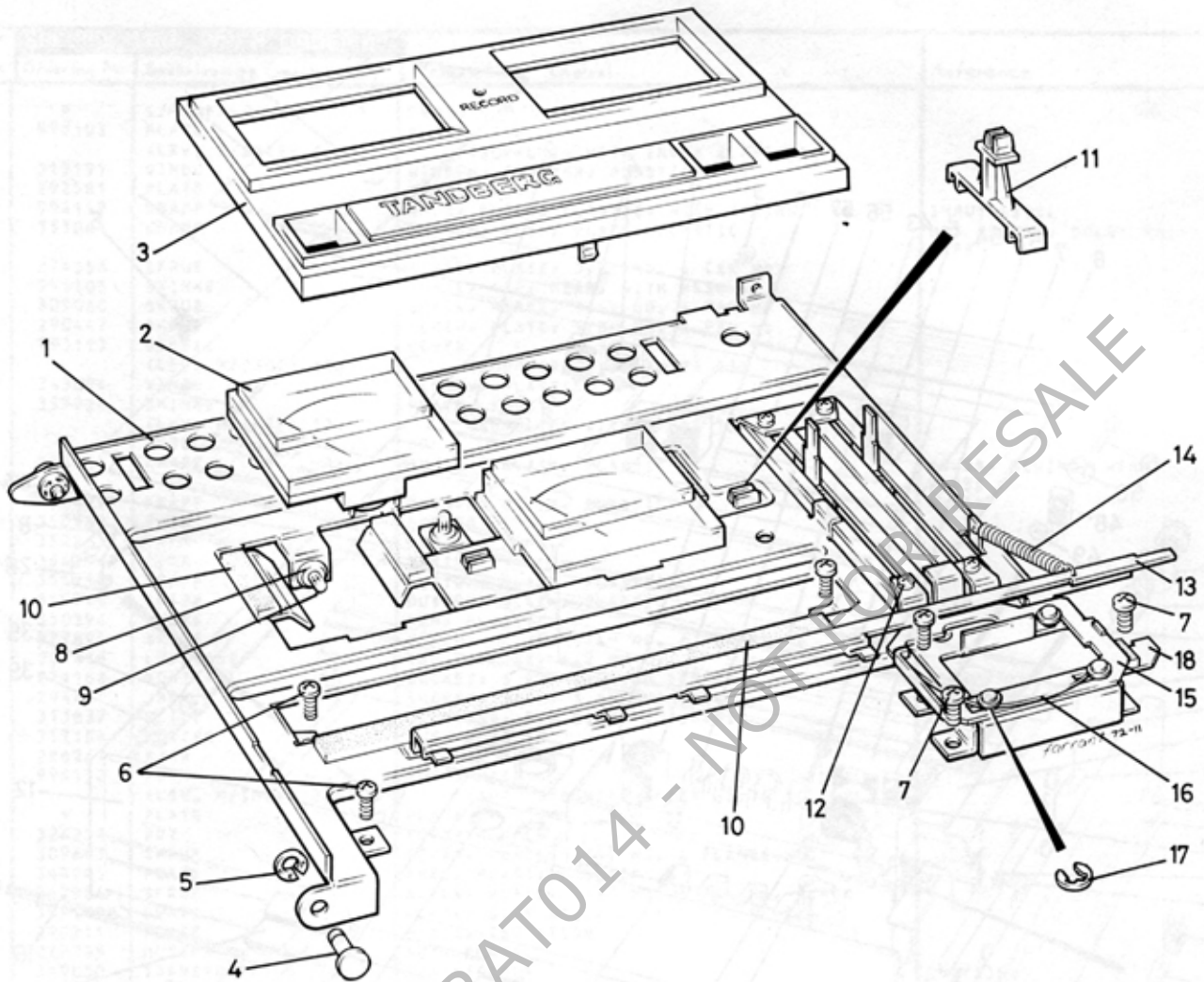


Fig.2 Meter board assembly

SPECIFY THIS WHEN ORDERING				Reference
Index	Ordering No.	Beskrivelse (merknader)	Description (notes)	
1	* 995104	INSTRUMENTKORT-ENHET RAMME (LEV. M/INDEX 10)	METER BOARD ASSEMBLY FRAME (SUPPLIED WITH INDEX 10)	REC. LAMP, METER ILLUM.
2	348075	INSTRUMENT	METER	
3	995100	HØLDER	HOLDER, METER	
4	303701	AKSEL	POST, PIVOT	
5	245649	SKIVE	RING, CIRCLIP, 4 MM	
6	220392	SKRUE	SCREW, PLATE, 1/4" NO. 4 PAN HD	
7	309060	SKRUE	SCREW, PLATE, 1/4" NO. 6 PAN HD	
8	285720	TUBE	GROMMET, RUBBER	
9	995102	LAMPE	BULB, 14 V 80 MA	
10	250477	LIST	STRIP, FOAM RUBBER, 3 X 9 MM	
11	289765A	KLAMMER	GUIDE, PLASTIC	
12	269255	SKRUE	SCREW, 3 X 4 MM PAN HD	
13	310123	SKINNE	ARM, LOCKING	
14	279040	FJÆR	SPRING	
15	291726	RAMME	PLATE	
16	291022	FJÆR	SPRING	
17	239651	SKIVE	RING, CIRCLIP, 3.2 MM	

Drive assembly

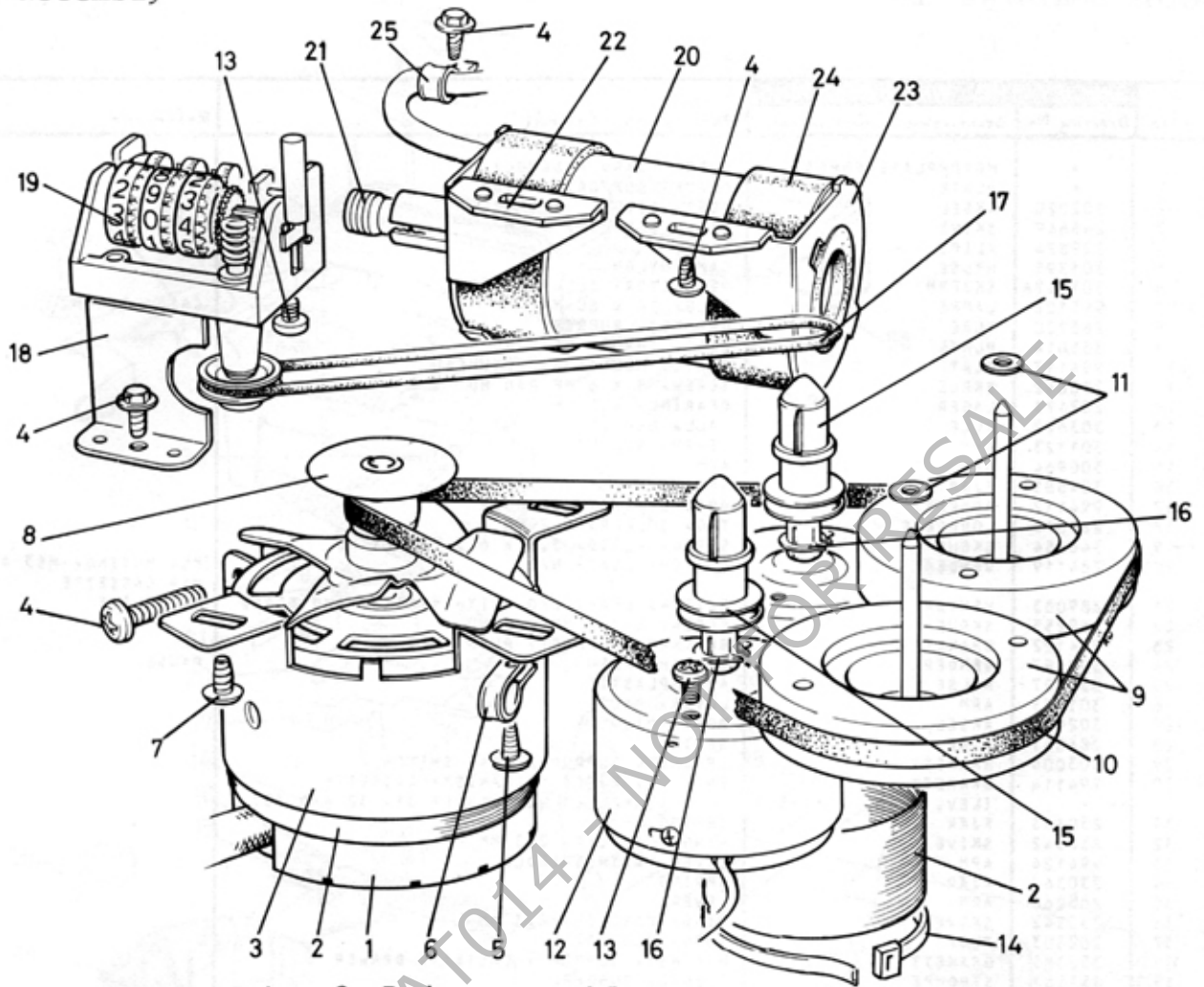


Fig. 3 Drive assembly

Index	SPECIFY THIS WHEN ORDERING		Description (notes)	Reference
	Ordering No.	Beskrivelse (merknader)		
	*	FREMDRIFTS-ENHET	DRIVE ASSEMBLY	
1	280405	MOTOR	MOTOR	
2	306775	SKJERM	SCREEN	
3	302645	KLAMMER	BRACKET, SUPPORT, MOTOR	
4	262984	SKRUE	SCREW, PLATE, 5/8" NO. 6 PAN HD, BLACK	
5	288141	SKRUE	SCREW, PLATE, 3/8" NO. 6 FLANGE HD	
6	215507	KLAMMER	CLAMP, CABLE, NYLON, 9 MM	
7	346854	SKRUE	SCREW, PLATE, 3,5 X 6,3 MM HEX HD	
8	994158	DRIVHJUL	PULLEY, DRIVE, 50 HZ	50 HZ
	994159	DRIVHJUL	PULLEY, DRIVE, 60 HZ	60 HZ
9	994111	SVINGHJUL (PARVIS TILPASSET, OG MED INDEX 10)	FLYWHEEL (SUPPLIED IN MATCHED PAIR AND WITH INDEX 10)	
10	994183	RING	BELT, DRIVE, RUBBER	
11	285369	SKIVE	WASHER, 6 X 2,7 X 0,5 MM, PLASTIC	
12	284823	MOTOR	MOTOR	
13	269255	SKRUE	SCREW, 3 X 4 MM PAN HD	
14	319506	BÅND	STRAP, PLASTIC	
15	994113	AKSEL (LEV. M/INDEX 16)	SPINDLE, TAPE REEL (SUPPLIED WITH INDEX 16)	
16	213826	RING	RING, RETAINING, EXTERNAL, 6 MM	
17	309600	RING	BELT, DRIVE, RUBBER	
18	286597	BRACKET	BRACKET, SUPPORT, COUNTER	
19	280132	TELLER	COUNTER	
20	994184	TREKKMAGNET	SOLENOID	
21	264212A	SKRUE	SCREW, NYLON	L1, L2, START SOLENOID
22	995101	KLAMMER	BRACKET	
23	302300	KLAMMER	BRACKET	
24	300942A	HYLSE	HOUSING, RUBBER	
25	202684	KLAMMER	CLAMP, CABLE, NYLON, 5 MM	

Motor board assembly

SPECIFY THIS WHEN ORDERING				
Index	Ordering No.	Beskrivelse (merknader)	Description (notes)	Reference
	*	MOTORPLATE-ENHET	MOTOR BOARD ASSEMBLY	
1	*	PLATE	PLATE, SUPPCRT, MOTOR	
2	302020	AKSEL	POST, PIVOT	
3	245649	SKIVE	RING, CIRCLIP, 4 MM	
4	229824	KLIPS	CLIP	
5	301395	HYLSE	CAM, NYLON	
6	301747A	SKJERM	REFLECTOR, ILLUMINATION	
7	995102	LAMPE	BULB, 14 V 8C MA	CASS. ILLUM.
8	285720	TUBE	GROMMET, RUBBER	
9	355014	PLATE	DISC, THRUST BEARING	
10	994117	PLATE	PLATE, MOUNTING, FLYWHEEL	
11	290842	SKRUE	SCREW, 3 X 6 MM PAN HD	
12	207173	LAGER	BEARING, 2.5 MM	
13	303622	KULE	BALL, BEARING	
14	301323	ARM	LEVER, SOLENOID	
15	300964	ARM	ARM	
16	304685	FJÆR	SPRING	
17	994112	BRAKETT	BRACKET, WITH SPINDLE	
18	223675	LODDEØRE	TAG, SOLDER, 4.2 MM	
19	346854	SKRUE	SCREW, PLATE, 3.5 X 6.3 MM HEX HD	
20	284119	VENDER	SWITCH, LEAF, N/O	MS2 MUTING, MS3 REC., MS4 CASSETTE
21	289083	VENDER	SWITCH, LEAF, C/O, WITH BRACKET AND SCREW	MS1 SLIDE
22	269255	SKRUE	SCREW, 3 X 4 MM PAN HD	
23	994122	BRAKETT	BRACKET, SUPPORT, PUSH SWITCH	
24	300497	VENDER	SWITCH, PUSH	PAUSE
25	350827	HYLSE	ARM, PLASTIC	
26	301675	ARM	LEVER, PAUSE	
27	302997	AKSEL	POST, PIVOT	
28	286051	FJÆR	SPRING	
29	303004	BRAKETT	BRACKET, SUPPORT, LEAF SWITCH	
30	994114	BRAKETT (LEV. M/INDEX 31-33)	BRACKET, EJECT MECHANISM, CASSETTE (SUPPLIED WITH INDEX 31, 32 AND 33)	
31	230363	FJÆR	SPRING	
32	230542	SKIVE	RING, CIRCLIP, 2.3 MM	
33	994124	ARM	LEVER, WITH SPINDLE	
34	230363	FJÆR	SPRING	
35	285268	ARM	LEVER	
36	230542	SKIVE	RING, CIRCLIP, 2.3 MM	
37	202303	TUBE	TUBE, RUBBER	
38	352385	BRAKETT	BRACKET, SUPPORT, CASSETTE DRAWER	
39	351581	STRØMPE	SLEEVE, RUBBER	
40	301668	AKSEL	SPINDLE	
41	237970	SKIVE	RING, CIRCLIP, 1.5 MM	
42	300490	BRAKETT	BRACKET, CASSETTE DRAWER	
43	289413	FJÆR	SPRING	
44	304678	TAPP	POST, PIVOT	
45	287380A	ARM	ARM	
46	237360	FJÆR	SPRING	
47	293824	FJÆR	SPRING	
48	304103	ARM	ARM	
49	301316	AKSEL	POST, PIVOT	
50	994120	STYRING (LEV. M/INDEX 52,53)	GUIDE, CASSETTE, LEFT (SUPPLIED WITH INDEX 52 AND 53)	
51	292875	SKRUE	SCREW, PLATE, 3/8" NO. 4 FLANGE HD	
52	291791	FJÆR	SPRING, CASSETTE DRAWER, LEFT	
53	299606	SKRUE	SCREW, PLATE, 3/16" NO. 2 PAN HD	
54	252158	LIST	STRIP, FOAM RUBBER, 6 X 7 MM	
55	994121	STYRING (LEV. M/INDEX 53,56)	GUIDE, CASSETTE, RIGHT (SUPPLIED WITH INDEX 53 AND 56)	
56	29C110	FJÆR	SPRING, CASSETTE DRAWER, RIGHT	

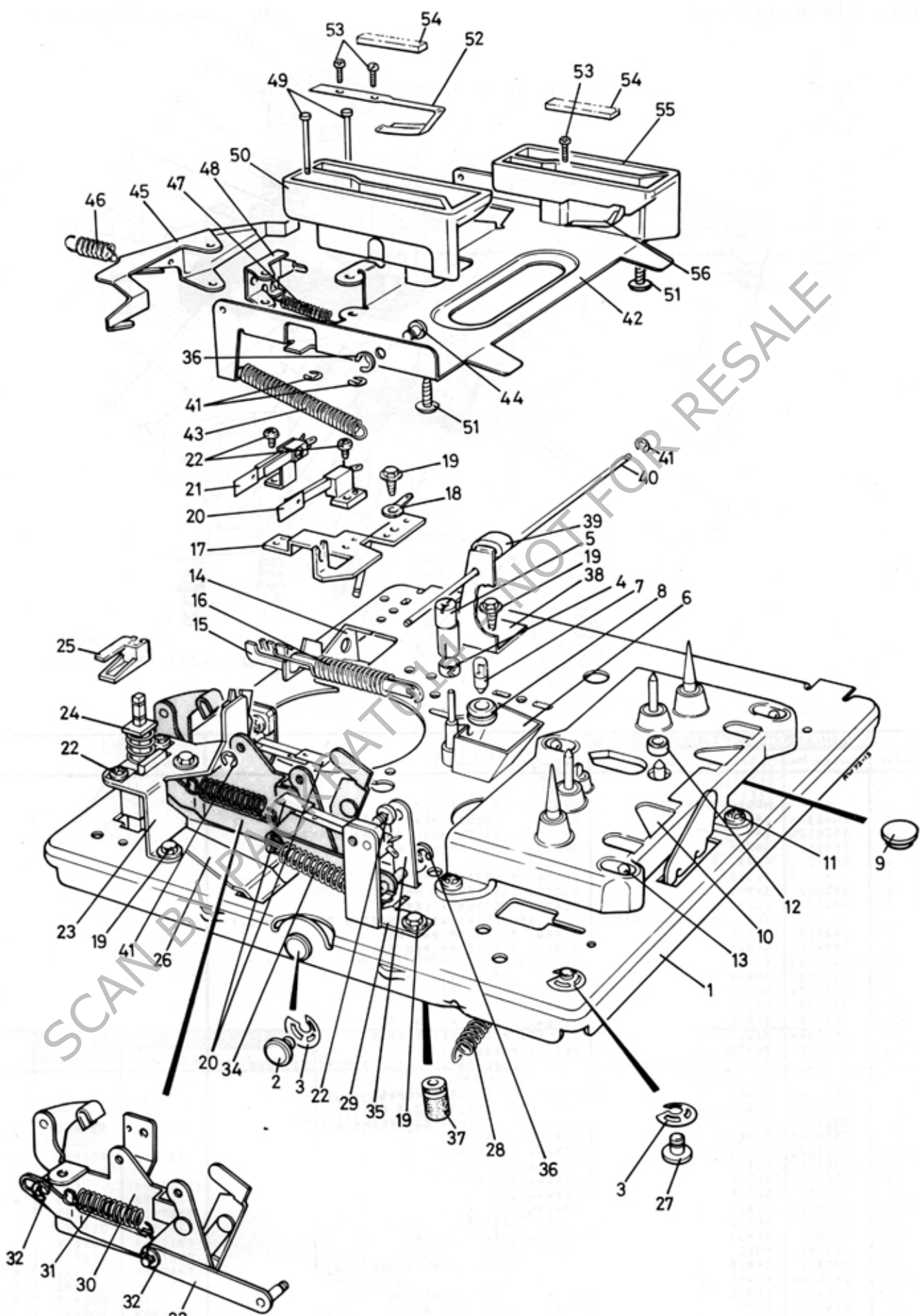


Fig. 4 Motor board assembly

Head plate assembly

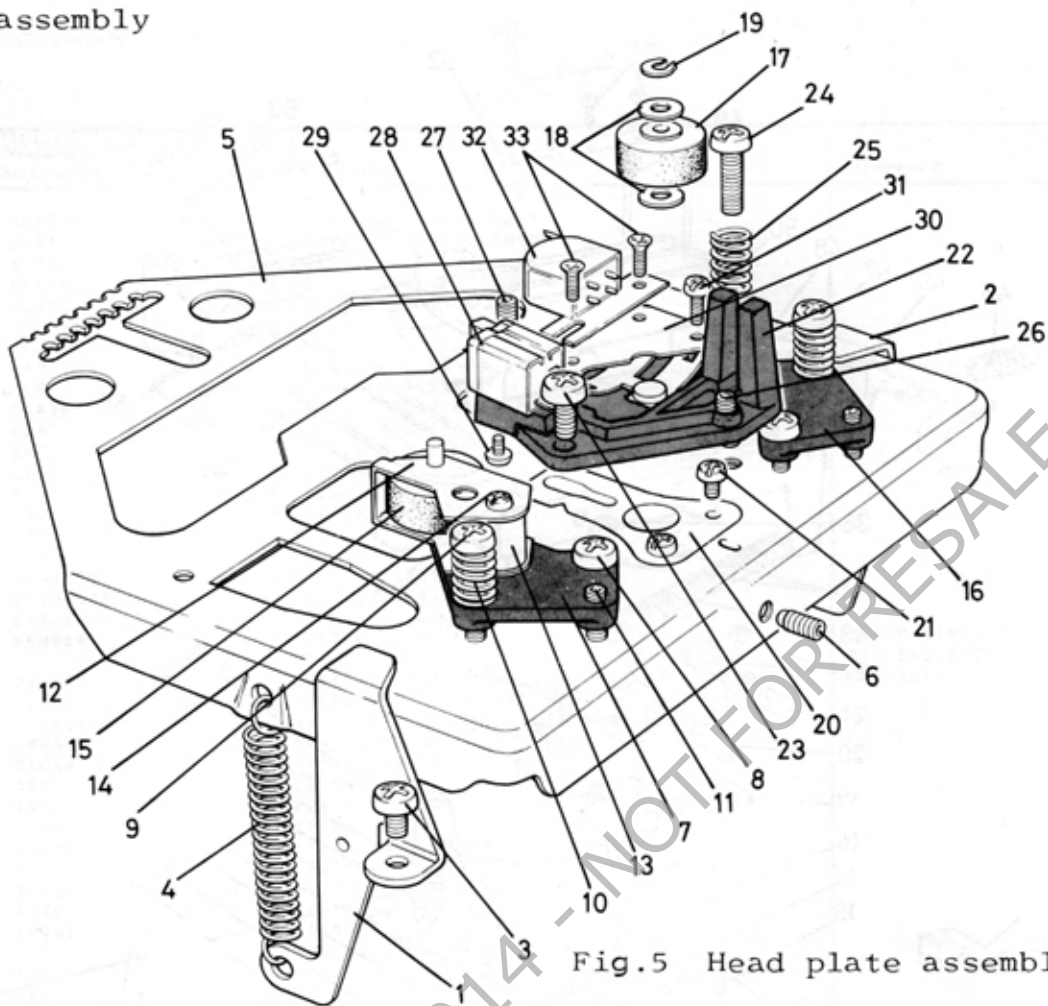


Fig.5 Head plate assembly

SPECIFY THIS WHEN ORDERING		Description (notes)	Reference
Index	Ordering No. Beskrivelse (merknaer)		
	*	HODEBRO-ENHET	HEAD PLATE ASSEMBLY
1	304333A	ARM	BRACKET, GUIDE, HEAD PLATE, LEFT
2	302652B	ARM	BRACKET, GUIDE, HEAD PLATE, RIGHT
3	269255	SKRUE	SCREW, 3 X 4 MM PAN HD
4	287732	FJÆR	SPRING
5	*	PLATE	PLATE, MOUNTING, HEAD
6	890002	SKRUE	SCREW, SET, 3 X 7 MM
7	994191	PLATE	PLATE, PRESSURE, LEFT (SUPPLIED WITH INDEX 8 TO 15 INCL.)
8	292523	SKRUE	SCREW, 3 X 8 MM PAN HD
9	293852	SKRUE	SCREW, 3 X 15 MM PAN HD
10	240406A	FJÆR	SPRING
11	890003	SKRUE	SCREW, SET, 3 X 8 MM
12	303270A	BOYLE	BRACKET, U-SHAPED
13	300339	BOSS	SPACER
14	292839	SKRUE	SCREW, 2 X 12 MM PAN HD
15	860004A	HJUL	ROLLER, PRESSURE, RUBBER
16	994192	PLATE	PLATE, PRESSURE, RIGHT (SUPPLIED WITH INDEX 8 TO 11, AND 17 TO 19 INCL.)
17	860004A	HJUL	ROLLER, PRESSURE, RUBBER
18	244377	SKIVE	WASHER, 6 X 2,5 X 0,3 MM
19	212145	RING	RING, RETAINING, EXTERNAL, 2,5 MM
20	285699A	FJÆR	SPRING, FLAT
21	294520	SKRUE	SCREW, 2,3 X 3 MM PAN HD
22	994104	PLATE	PLATE, MOUNTING, HEAD
23	290842	SKRUE	SCREW, 3 X 6 MM PAN HD
24	292171	SKRUE	SCREW, 3 X 12 MM PAN HD
25	240406A	FJÆR	SPRING
26	890003	SKRUE	SCREW, SET, 3 X 8 MM
27	890000	SKRUE	SCREW, SET, 3 X 5 MM
28	282086	HODE	HEAD, ERASE
29	290806	SKRUE	SCREW, 1,7 X 3 MM PAN HD
30	287926A	PLATE	PLATE
31	292487	SKRUE	SCREW, 2 X 5 MM PAN HD
32	994180	HODE	HEAD, RECORD AND PLAY
33	294168	SKRUE	SCREW, 2 X 6 MM CSK HD

Switches and connectors

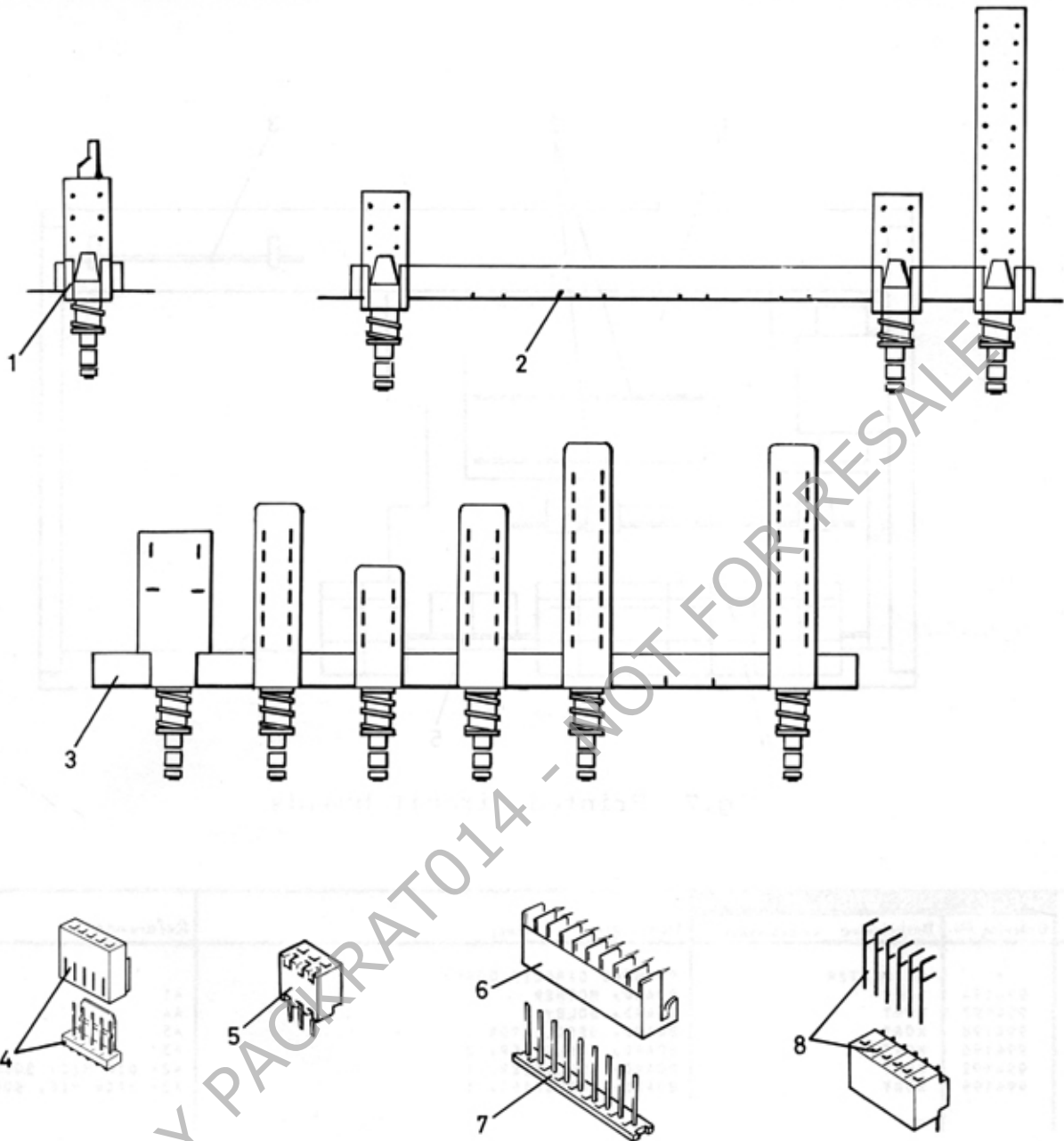


Fig.6 Switches and connectors

Index	SPECIFY THIS WHEN ORDERING		Description (notes)	Reference
	Ordering No.	Beskrivelse (merknader)		
1	30C497	VENDERE	SWITCHES	PAUSE MPX FILTER, DOLBY NR., TAPE POWER, REWIND, STOP, WIND, PLAY, RECORD
2	284902	VENDER	SWITCH, PUSH	
3	308156	VENDER	SWITCH, PUSH	
4	995818	KONTAKTER	CONNECTORS	
	995819	KONTAKT	CONNECTOR, 2 POLE, SMALL	
	995820	KONTAKT	CONNECTOR, 3 POLE, SMALL	
	995821	KONTAKT	CONNECTOR, 4 POLE, SMALL	
	995822	KONTAKT	CONNECTOR, 5 POLE, SMALL	
5	318320	KONTAKT	CONNECTOR, FIXED, 3 POLE	
6	347551	KONTAKT	CONNECTOR, FIXED, 9 POLE	
7	346222	PLINT	CONNECTOR, FIXED, 9 POLE	
8	996302	KONTAKT	CONNECTOR, 3 POLE, BLACK	
	996303	KONTAKT	CONNECTOR, 6 POLE, BLACK	

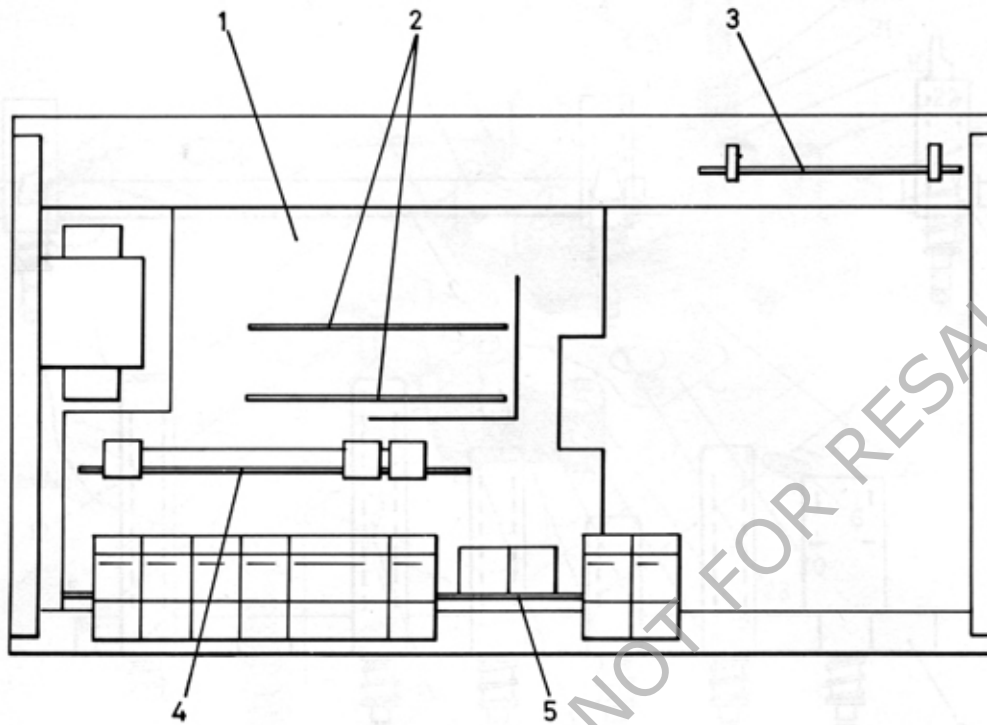


Fig.7 Printed circuit boards

SPECIFY THIS WHEN ORDERING				
Index	Ordering No.	Beskrivelse (merknader)	Description (notes)	Reference
	*	TK PLATER	PRINTED CIRCUIT BOARDS	
1	994194	KORT	BOARD, MOTHER	A1
2	994197	KORT	BOARD, DOLBY	A4
3	994198	KORT	BOARD, OSCILLATOR	A5
4	994196	KORT	BOARD, AMPLIFIER, 2	A3
5	994195	KORT	BOARD, AMPLIFIER, 1	A2, DIN MIC. SOCKET
	994199	KORT	BOARD, AMPLIFIER, 1	A2, JACK MIC. SOCKET

SCAN BY PACKRAT014 - NOT FOR RESALE

SCAN BY PACKRAT014 - NOT FOR RESALE

TANDBERGS RADIOFABRIKK A/S
N – 1301 Sandvika – Norway