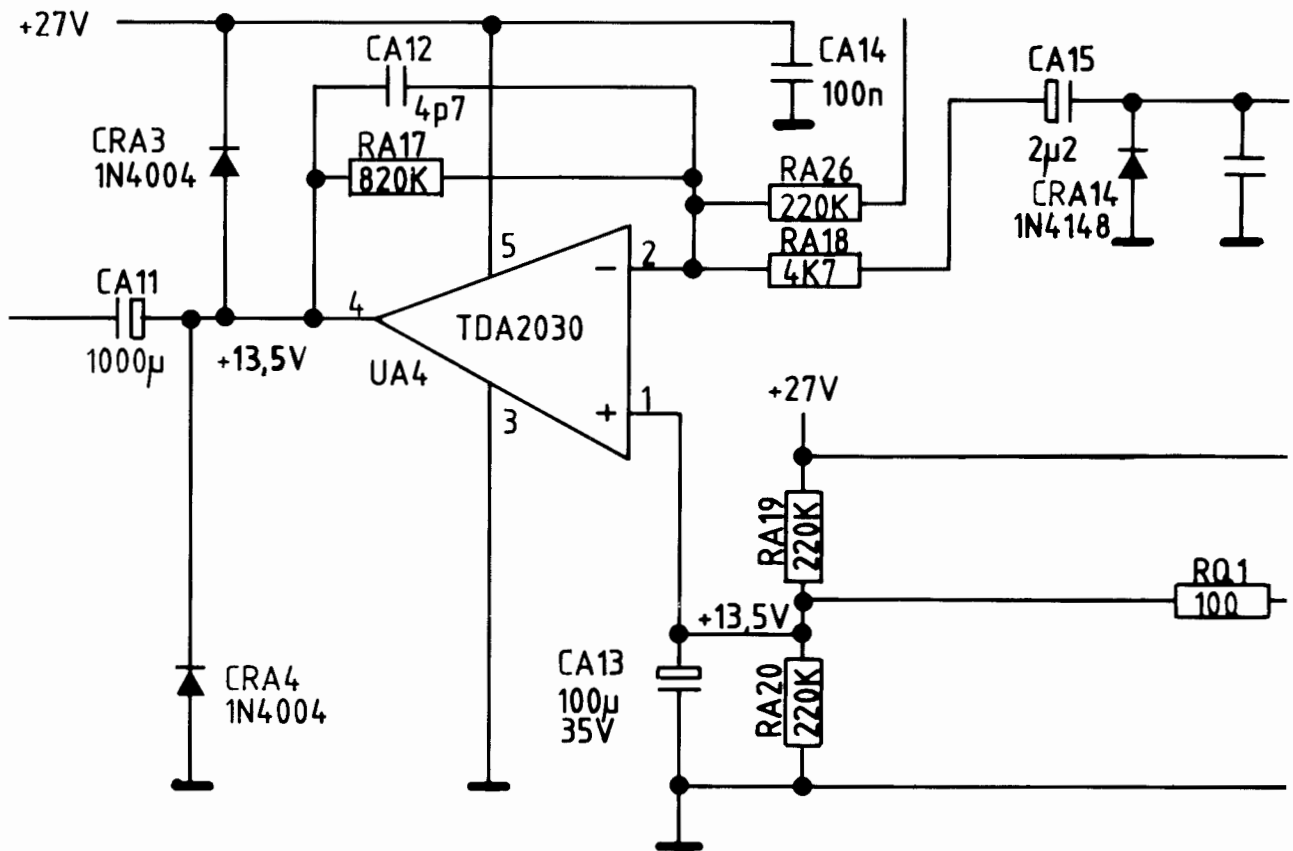




TCR 522/TCCR 530/TCR 555/TAL 812

Circuit Diagrams



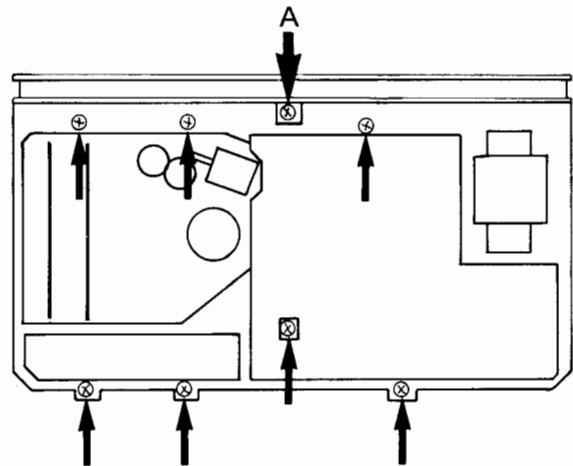
Contents

	Page
Removing the cabinet	3
Dismantling the worm-gear	3
Adjusting the potentiometer	4
TCR 522 Free Head, input board	5
TCR 522 logic diagram, to serial No. 818 05993	6
TCR 522 audio diagram, to serial No. 818 05993	7
TCR 522 logic diagram, from serial No. 818 05994	8
TCR 522 audio diagram, from serial No. 818 05994	9
TCCR 530 logic diagram	10
TCCR 530/TAL 812 serial interface diagram	11
TCCR 530 audio diagram	13
TCR 555 logic diagram	14
TCR 555 audio diagram	15
TAL 812 logic diagram	16
TCCR 530/TAL 812 serial interface diagram	17
TAL 812 audio diagram	19
TCCR 530/TAL 812 serial interface board	20
TCR 522/TCCR 530/TCR 555 input board	20
TCR 522/TCCR 530 audio board	20
TCR 555 audio board	20
TCR 555 switch board	20
TAL 812 input board	20
TCR 522/TCCR 530/TAL 812 control board	21
TCR 555 indicator board	21
TAL 812 amplifier board	21
TCR 522/TCCR 530/TCR 555/TAL 812 capstan amplifier board	21
TCR 522/TCCR 530/TCR 555/TAL 812 servo amplifier board	21
TCR 522/TCCR 530/TAL 812 display board	21
TCR 522/TCCR 530/TCR 555 main board	22
TAL 812 main board	22

Removing the cabinet

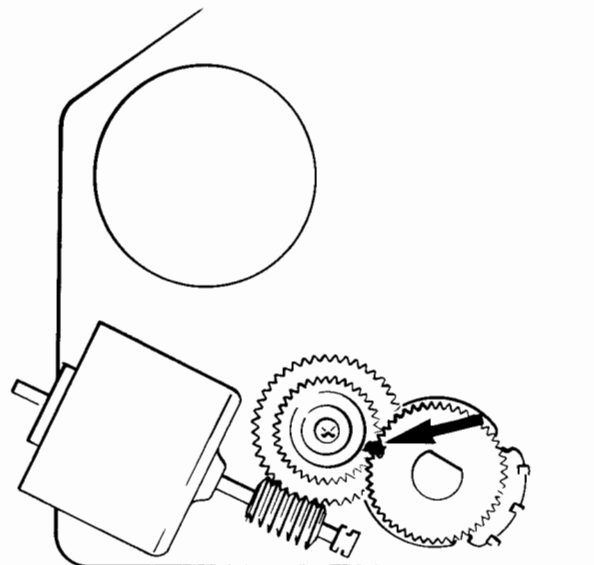
WARNING! Do not lay the units straight down on the workbench so that the front panel is scratched. Use a plastic foam pad or something similar to protect the front panel.

- To remove the base plate, remove the 7 screws.
- To remove the back panel, remove screws A as shown in the figure.
- To remove the front panel, remove the 7 screws as shown in the figure.



Dismantling the worm-gear

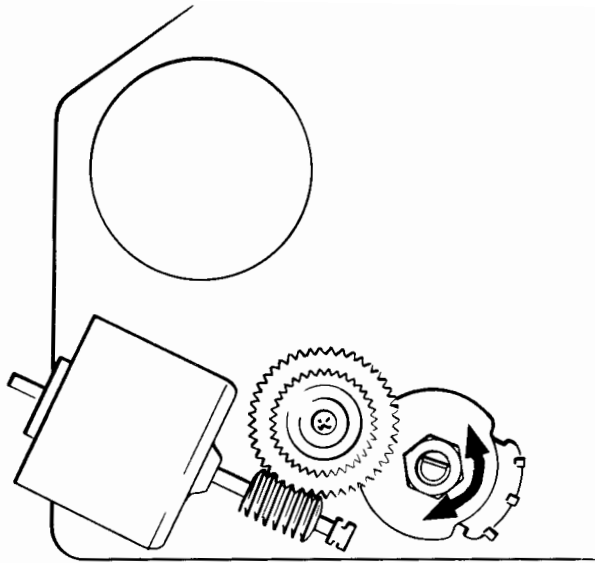
- Before the gear wheel on the potentiometer is removed, **mark the position of the gear wheels on the inside** with e.g. a felt-tip pen as shown in the figure.
- Pull the gear wheel off the potentiometer.
- Remove the screw in the gear wheel for the position-washer and pull the gear wheel out, see figure. The position-washer is now loose.
- When the gear wheel and cam are assembled, take note that these two only fit together in one position. Do not tighten the screw too much, since it can cause the gear wheel to run sluggish.
- Replace the gear wheel for the potentiometer so that the felt-tip pen mark comes into the right position.
- Insert a cassette into the recorder and check that the tape transport works.



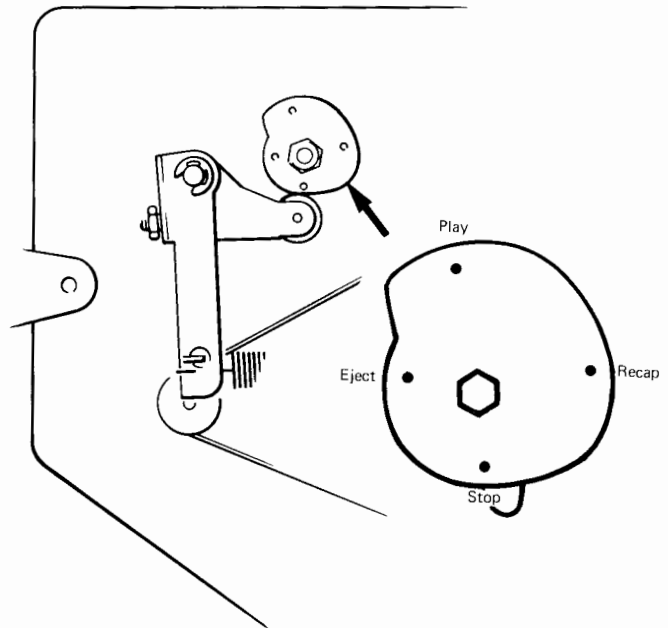
Adjusting the potentiometer

If the gear wheels have not been marked with a felt-tip pen, adjust the cam as follows:

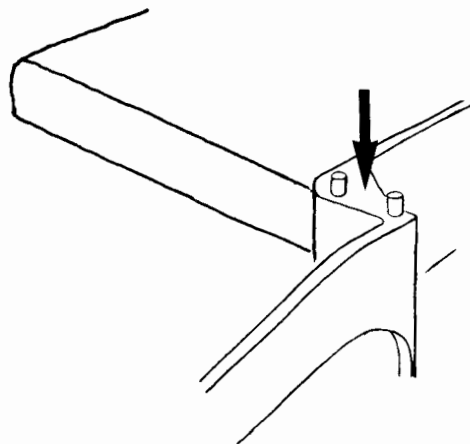
- Assemble the cam and gear wheel together. Do not tighten the screw too much.
- Connect the mains plug for the recorder.
- Turn the potentiometer spindle until the worm-gear motor stops, see figure. When the stop-point is reached the potentiometer must not be touched again.
- Switch off the recorder.

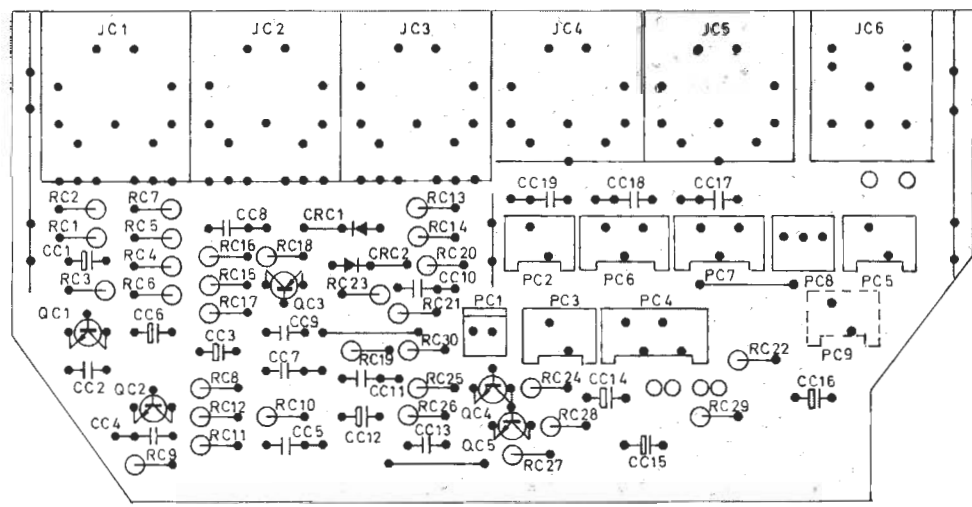
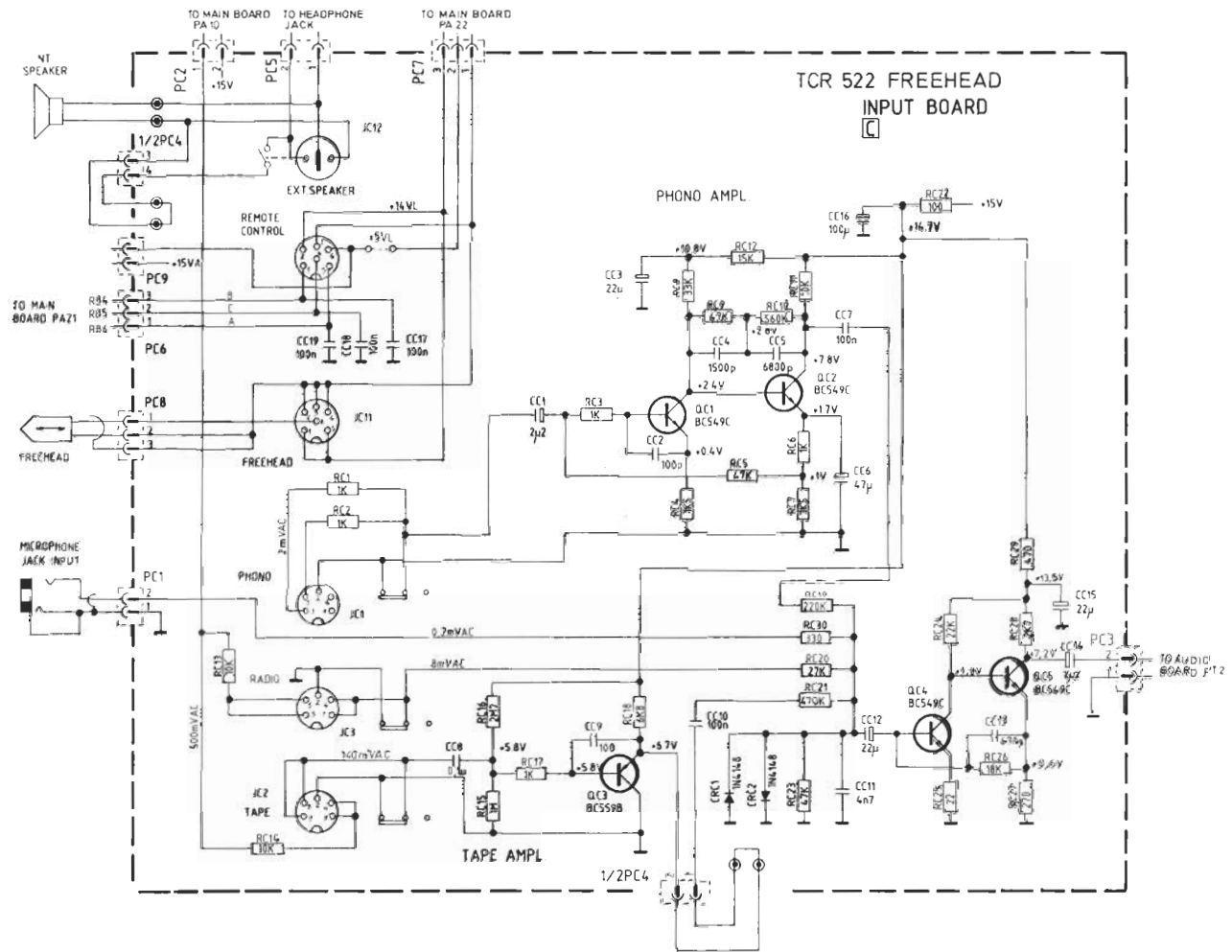


- Turn the worm-gear motor until the cam comes to the Stop position, see figure.
- Take care not to turn the potentiometer spindle when the gear wheel is put back.
- Insert a cassette and check that the tape transport works.

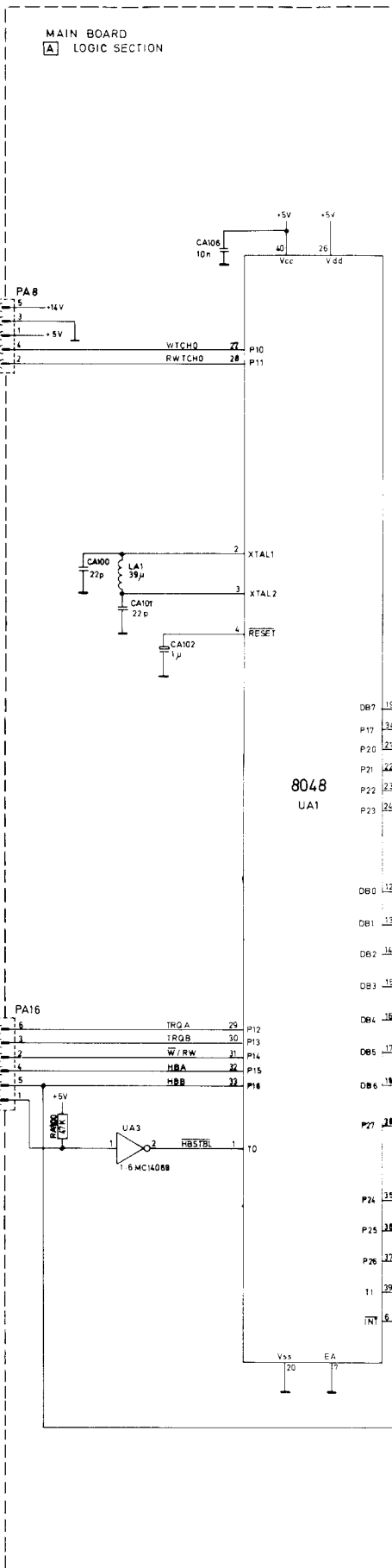
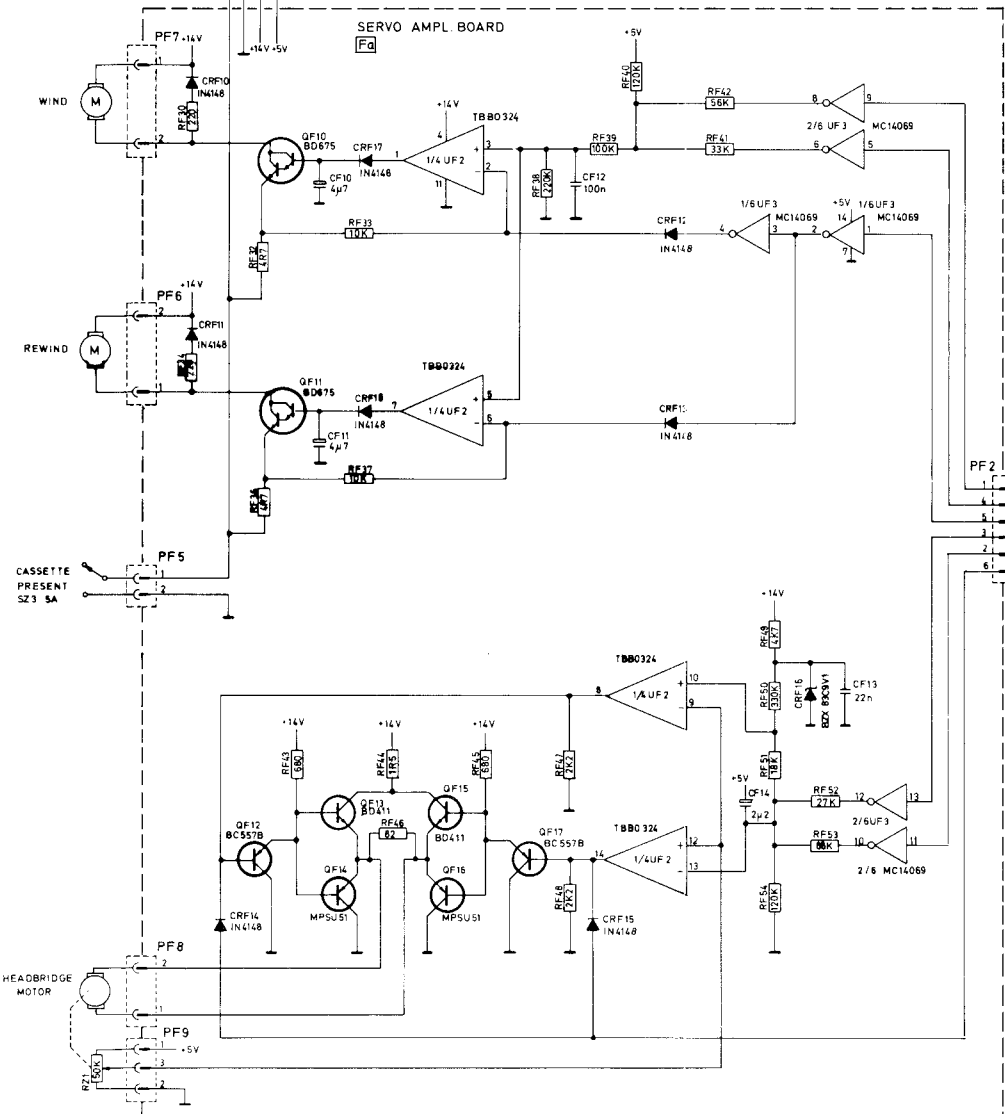
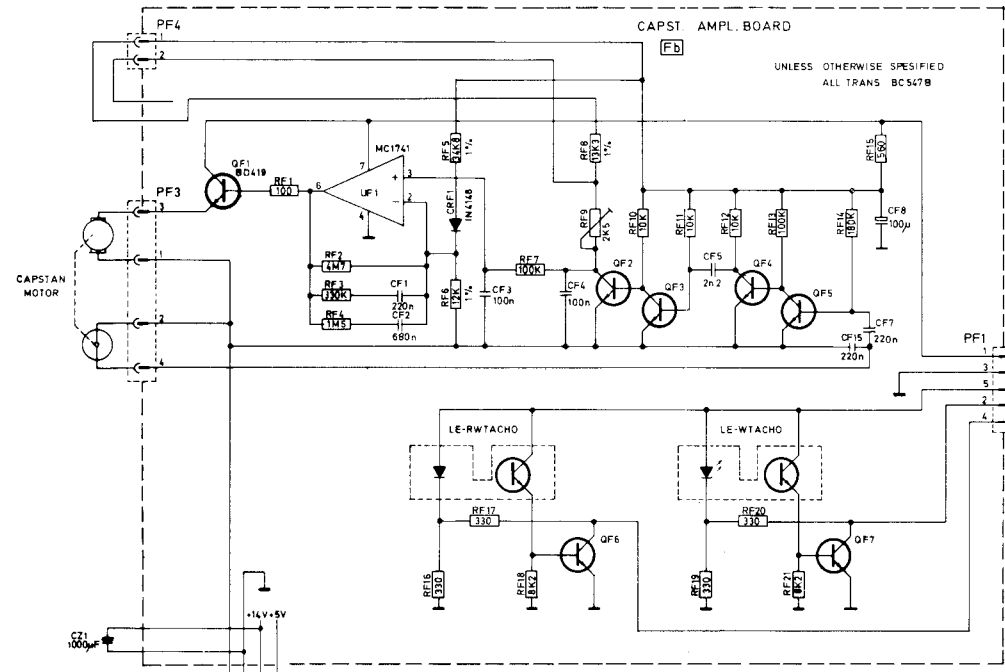


When the front panel is assembled, take care that the spring for the cassette compartment comes into the correct position, see figure.



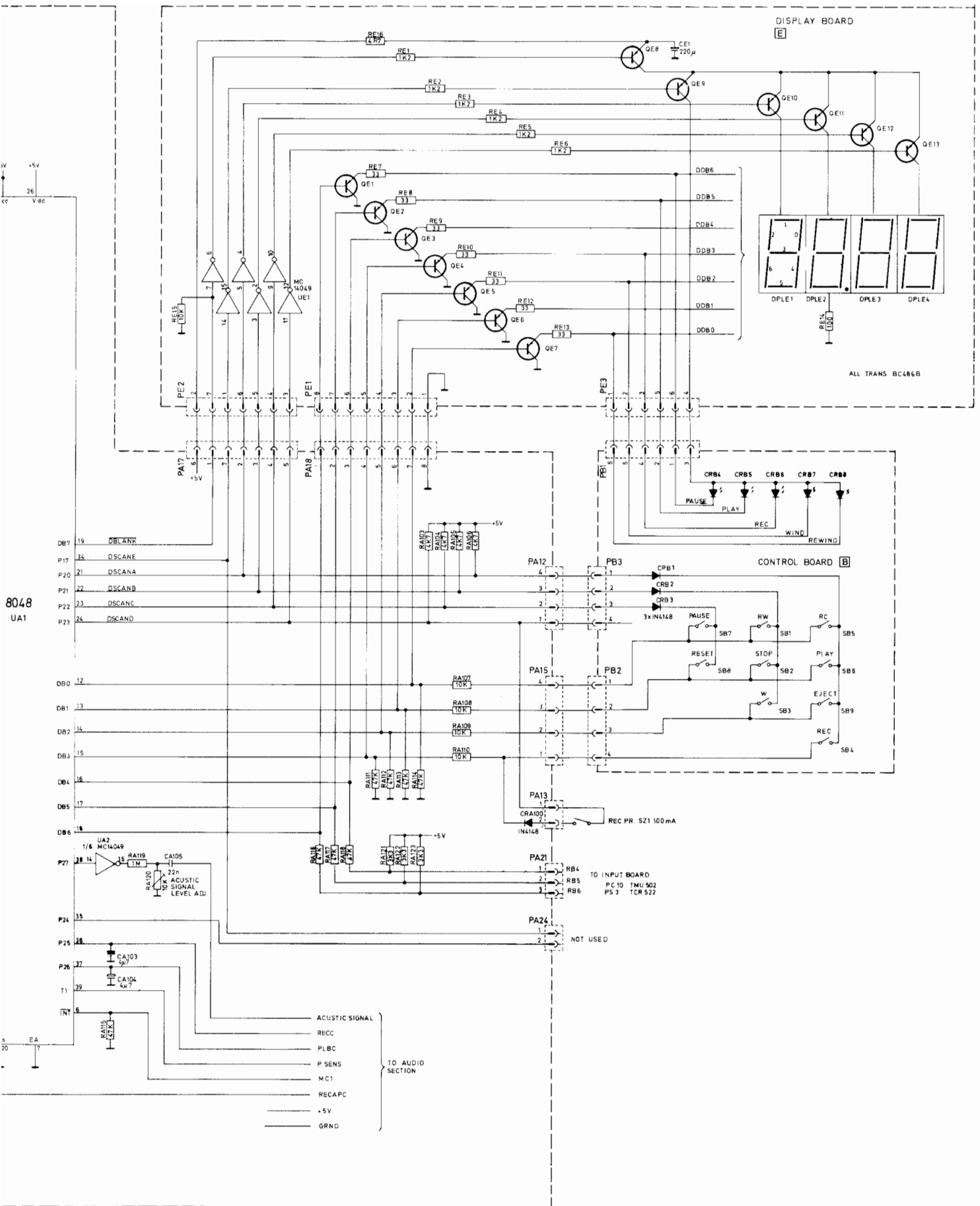


INPUT BOARD, FREE HEAD

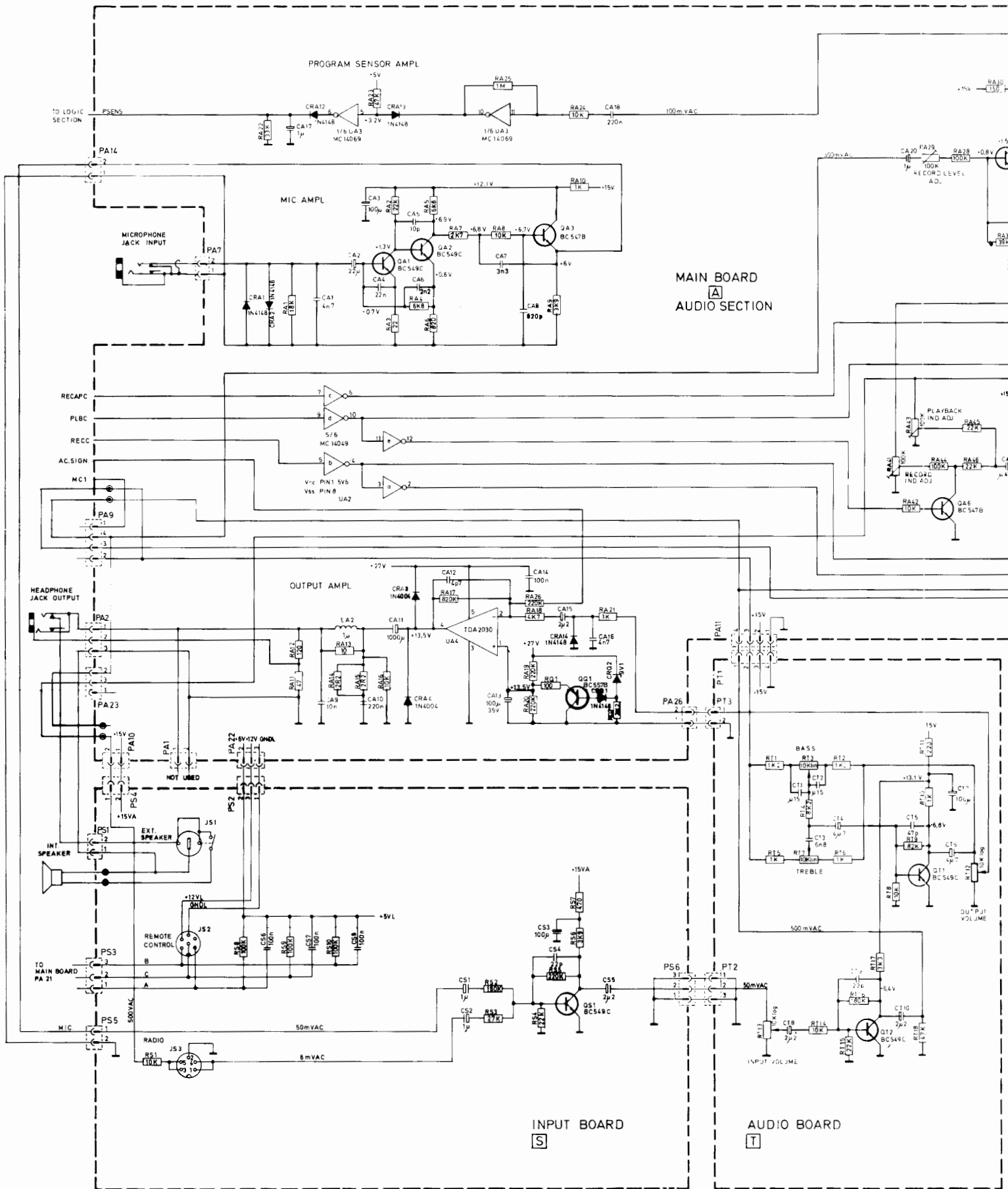


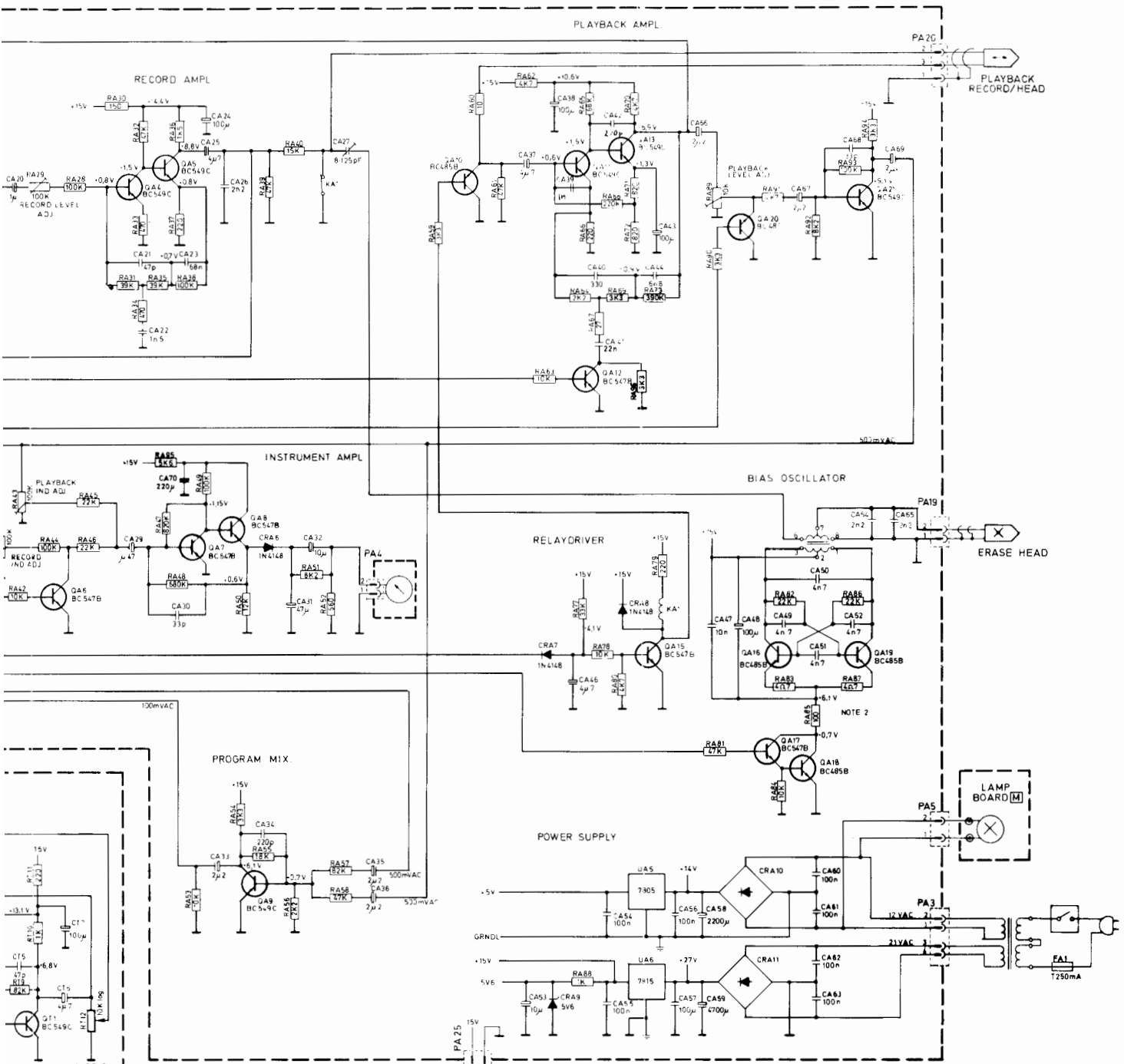
8048
UA1

- DB7 18
- P17 34
- P20 21
- P21 22
- P22 23
- P23 24
- DB0 12
- DB1 13
- DB2 14
- DB3 15
- DB4 16
- DB5 17
- DB6 19
- 1/ 1
- P27 28
- P24 35
- P25 36
- P26 37
- P28 39
- INT 6



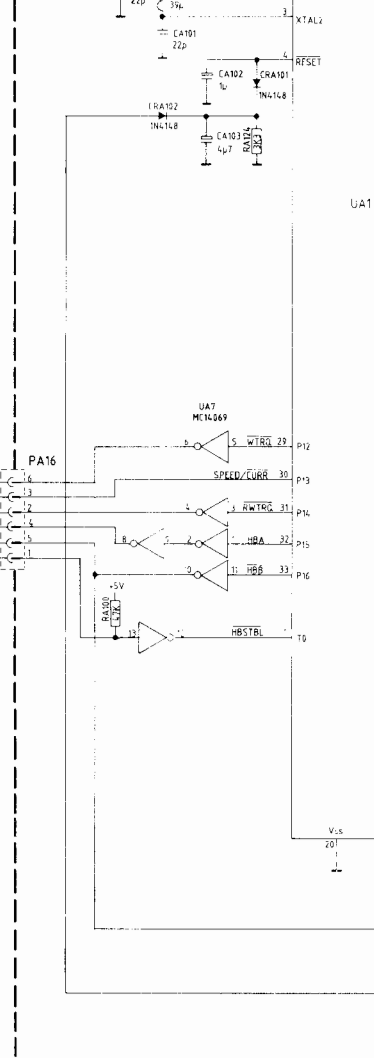
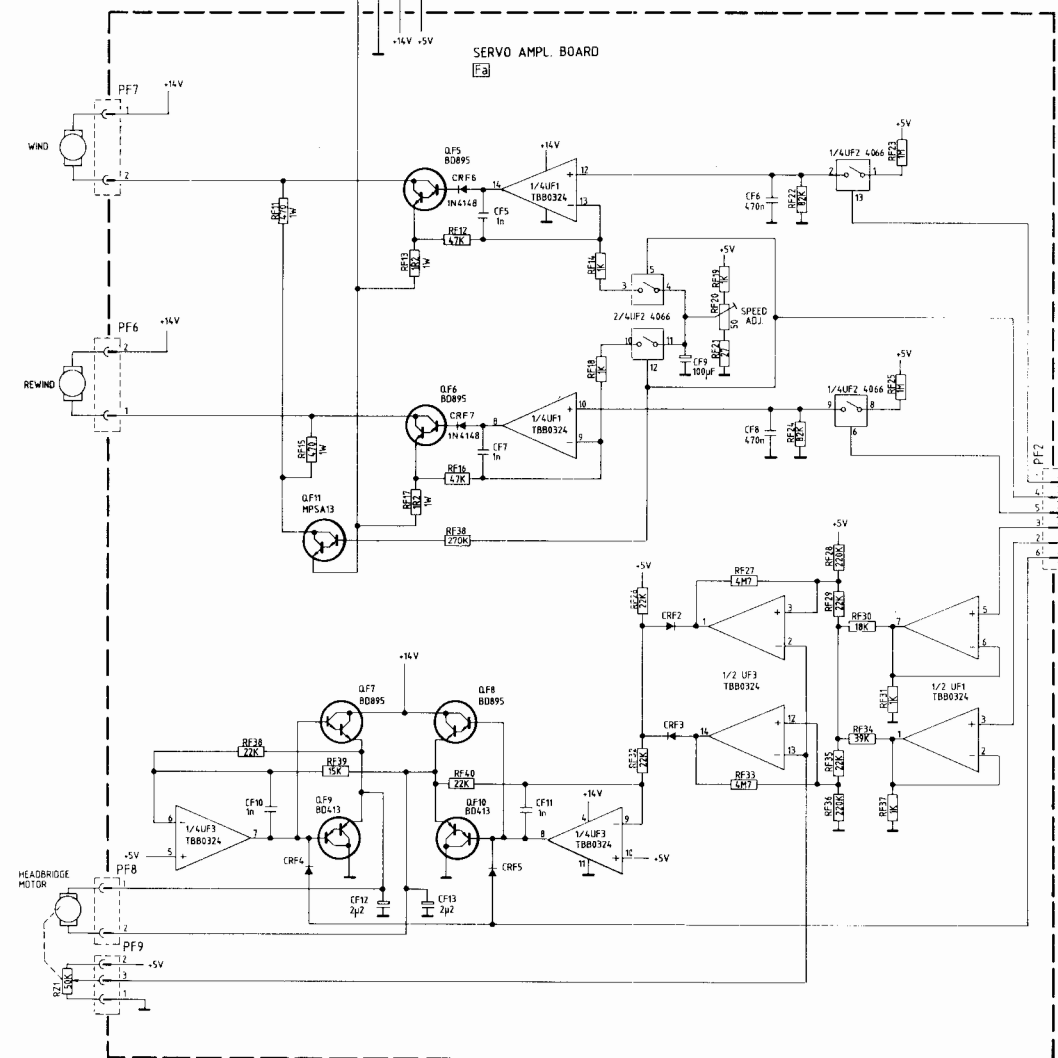
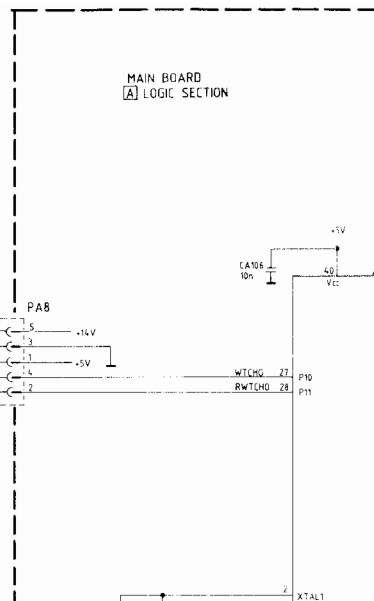
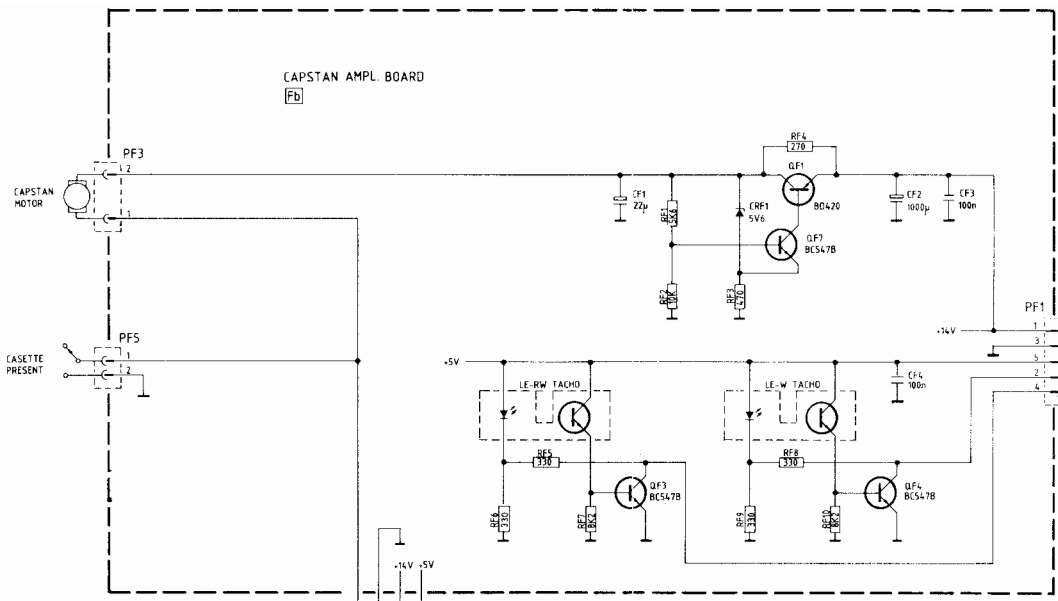
TCR 522 LOGIC DIAGRAM
To serial No. 818 05993



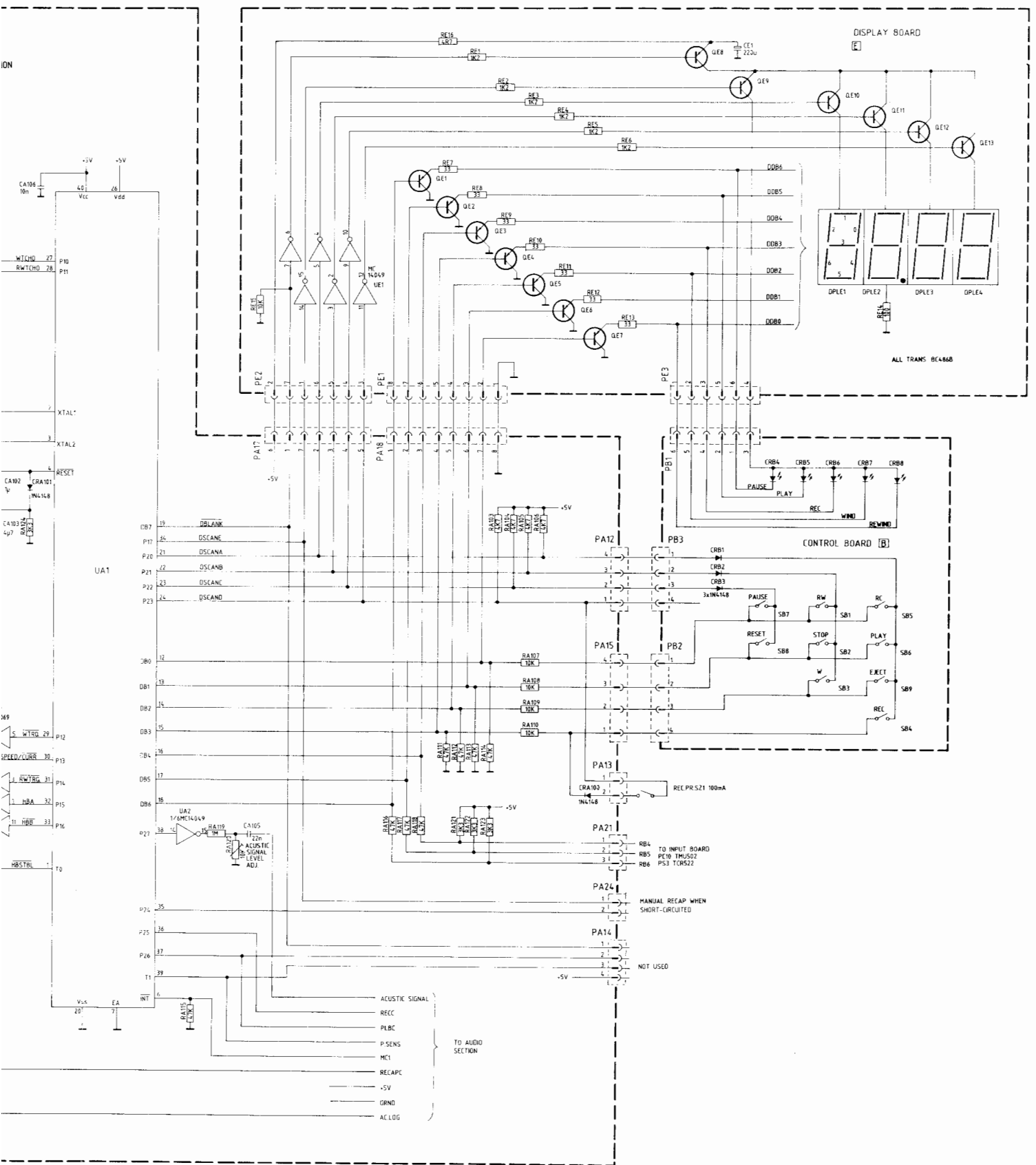


NOTE: DC LEVEL MEASURED IN RECORD POSITION
 UNLESS OTHERWISE SPECIFIED ALL DC LEVELS
 ARE MEASURED IN STOP POSITION

TCR 522 AUDIO DIAGRAM
 To serial No. 818 05993

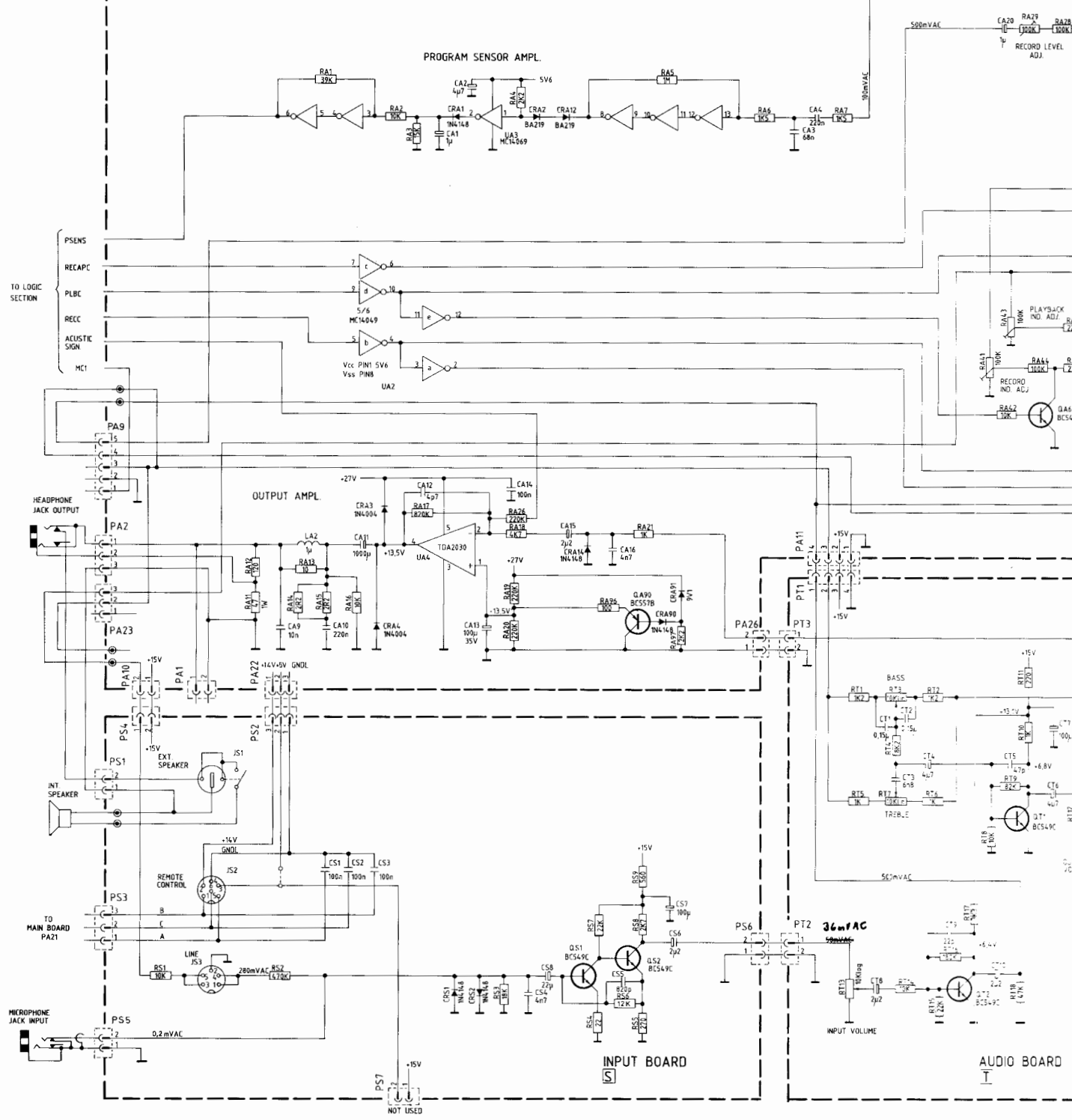


UA1

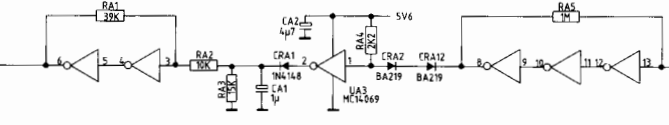


TCR 522 LOGIC DIAGRAM
From serial No. 818 05994

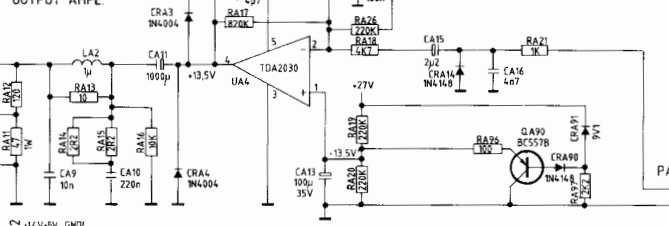
MAIN BOARD
A
AUDIO SECTION



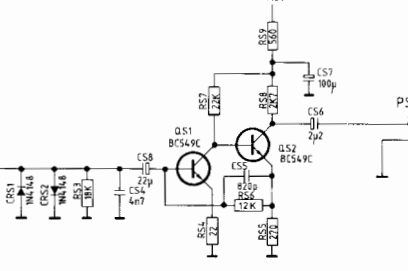
PROGRAM SENSOR AMPL.



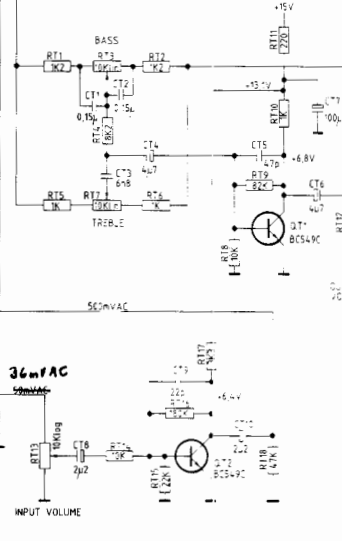
OUTPUT AMPL.

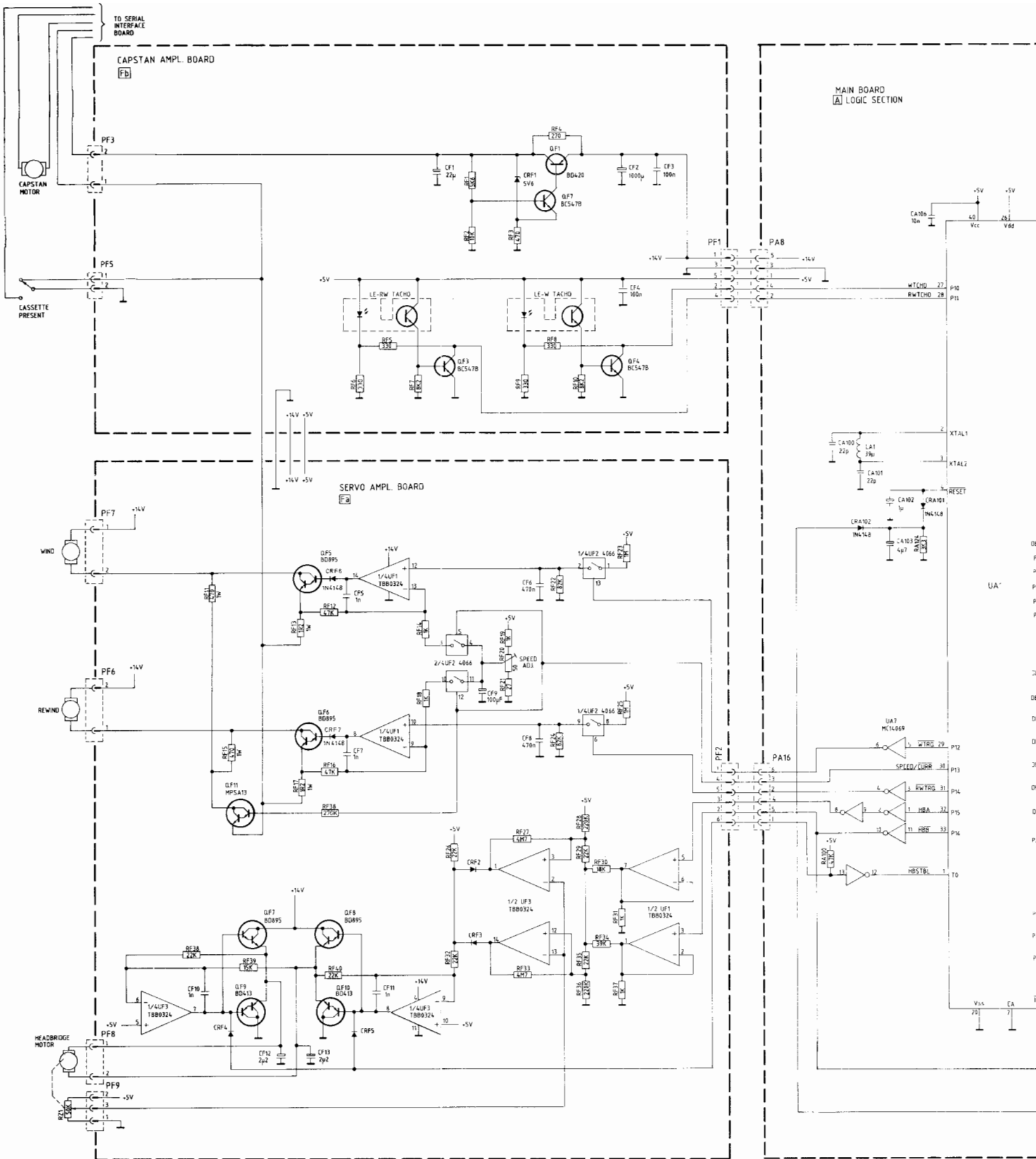


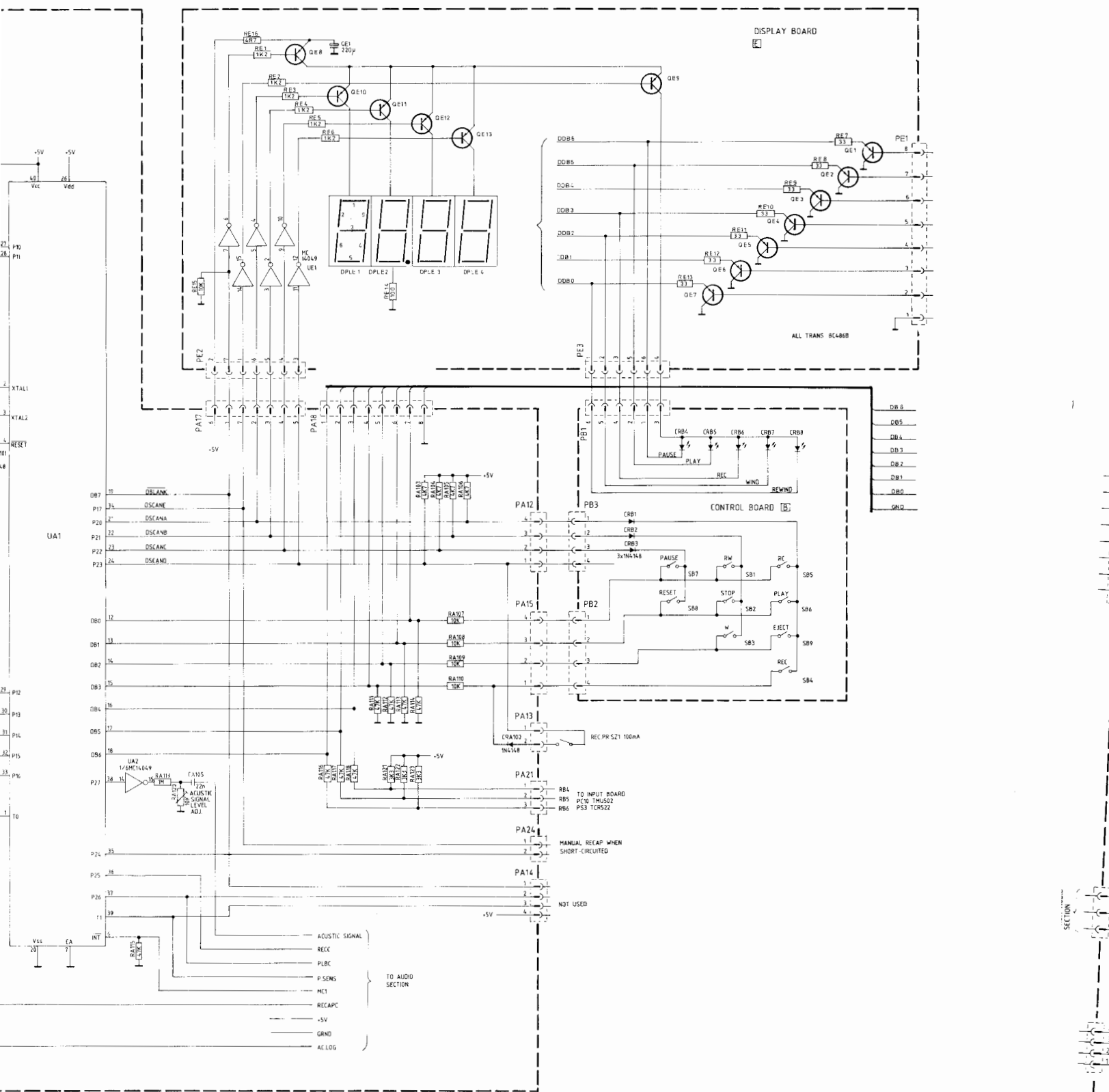
INPUT BOARD



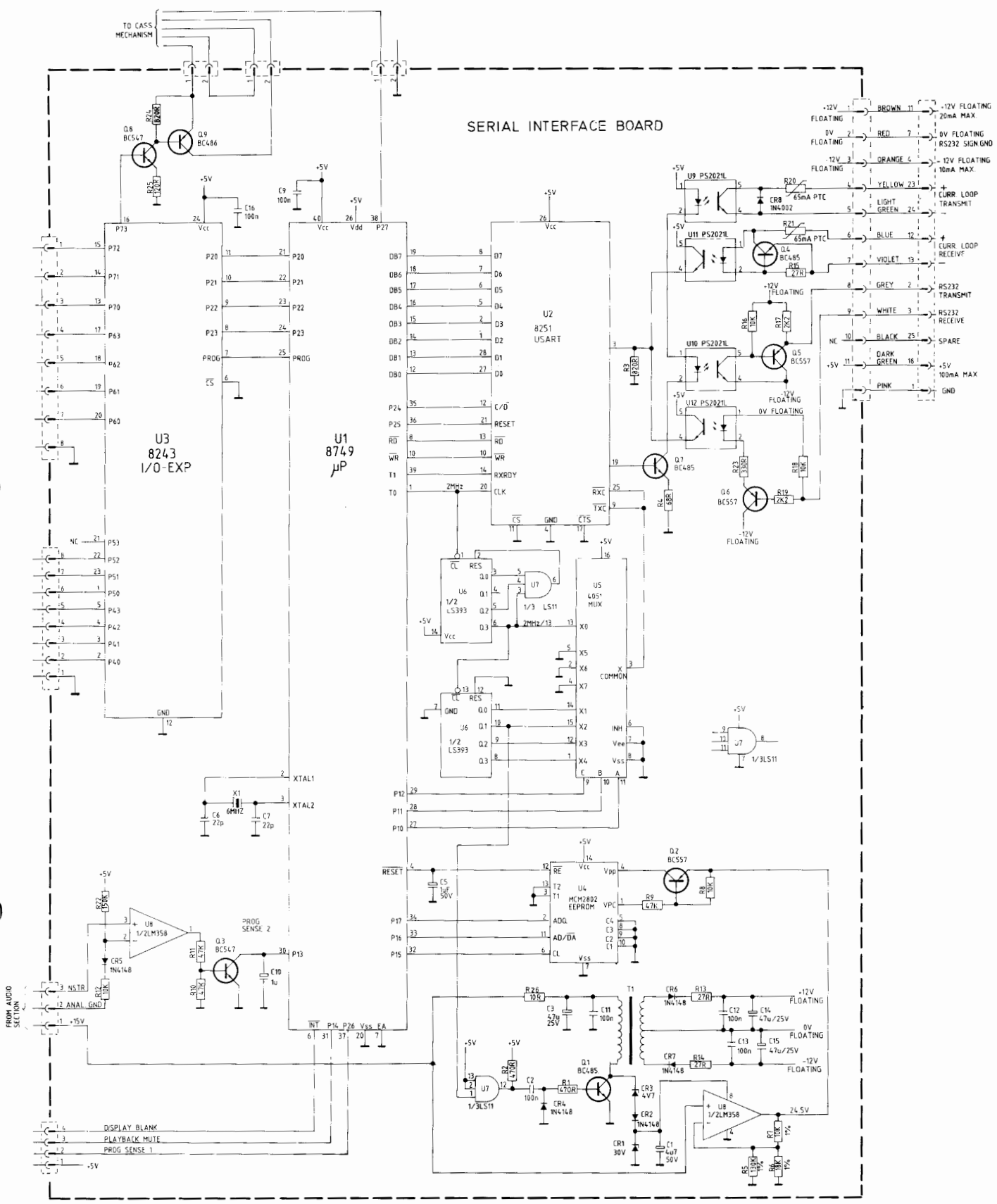
AUDIO BOARD





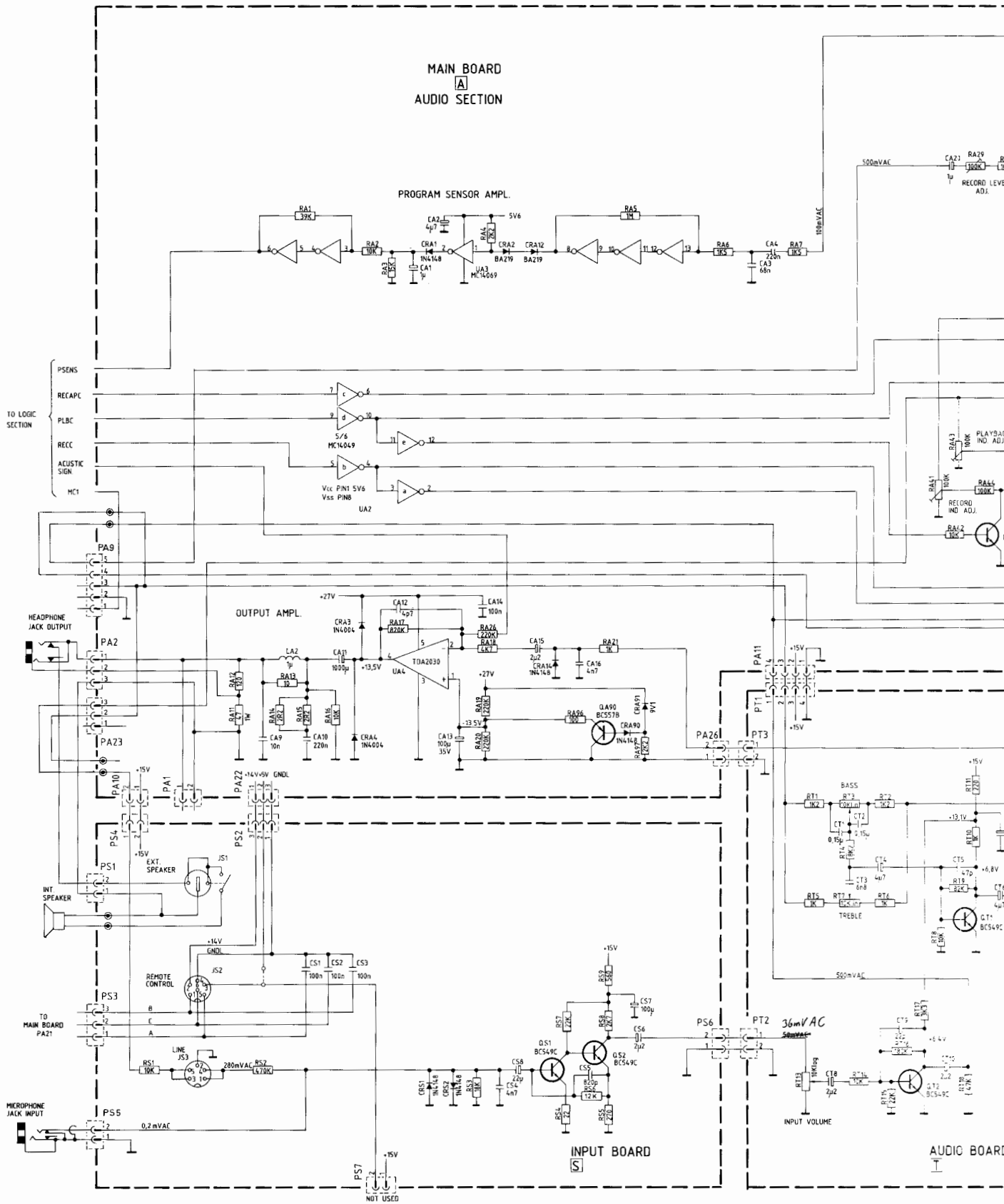


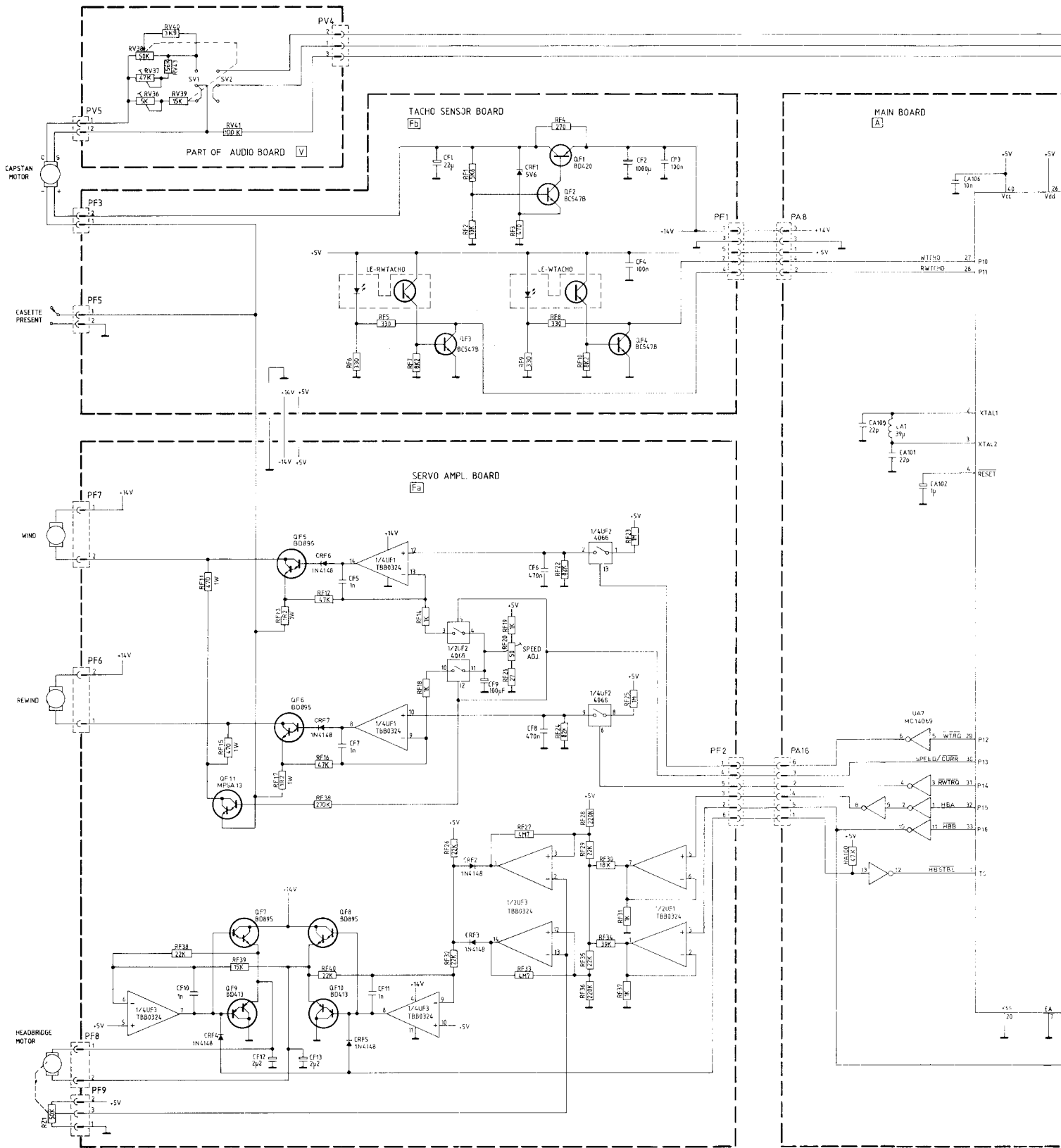
TCCR 530 LOGIC DIAGRAM

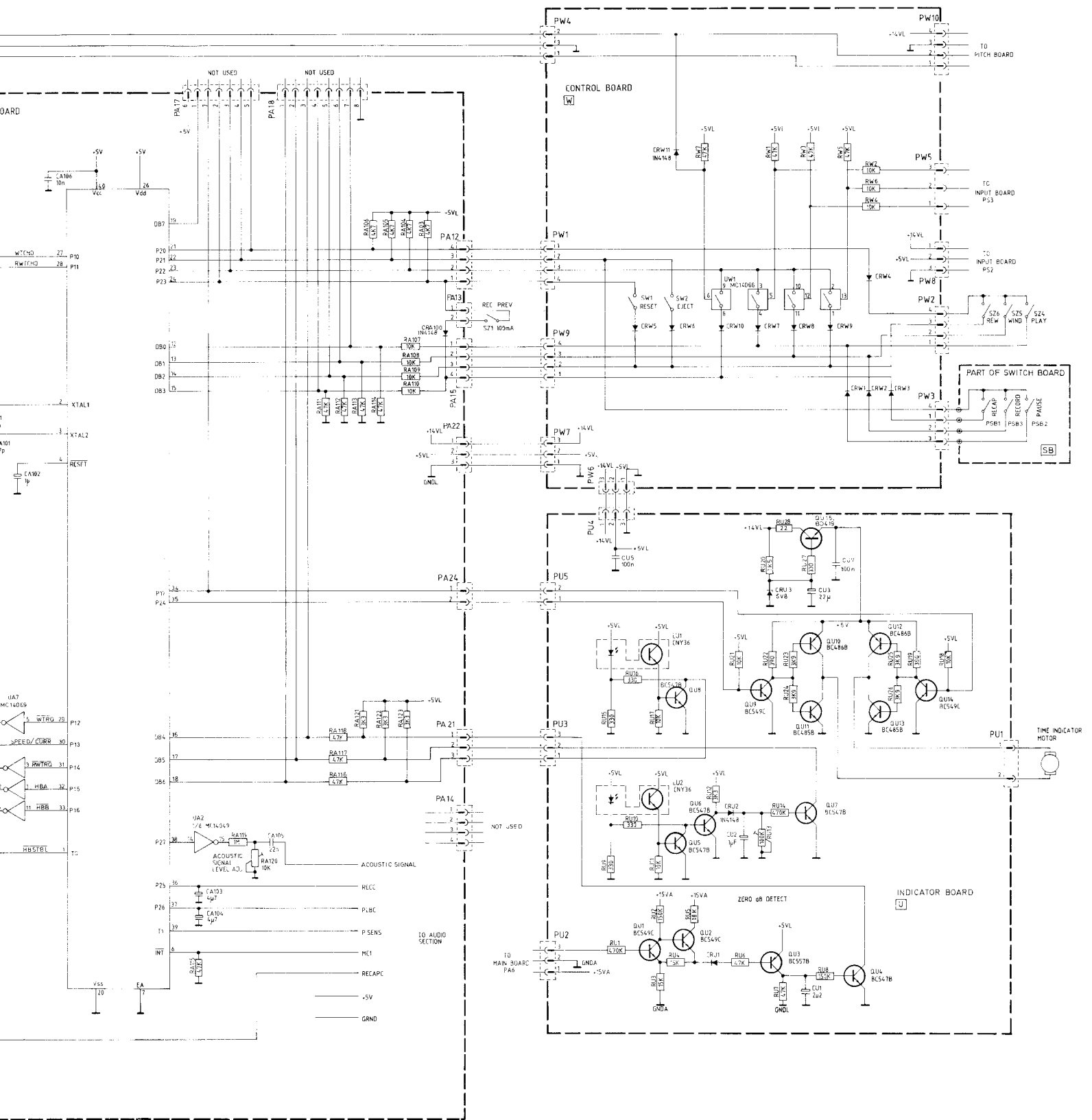


TCCR 530/TAL 812
SERIAL INTERFACE DIAGRAM

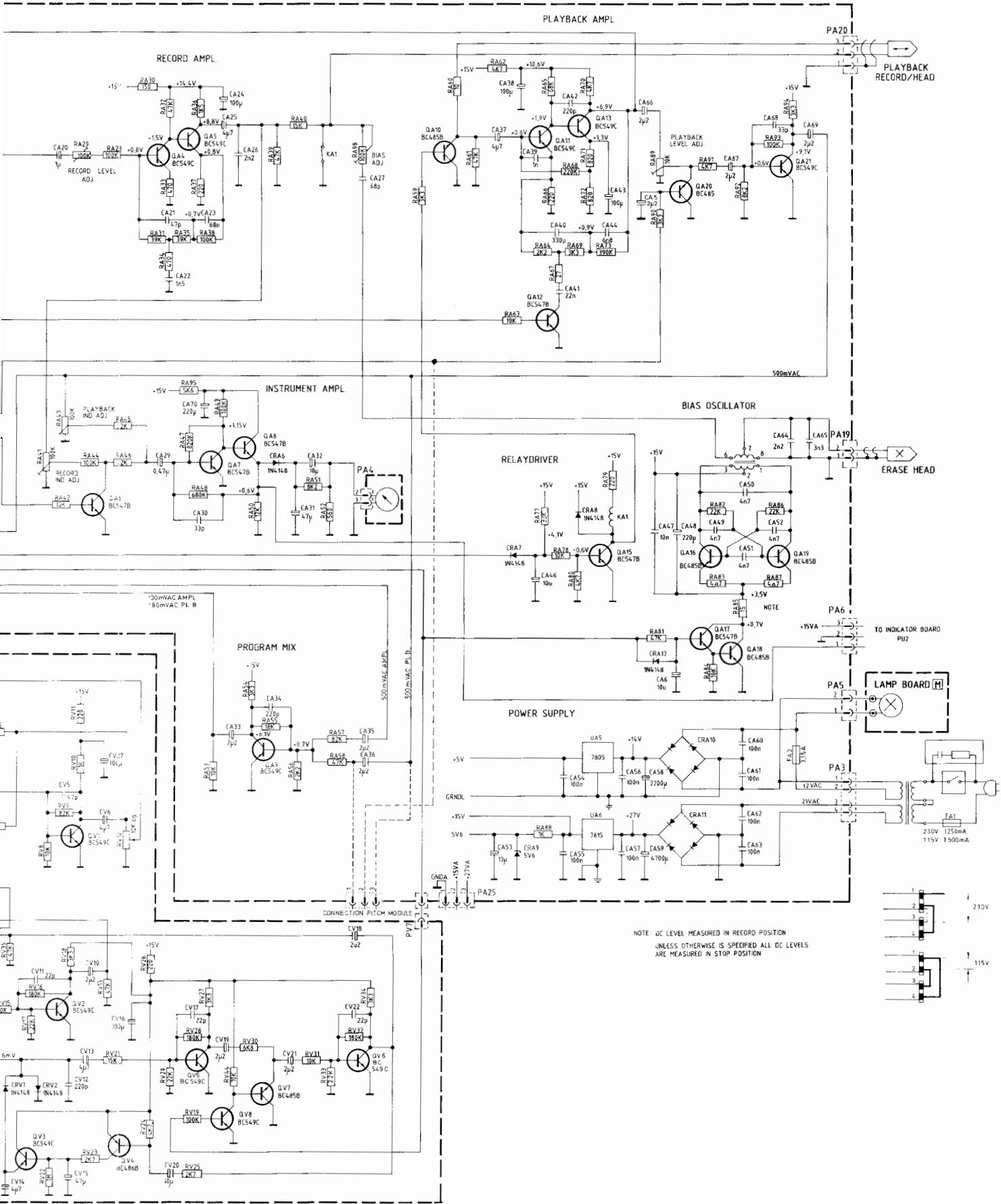
MAIN BOARD
AUDIO SECTION



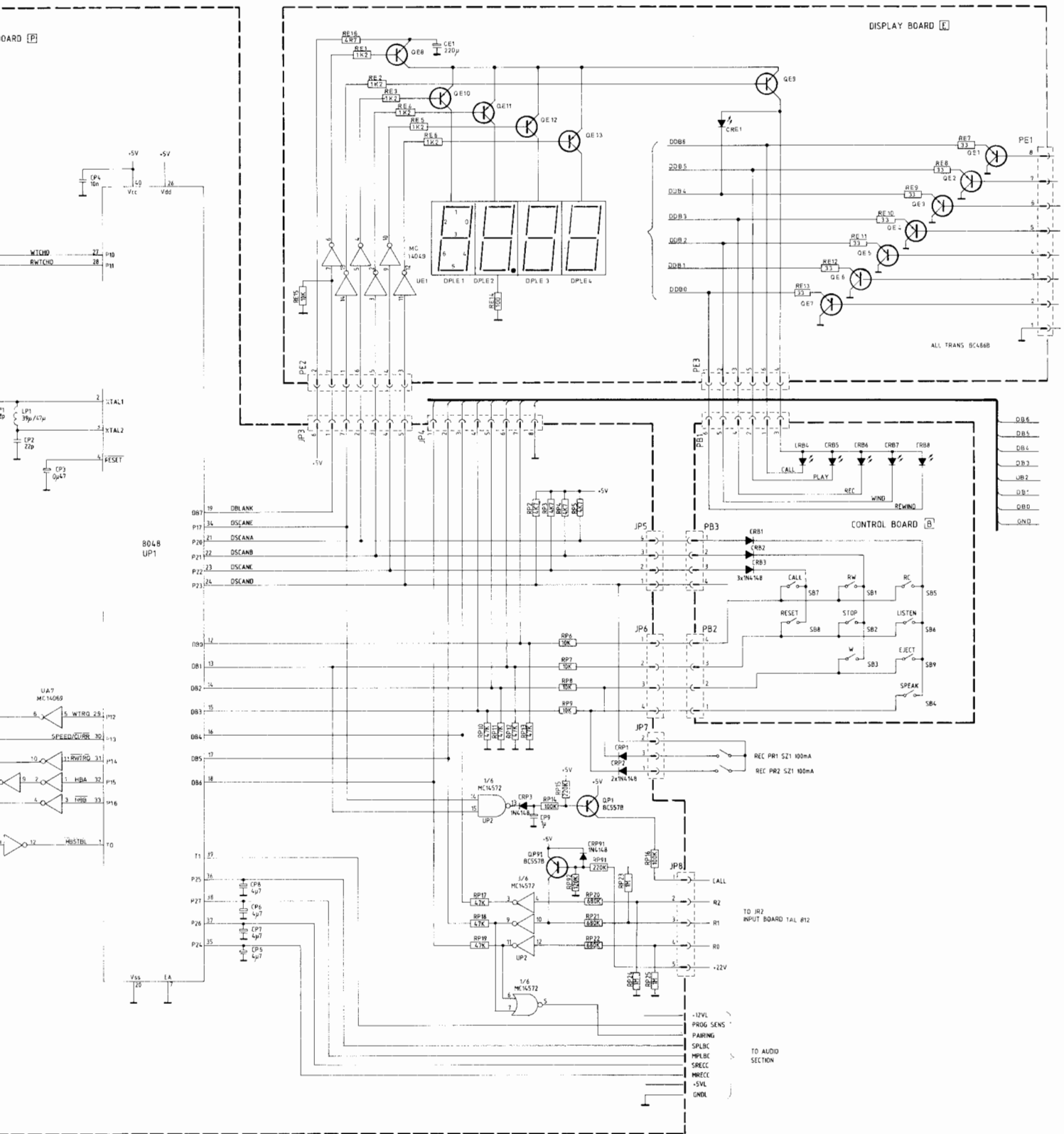




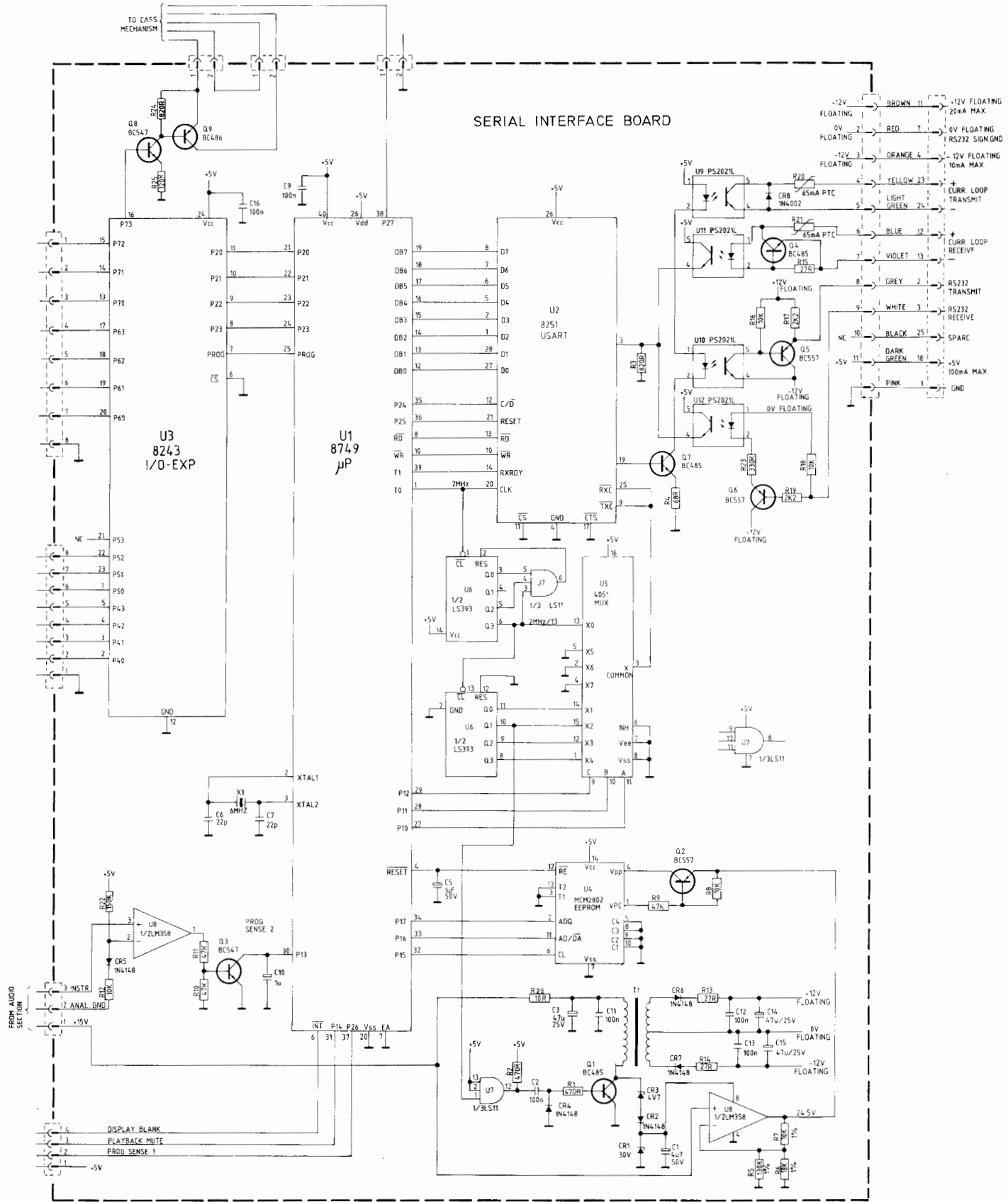
TCR 555 LOGIC DIAGRAM

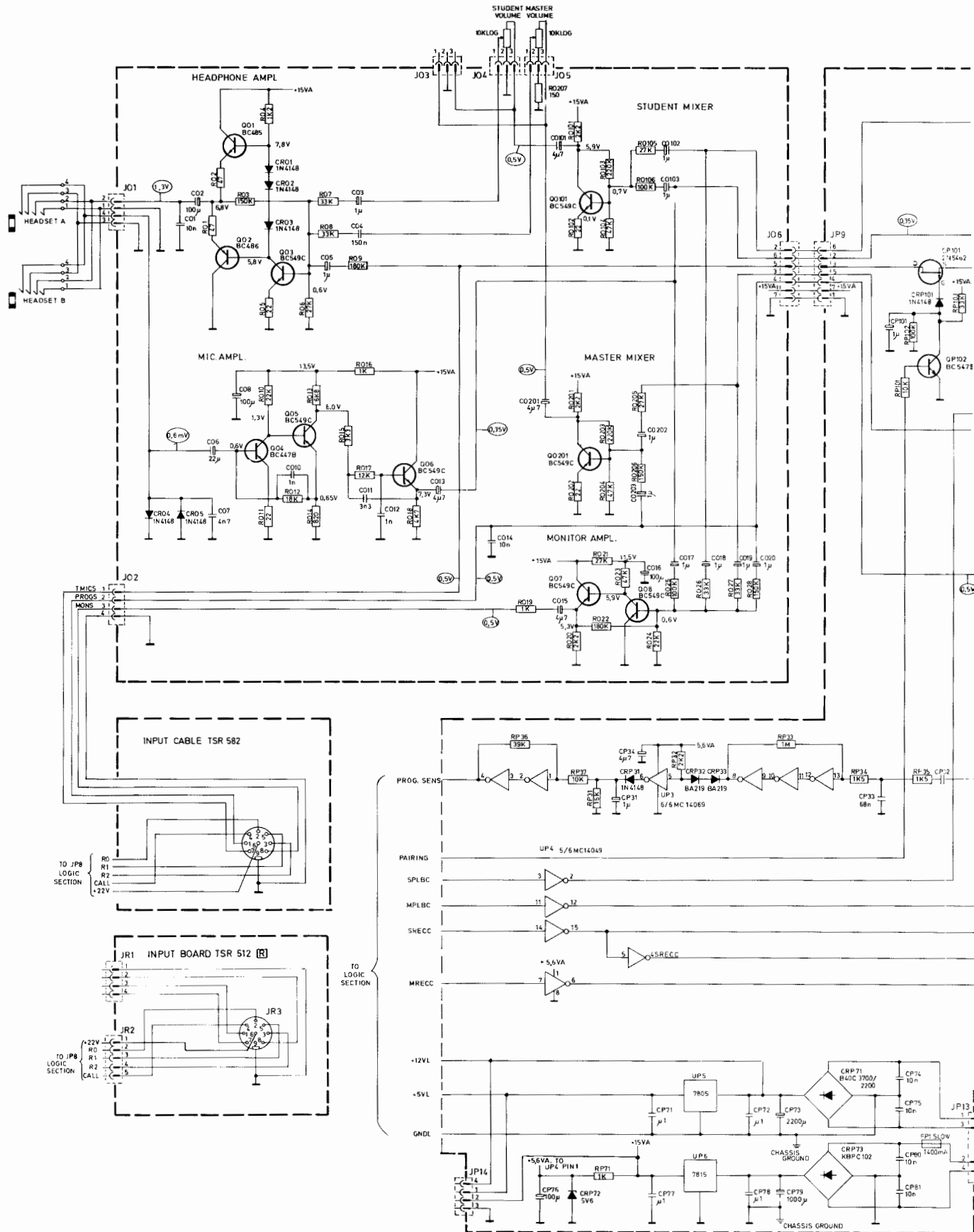


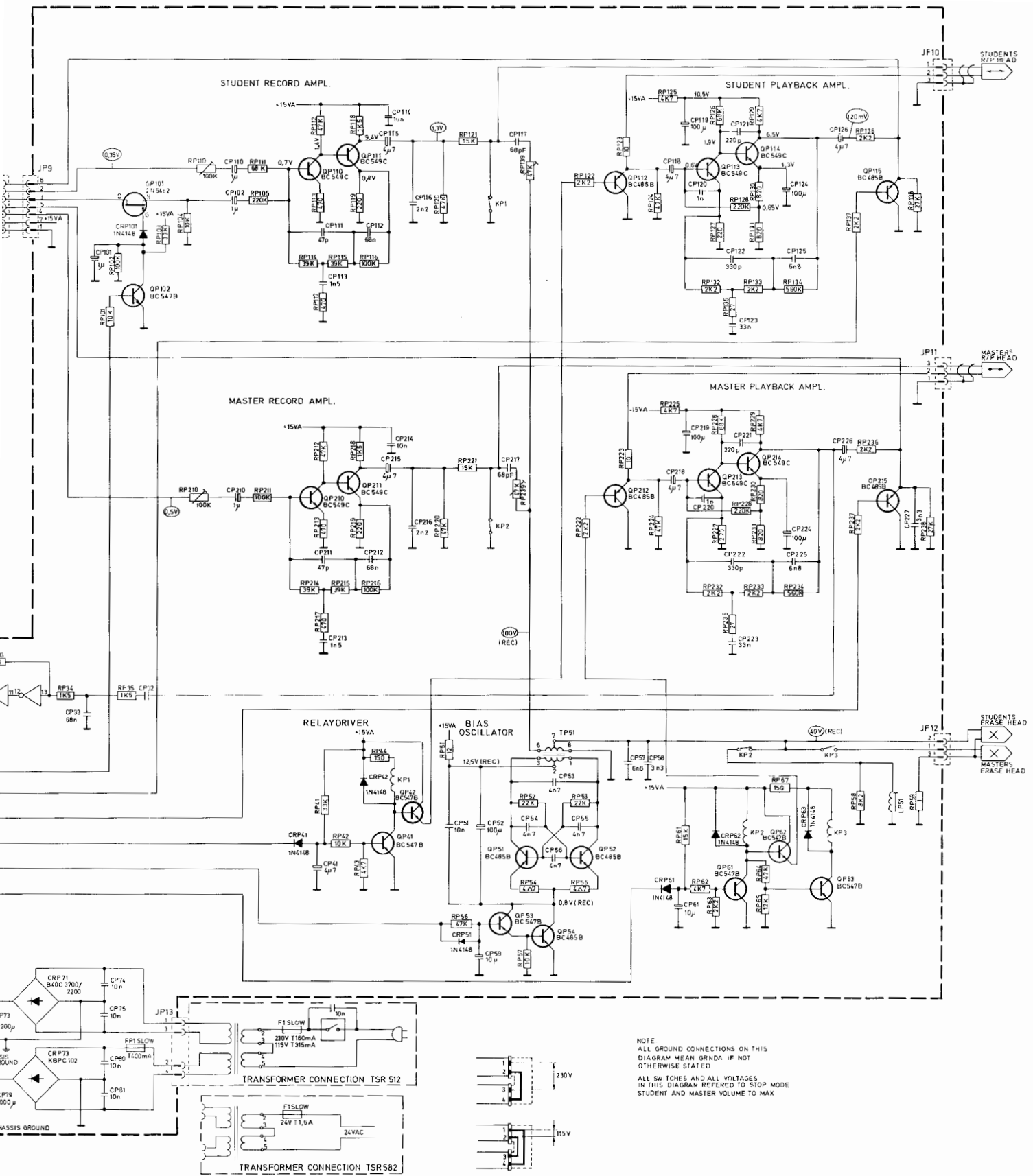
TCR 555 AUDIO DIAGRAM



TAL 812 LOGIC DIAGRAM

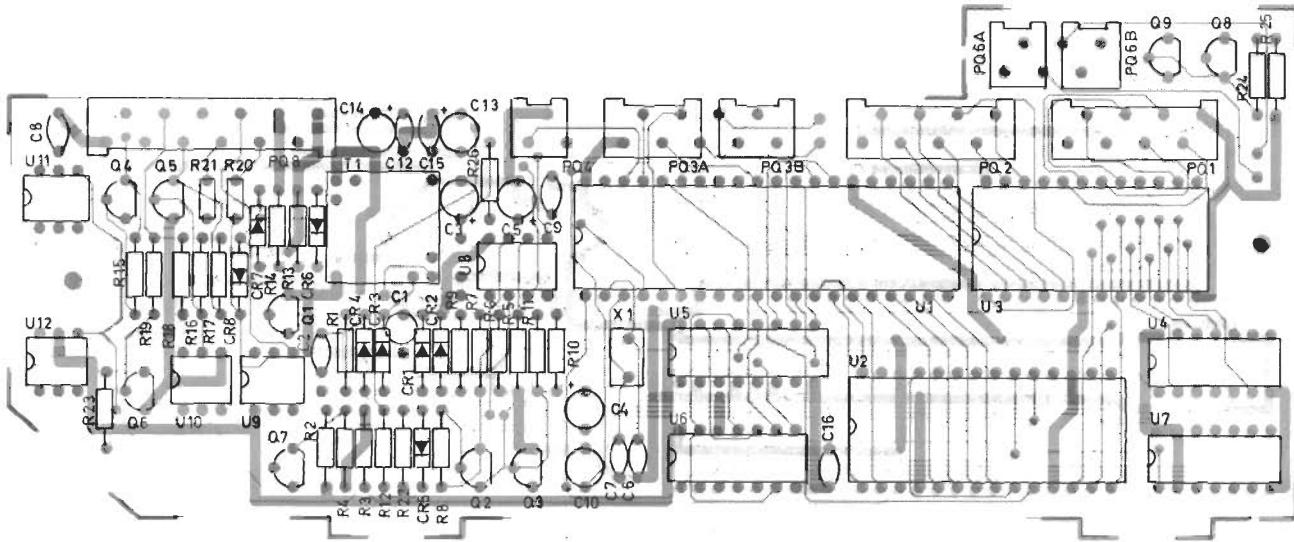




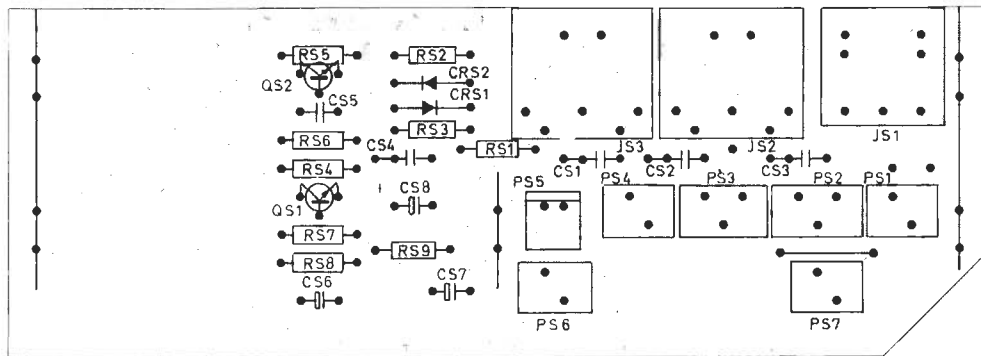


NOTE
 ALL GROUND CONNECTIONS ON THIS
 DIAGRAM MEAN GRNDA IF NOT
 OTHERWISE STATED
 ALL SWITCHES AND ALL VOLIAGES
 IN THIS DIAGRAM REFERED TO STOP MODE
 STUDENT AND MASTER VOLUME TO MAX

TAL 812 AUDIO DIAGRAM

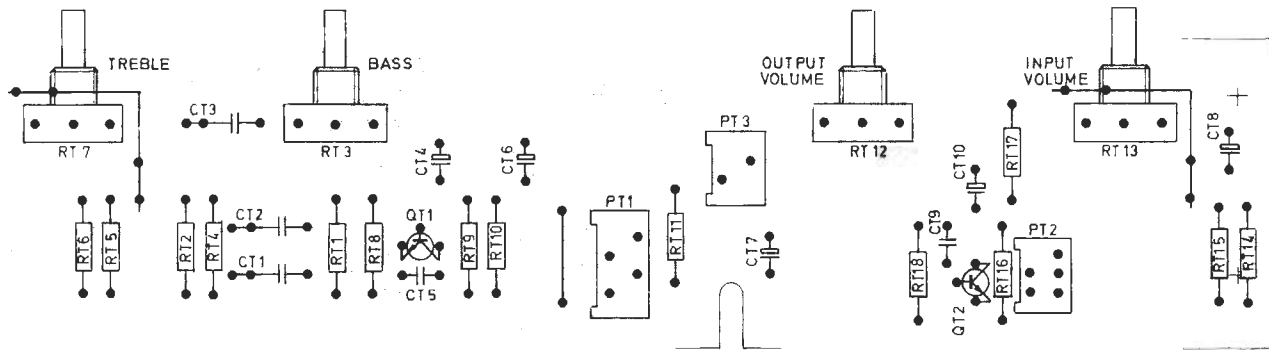


**TCCR 530/TAL 812
SERIAL INTERFACE BOARD**

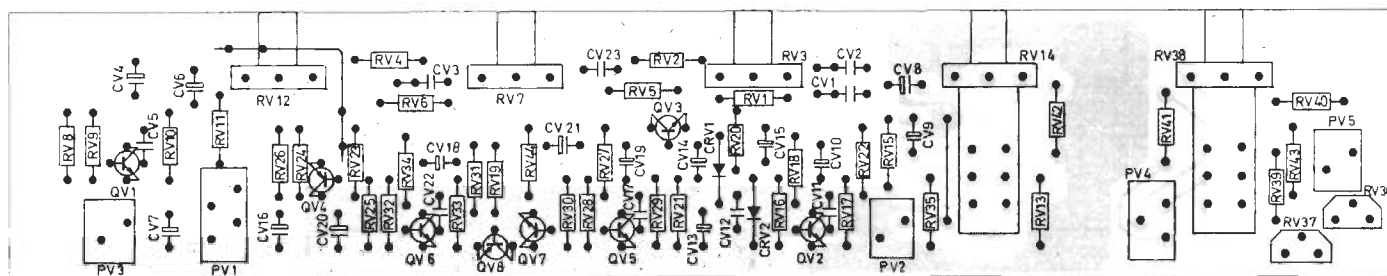


**TCR 522/TCCR 530/TCR 555
INPUT BOARD**

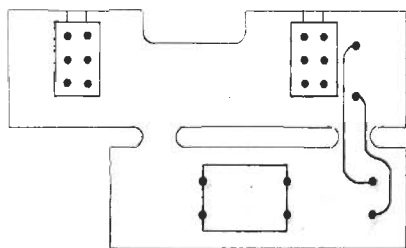
TCR 522: All printed circuit boards are from serial No. 818 05994.



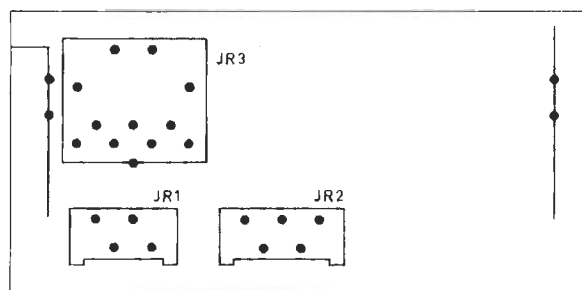
TCR 522/TCCR 530
AUDIO BOARD



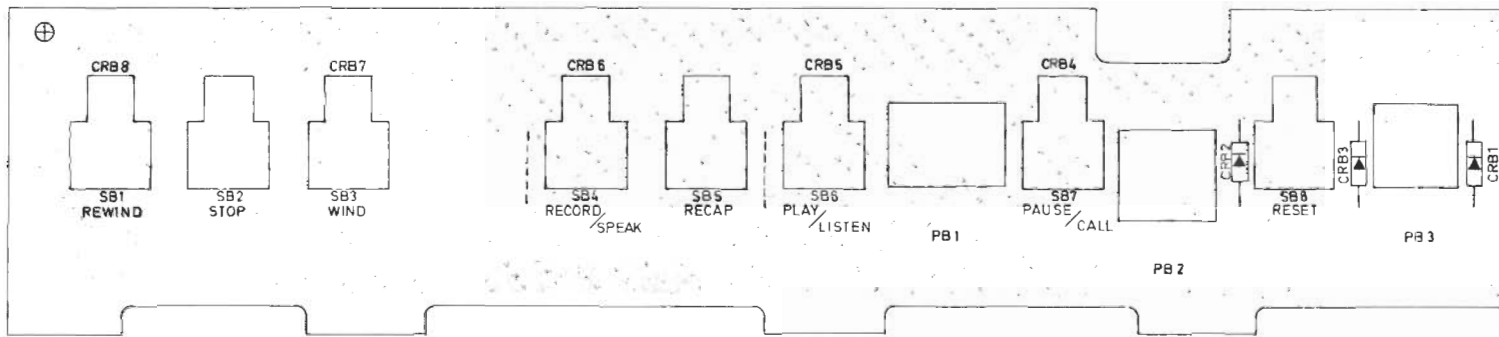
TCR 555 AUDIO BOARD



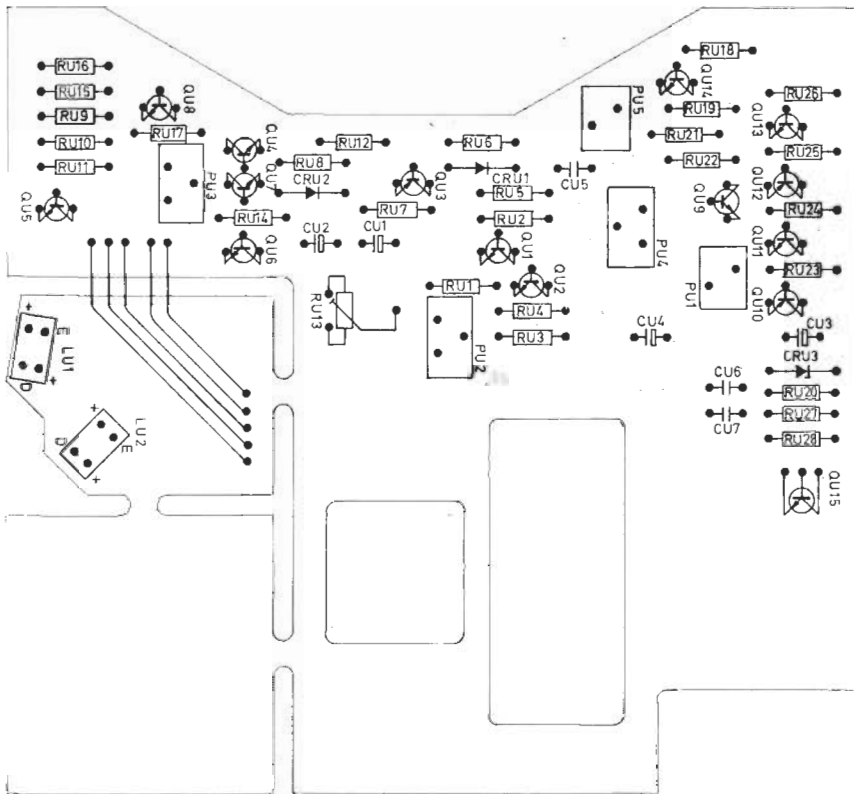
TCR 555 SWITCH BOARD



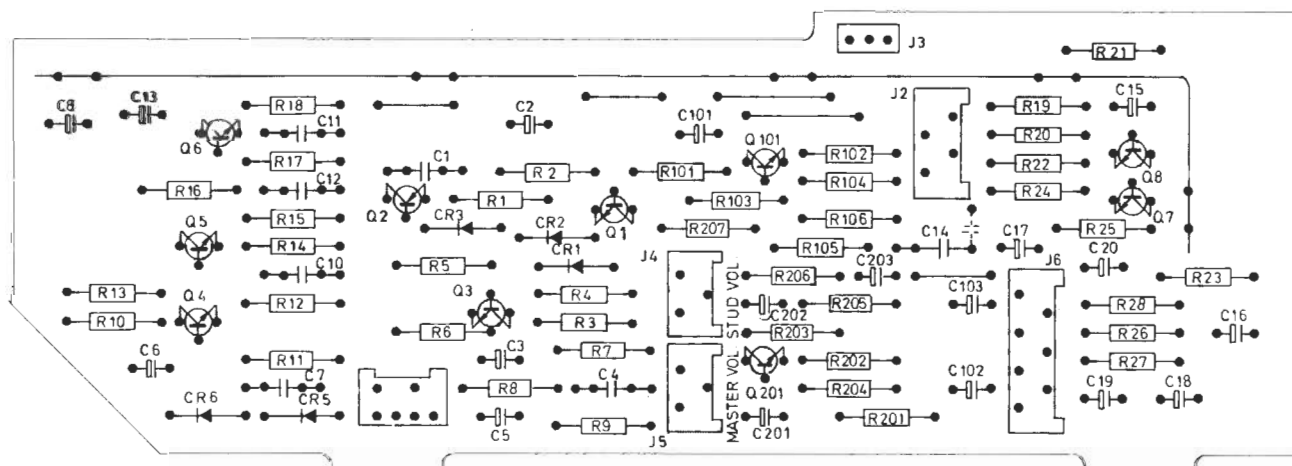
TAL 812 INPUT BOARD



TCR 522/TCCR 530/TAL 812 CONTROL BOARD

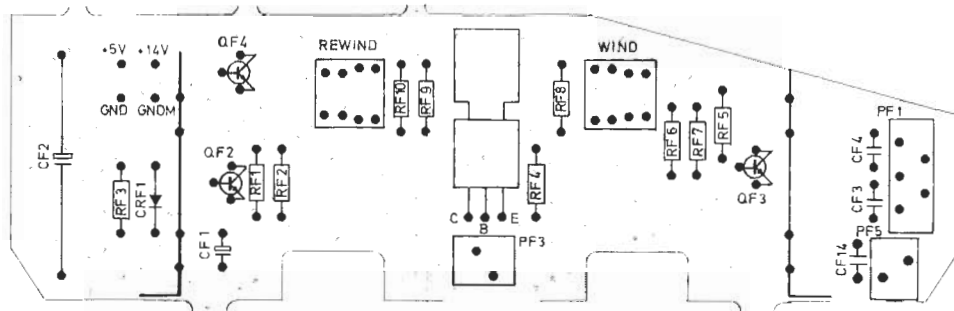
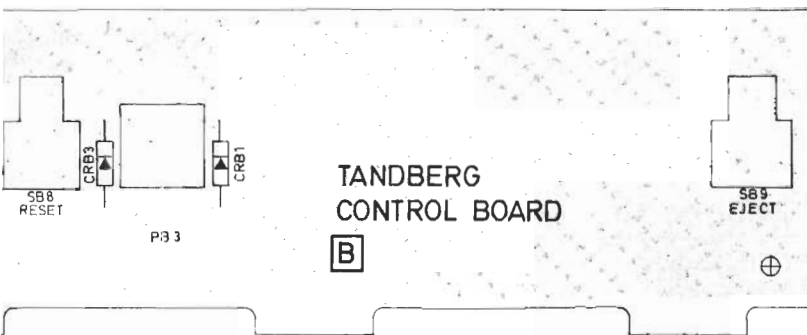


TCR 555 INDICATOR BOARD

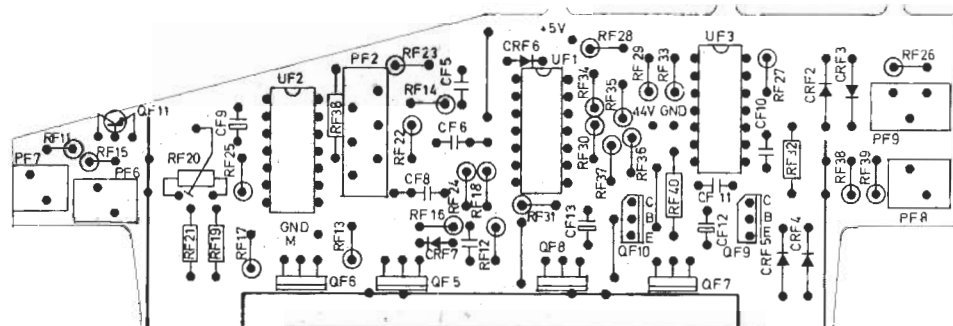


TAL 812 AMPLIFIER BOARD

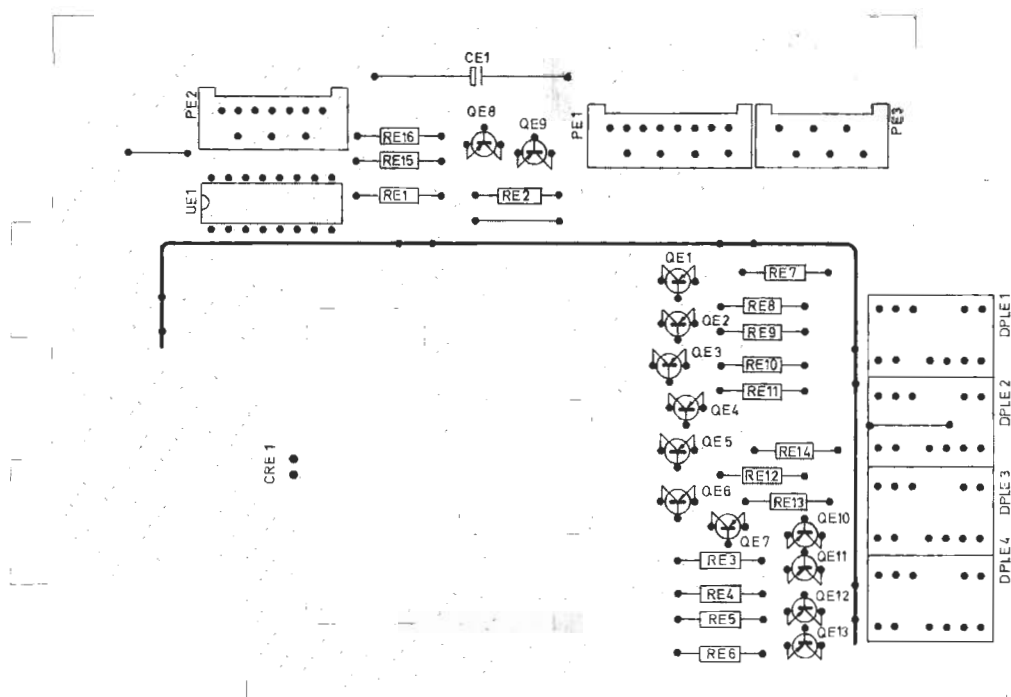
TCR 522: All printed circuit boards are from serial I

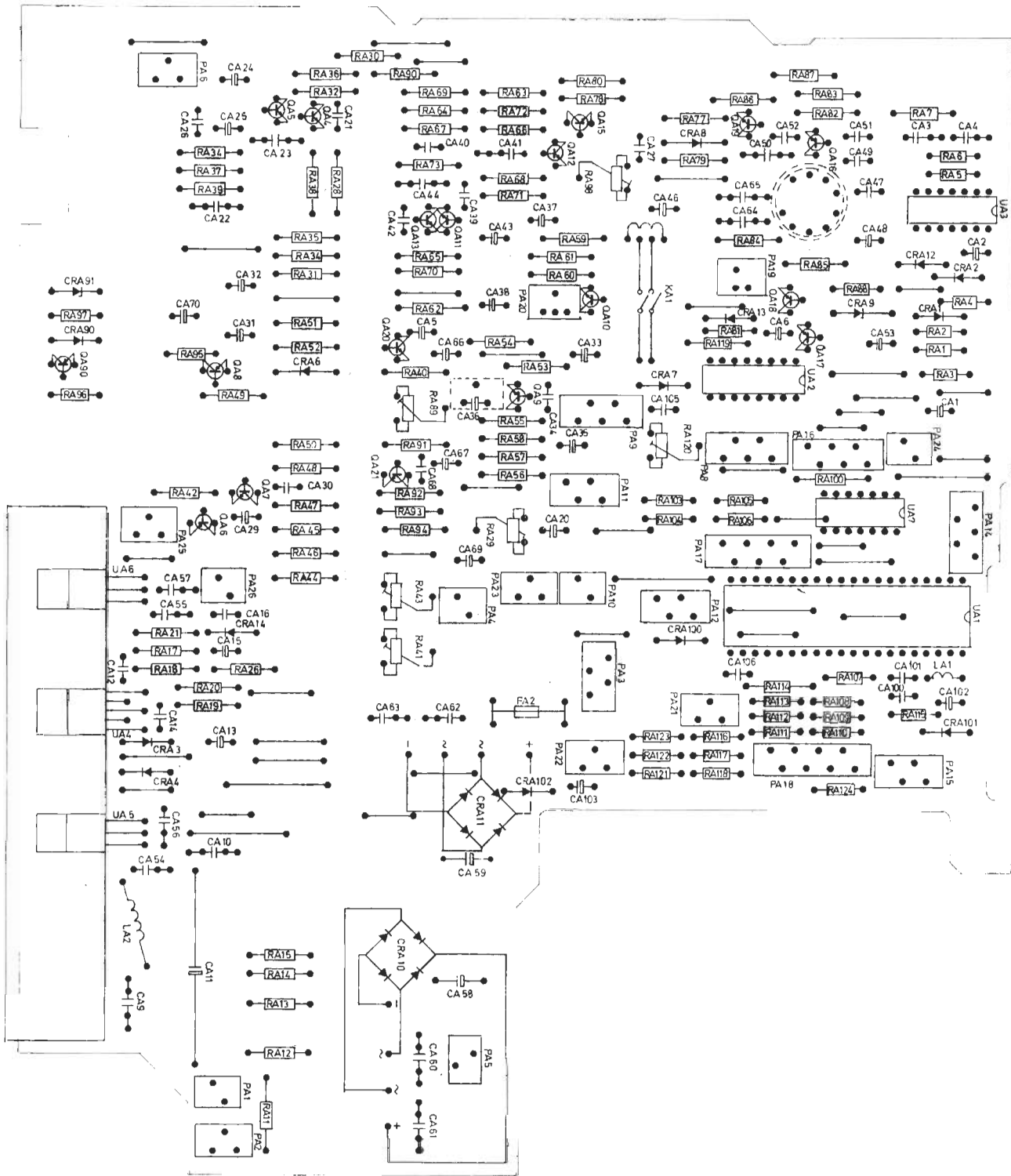


ALL MODELS, CAPSTAN AMPLIFIER BOARD



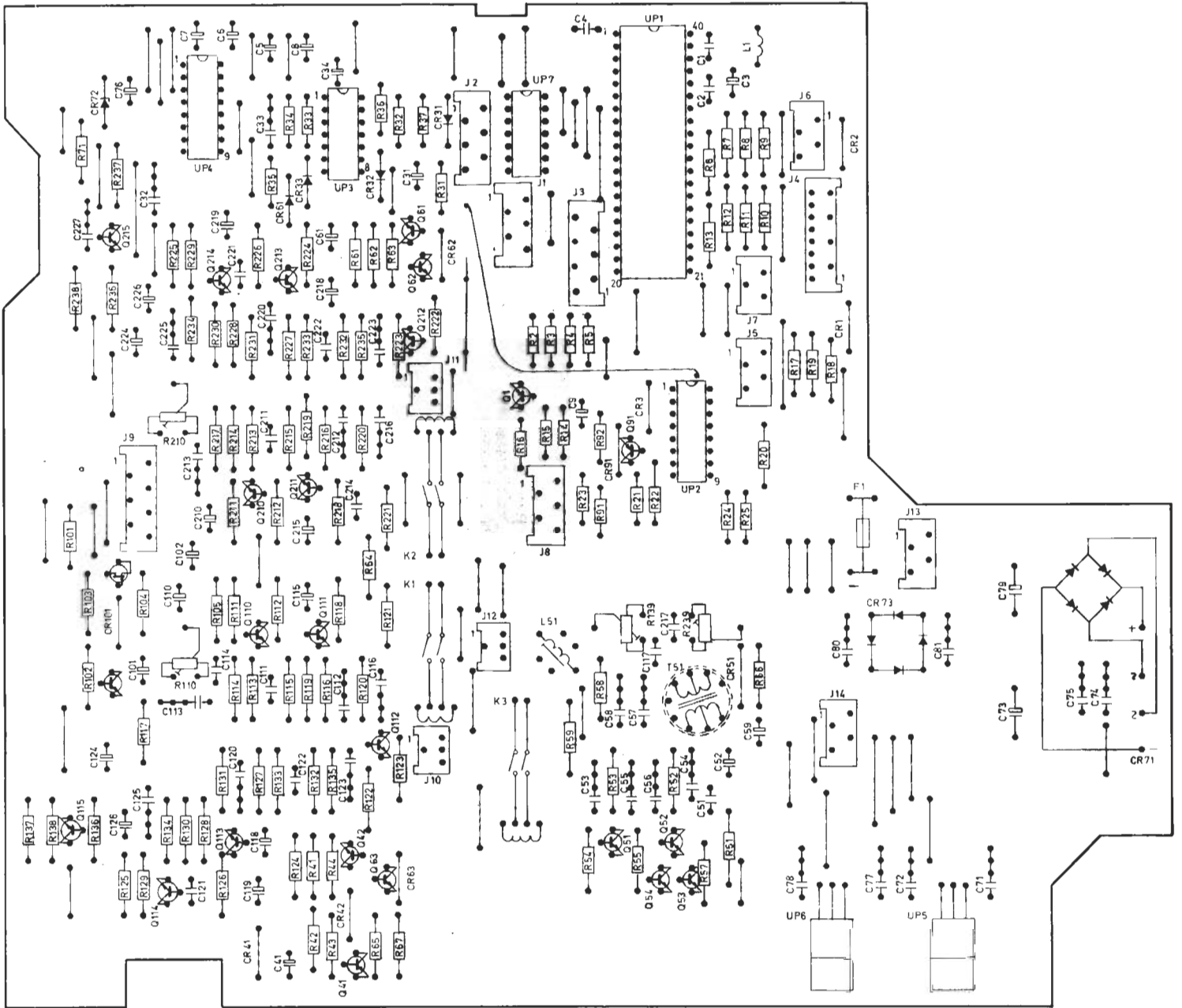
ALL MODELS, SERVO AMPLIFIER BOARD





TCR 522/TCR 530/TCR 555 MAIN BOARD

TCR 522: All printed circuit boards are from serial No. 818 05994.



TAL 812 MAIN BOARD

Tandberg A/S
Educational
Fetveien 1, P.O. Box 53
N-2007 Kjeller, Norway

1931 - 1 - 84 Part No. 714202 Printed in Norway by Sem & Stenersen Offset A/S © Tandberg A/S 1984

Subsidiaries:

Tandberg Ltd.
Revie Road Ind. Estate
Elland Road
Leeds LS11 8JG
West Yorkshire
England

Telephone:
(0532) 77 48 44
Telex:
557611 tanrah g

Tandberg Radio Deutschland GmbH
Heinrich Hertz Straße 24
4006 Erkrath 1
W-Germany

Telephone:
(0211) 20 30 76
Telex:
8587379 tand d

Tandberg Audio AB
P.O. Box 20104
161 20 Bromma
Sweden

Telephone:
(08) 98 04 50
Telex:
10853 teduc s

Tandberg of America Inc.
Labriola Court
Armonk
N.Y. 10504
U.S.A.

Telephone:
(914) 273 9150
Telex:
137357 tanberg arnk

World Headquarters:



Tandberg A/S
Fetveien 1
Kjeller - Norway

Postal address
P.O. Box 53
2007 Kjeller
Norway

Telephone
(47 2) 71 68 20
Telex
71886 tand n
Cables
TANRA-OSLO

TANDBERG