

60,- NETTO.

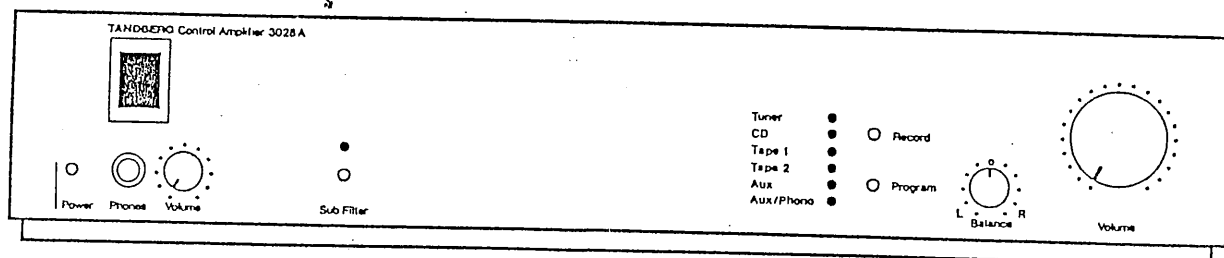
TANDBERG® TCA 3028A

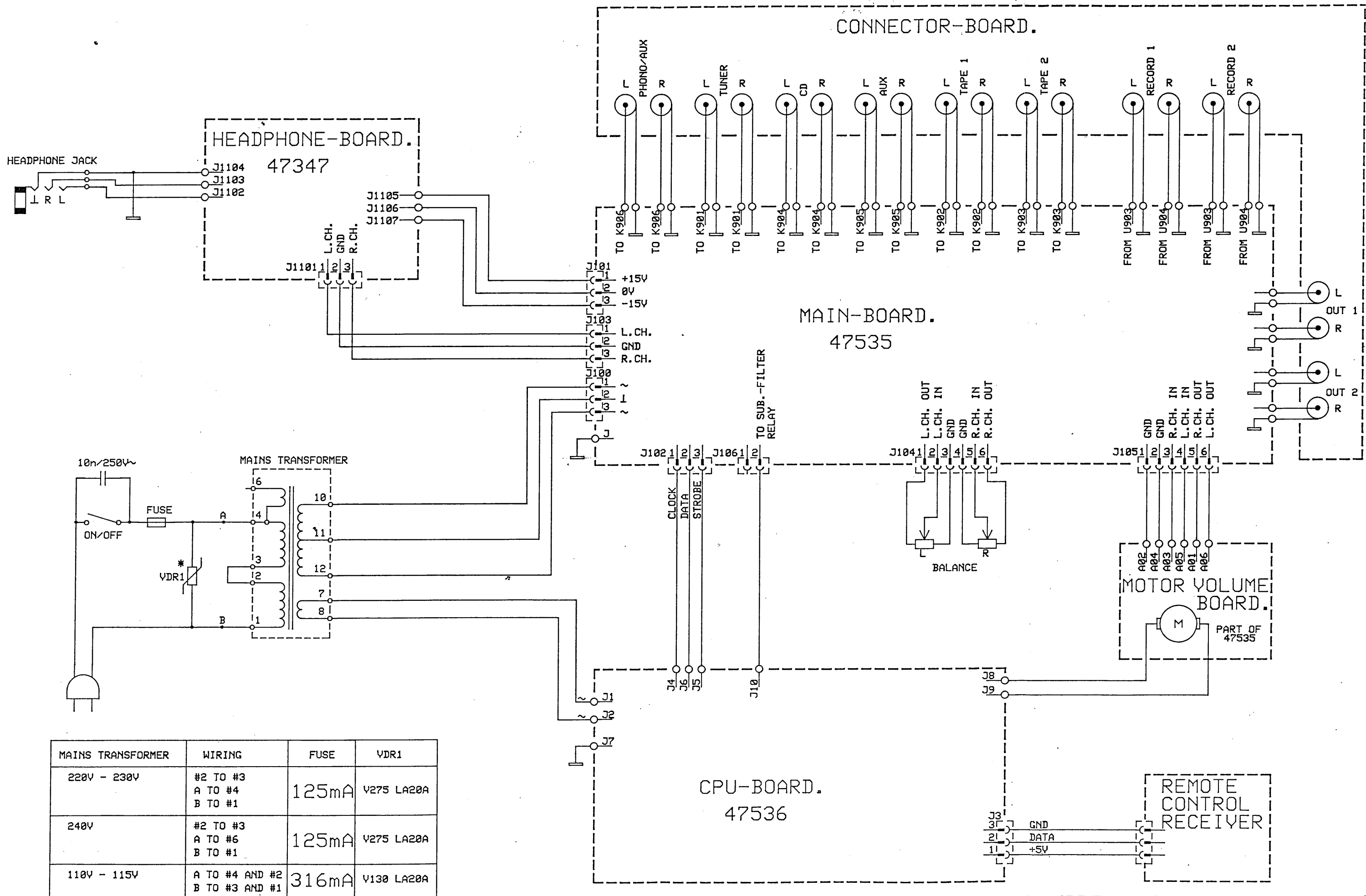
Circuit Diagrams

SLIPPER SIGNAL IGJENOM TUNER HØYRE
KANAL.

SEKK REELE K-901 (HENGER PÅ POLENE)

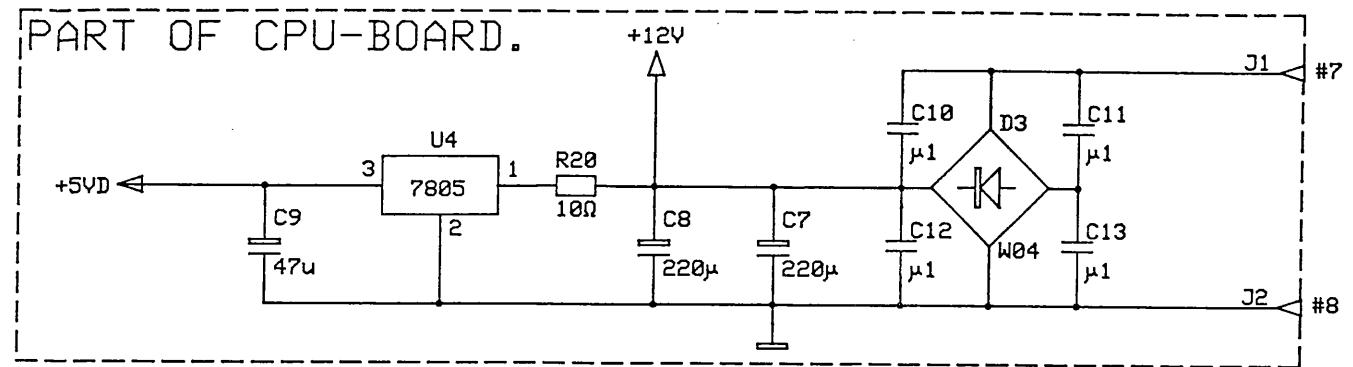
NES: TLF: 63817501
FAX: 63819452.



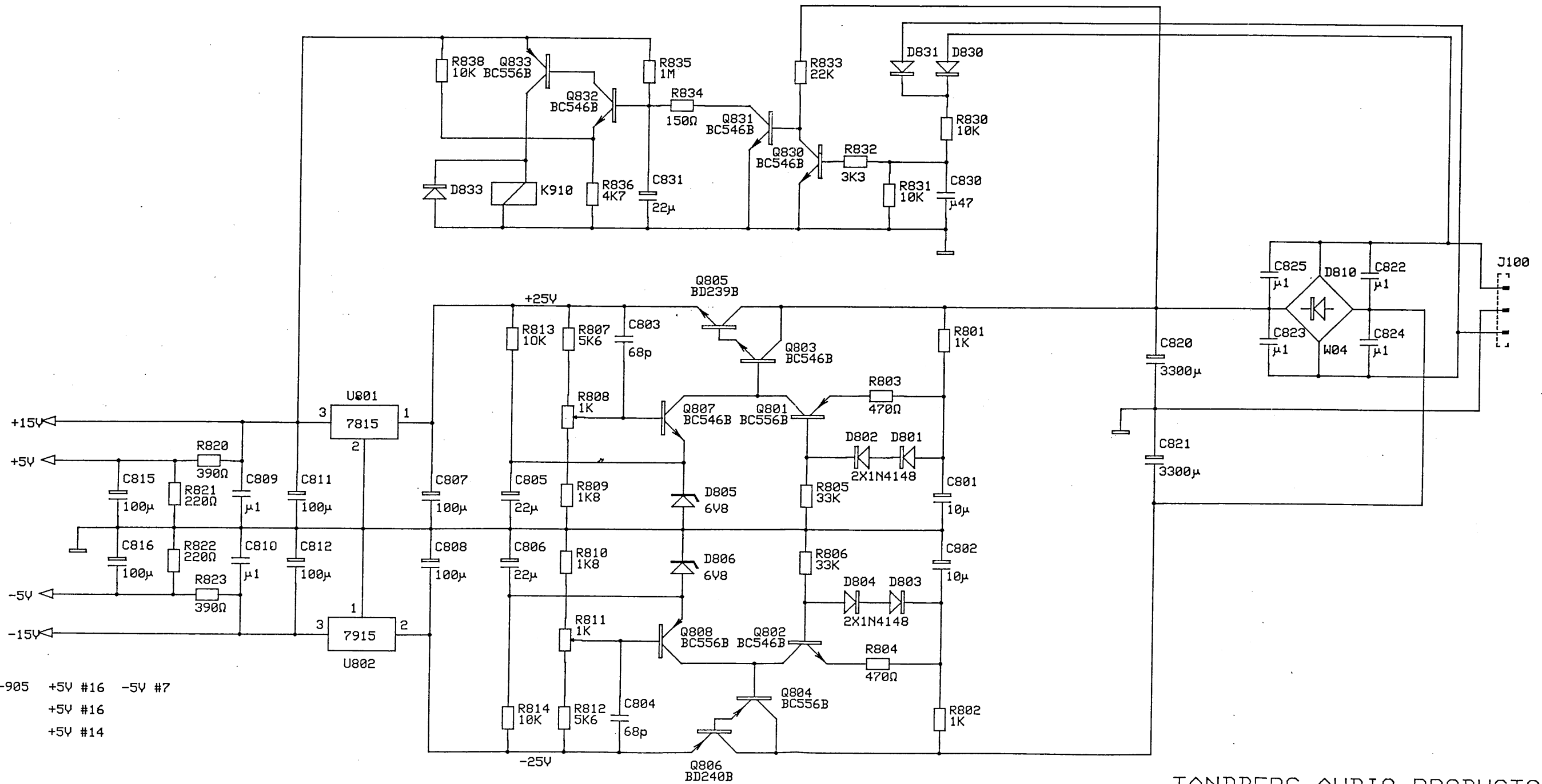


MAINS TRANSFORMER	WIRING	FUSE	VDR1
220V - 230V	#2 TO #3 A TO #4 B TO #1	125mA	V275 LA20A
240V	#2 TO #3 A TO #6 B TO #1	125mA	V275 LA20A
110V - 115V	A TO #4 AND #2 B TO #3 AND #1	316mA	V130 LA20A

* THE VARISTOR MUST BE CHANGED IF MAINS IS CHANGED



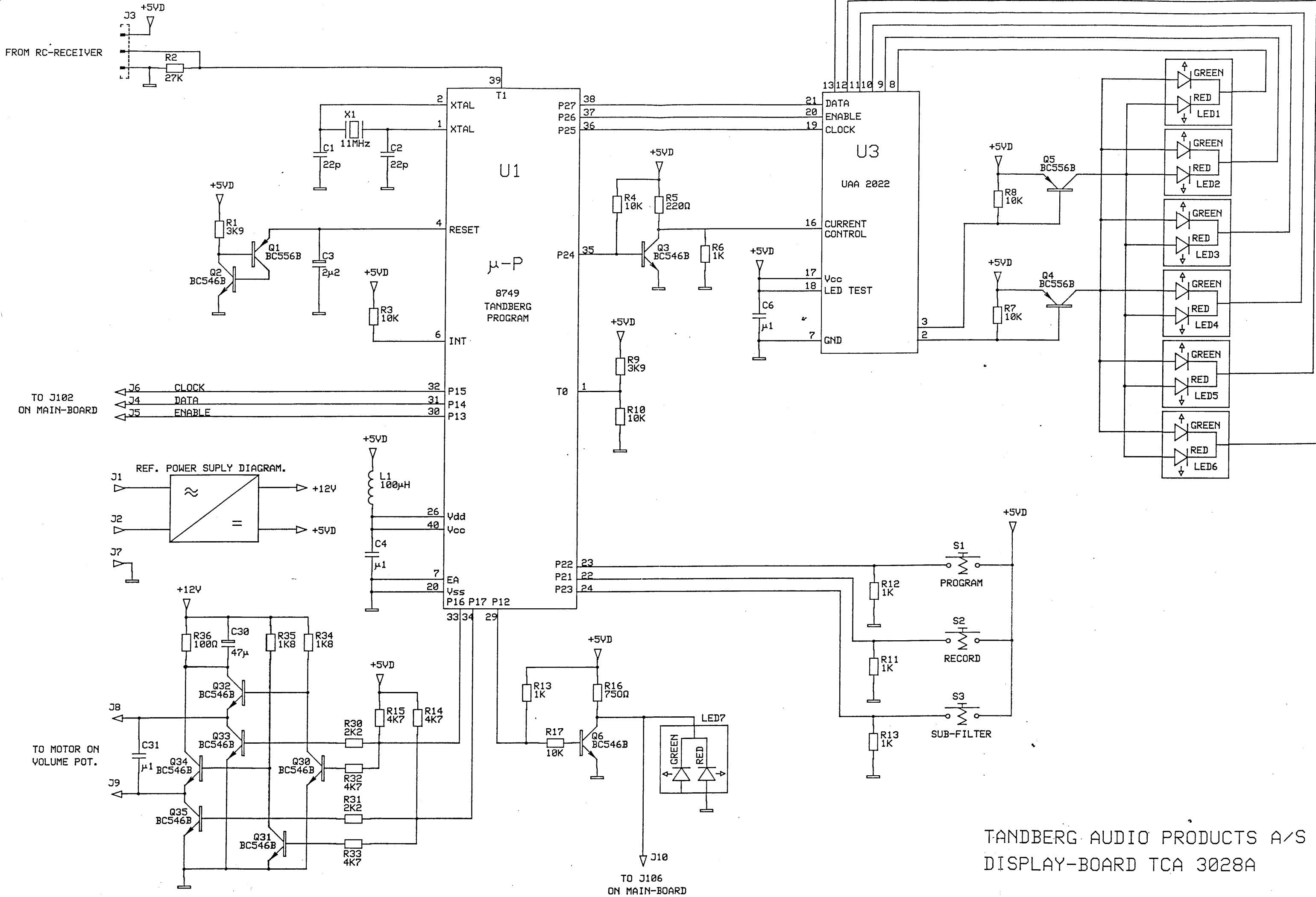
FROM MAINS
TRANSFORMER.



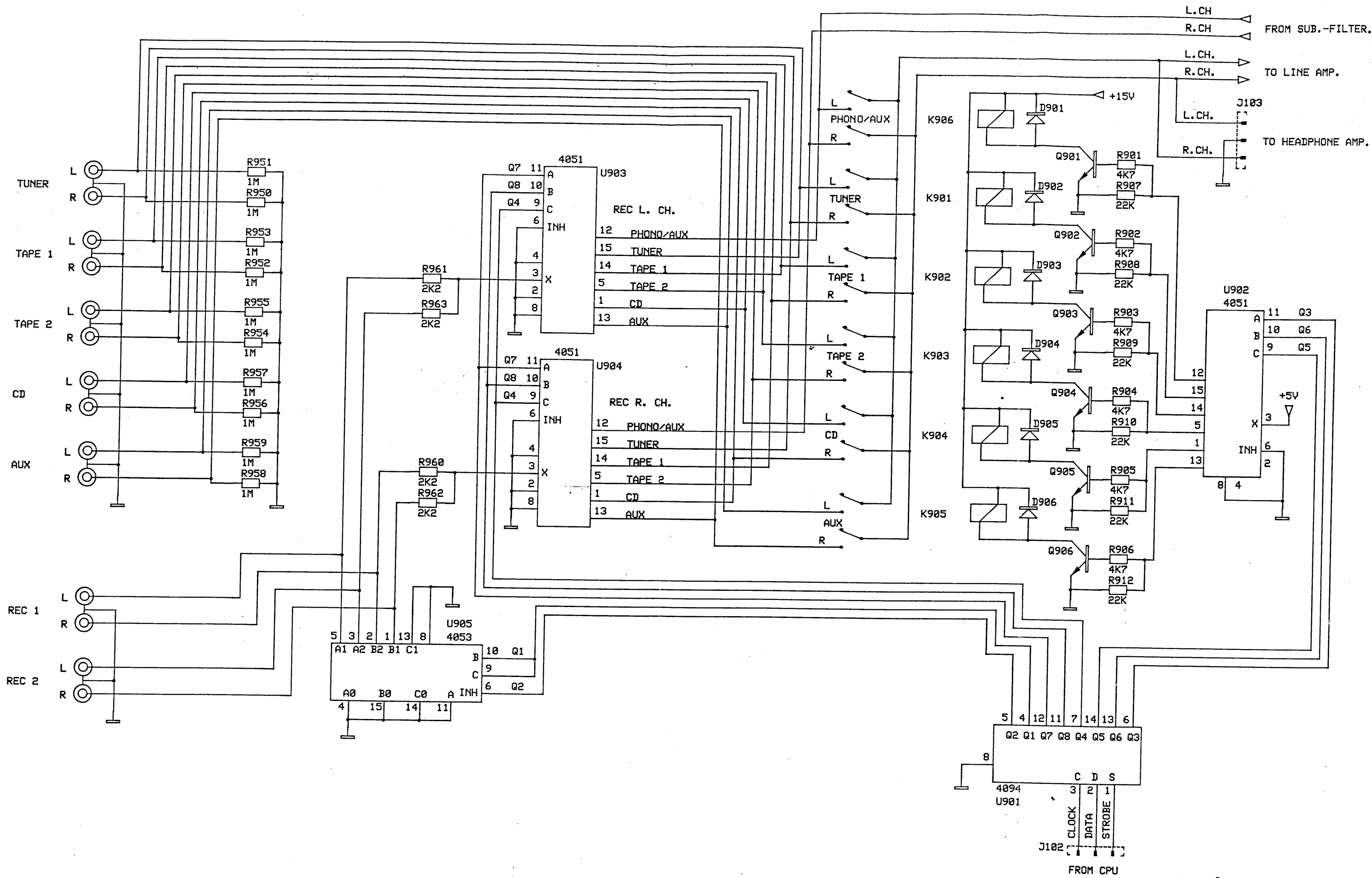
FROM MAINS
TRANSFORMER.
#10, 11, 12

- U902-905 +5V #16 -5V #7
- U901 +5V #16
- U906 +5V #14

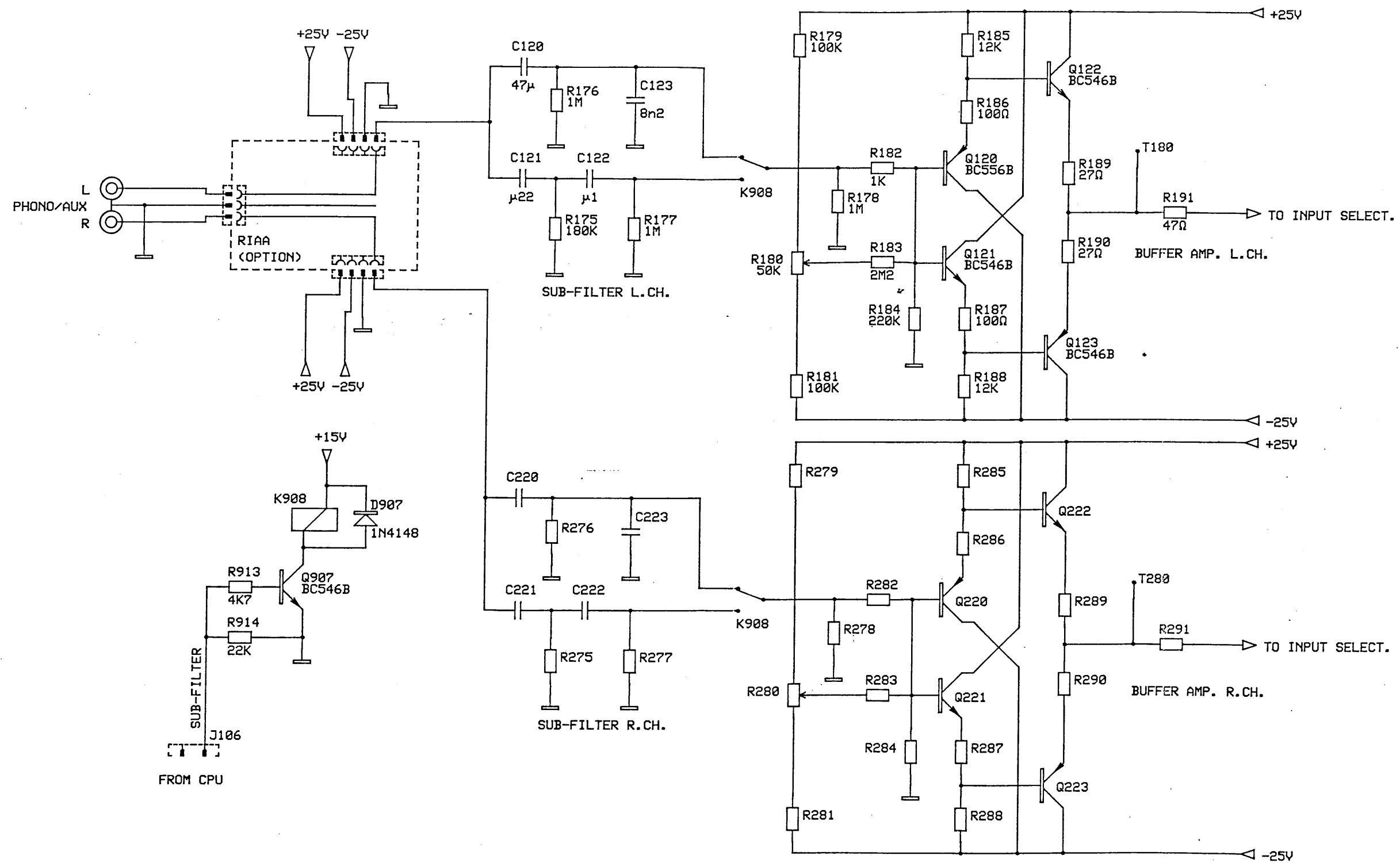
TANDBERG AUDIO PRODUCTS A/S
POWER SUPPLY TCA 3028A
PART OF MAIN-BOARD.



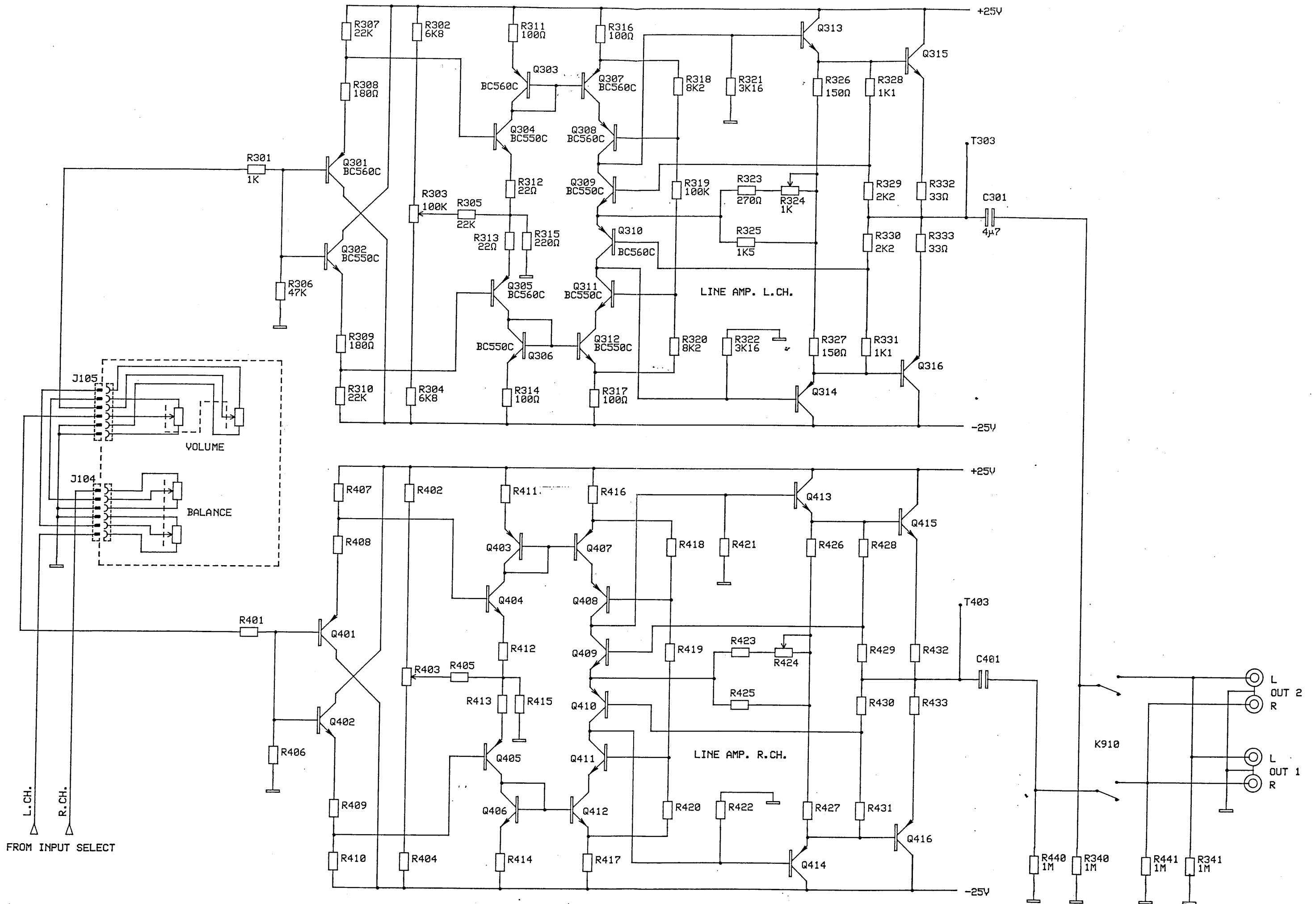
TANDBERG AUDIO PRODUCTS A/S
 DISPLAY-BOARD TCA 3028A



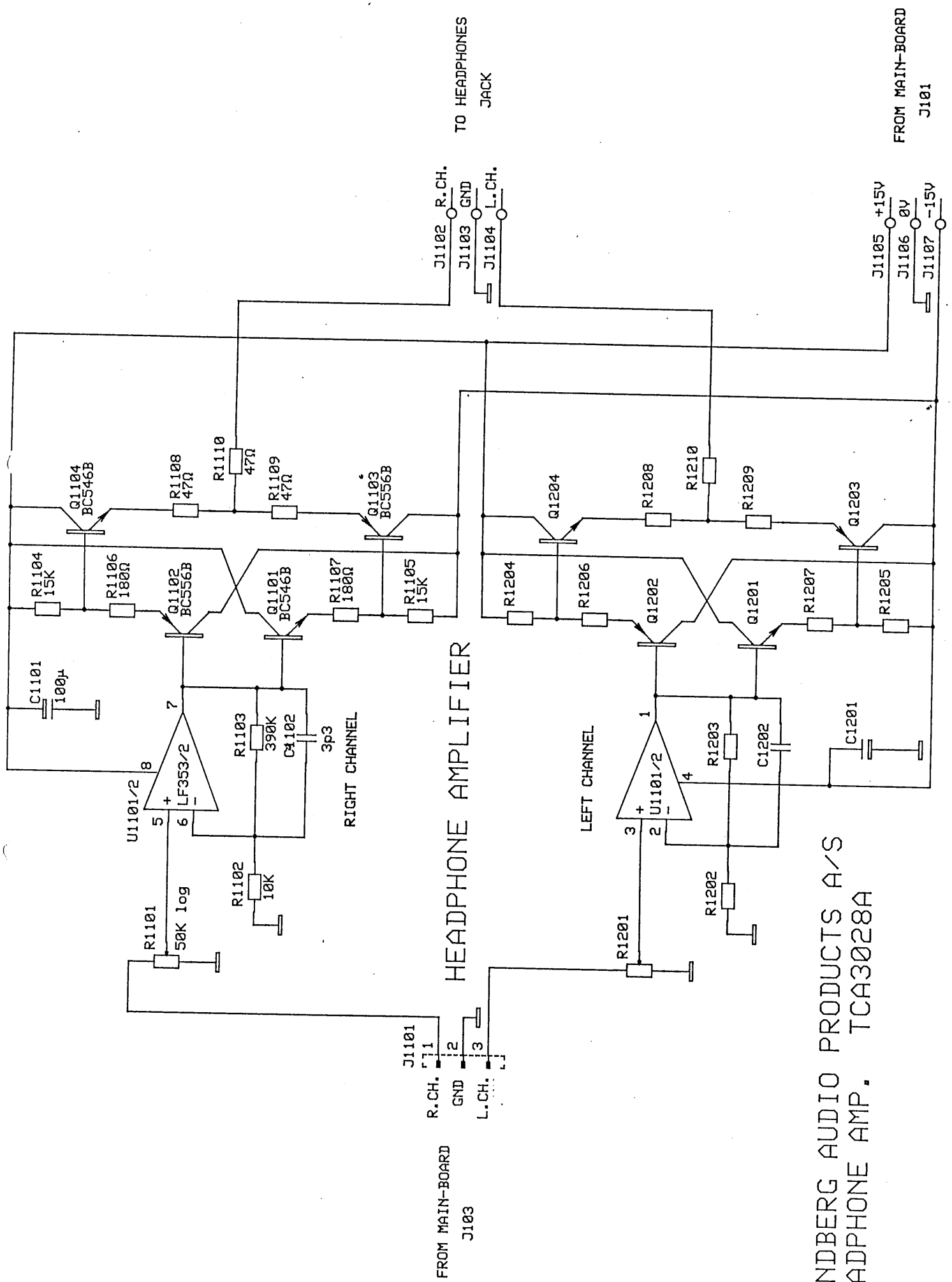
TANDBERG AUDIO PRODUCTS A/S
 INPUT SELECT AND RECORD SELECT
 TCA 3028A PART OF MAIN-BOARD.



TANDBERG AUDIO PRODUCTS A/S
 PHONO/AUX INPUT AND SUB.-FILTER
 WITH BUFFER AMP. TCA 3028A
 PART OF MAIN-BOARD.



TANDBERG AUDIO PRODUCTS A/S
 LINE AMP. TCA3028A
 PART OF MAIN-BOARD



HEADPHONE AMPLIFIER

TANDBERG AUDIO PRODUCTS A/S
 HEADPHONE AMP. TCA3028A