

# **TANDBERG®**

## Control Amplifier 3002

### Illustrated Parts List

#### **Bestilling av deler**

Ved alle henvendelser, vennligst oppgi apparatets type og serienummer.  
Ved bestilling av deler, oppgi bestillingsnummer og beskrivelse.

#### **Bestillingsadresse**

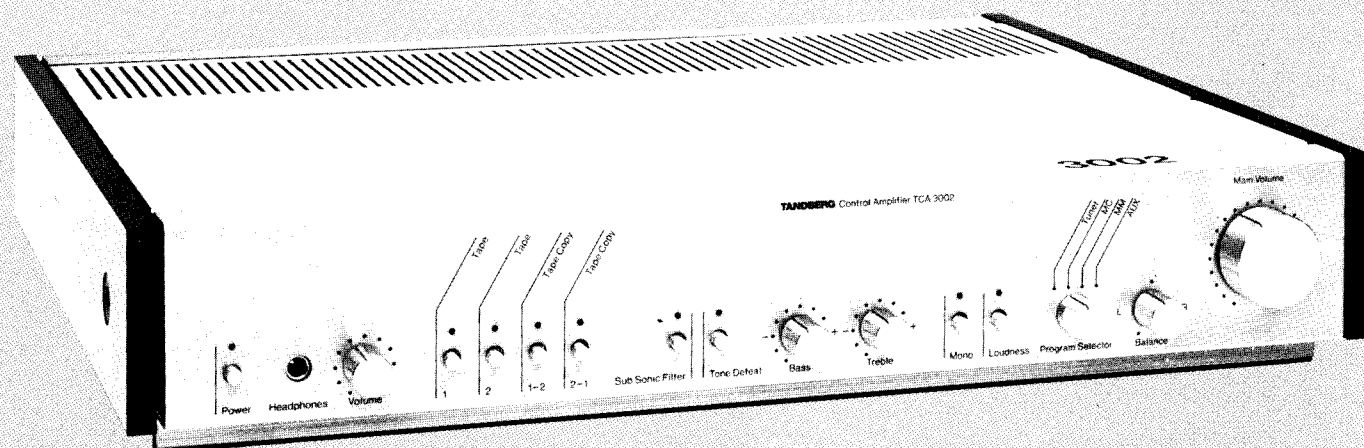
Kontakt nærmeste Tandberg-kontor eller:  
Tandberg A/S  
Sentral Delelager – Service  
Postboks 53  
N – 2007 KJELLER – Norge  
Telefon: (02) 71 68 20  
Telex: 18007 kurer n

#### **Ordering of spare parts**

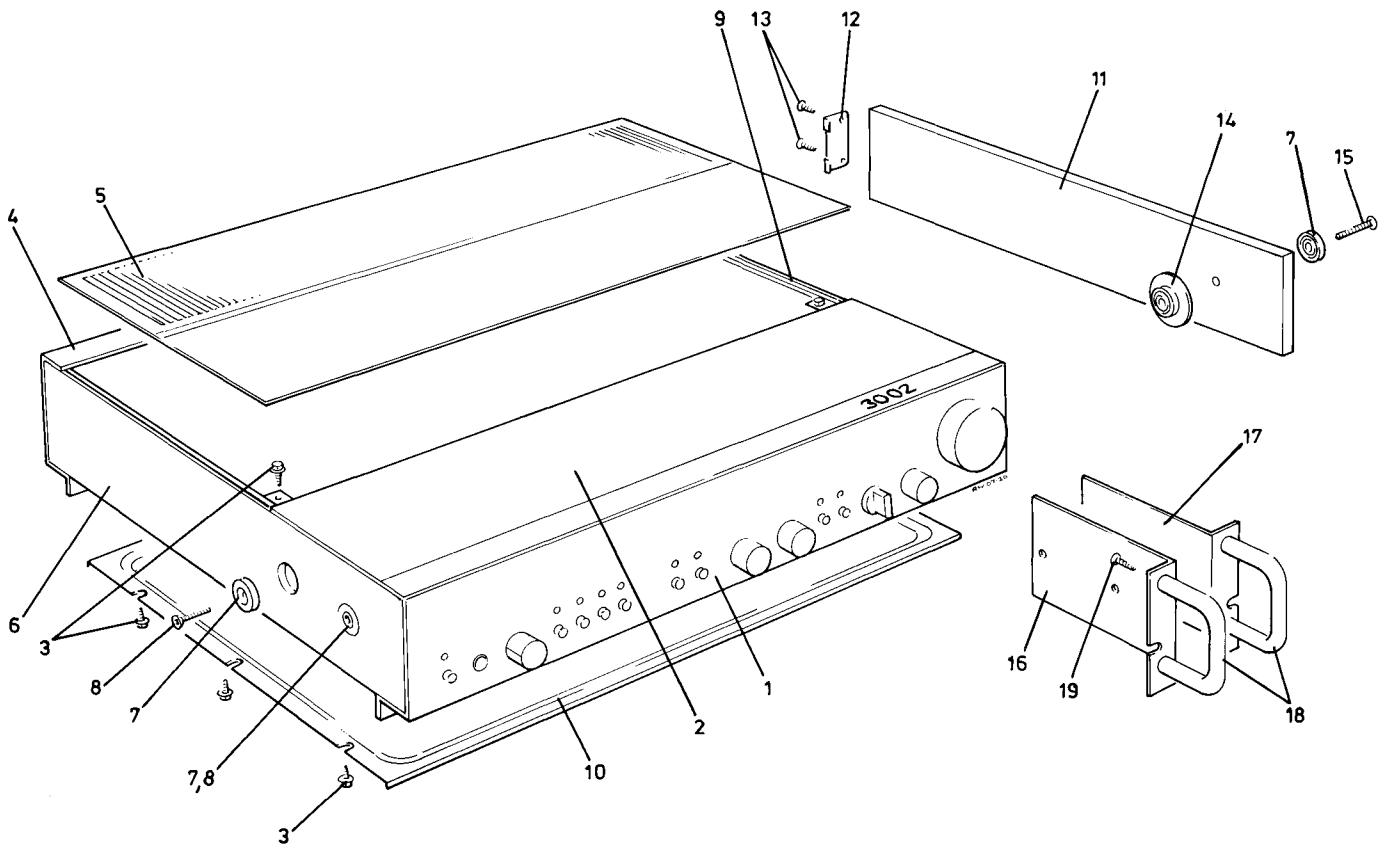
For all enquiries, please state the set's type and serial number.  
When ordering, give the part's order number and description.

#### **Address**

Contact your nearest Tandberg office or:  
Tandberg A/S  
Spares Department  
P.O. Box 53  
N – 2007 KJELLER – Norway  
Telephone: (2) 71 68 20  
Telex: 18007 kurer n

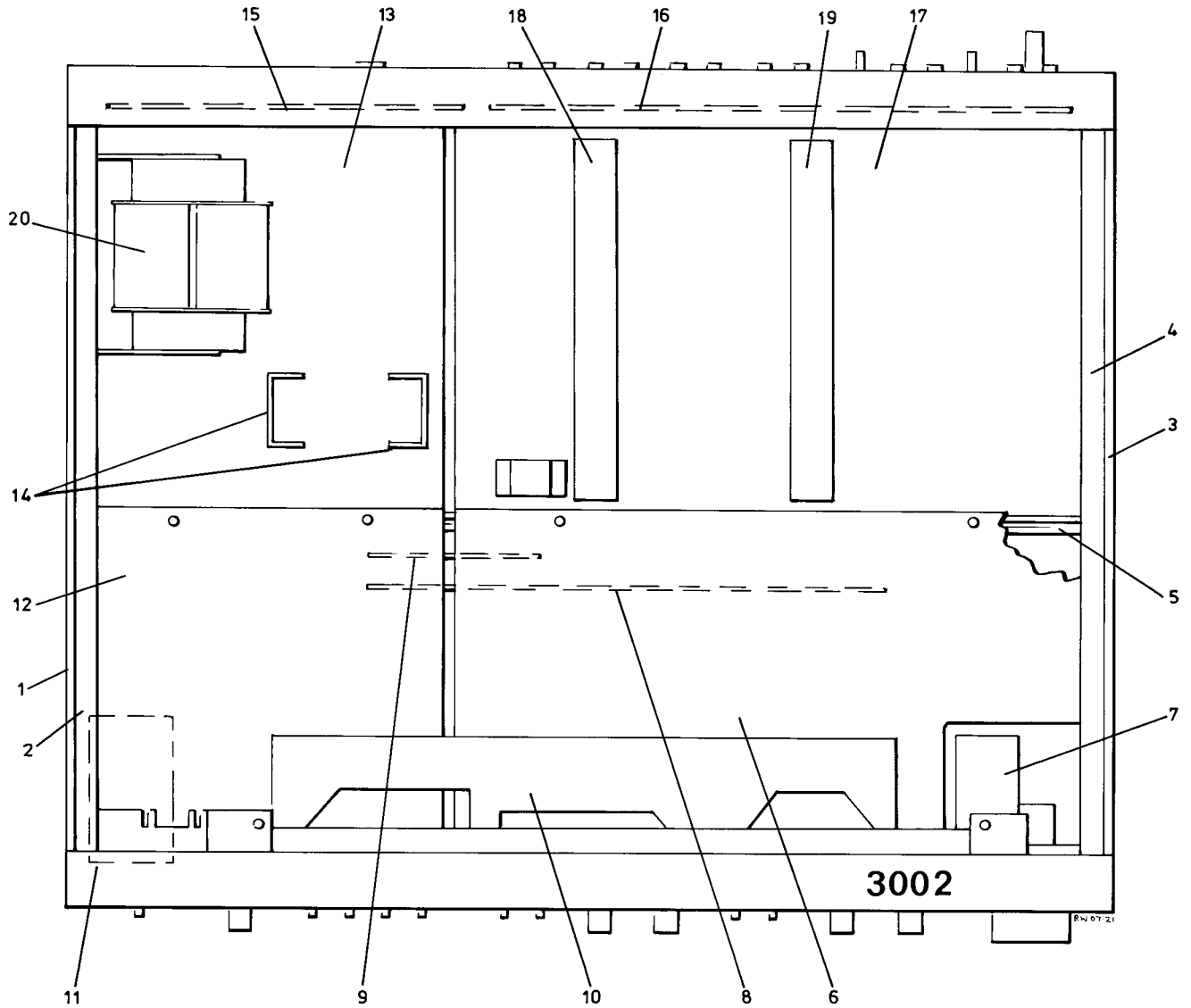


# Cabinet assembly



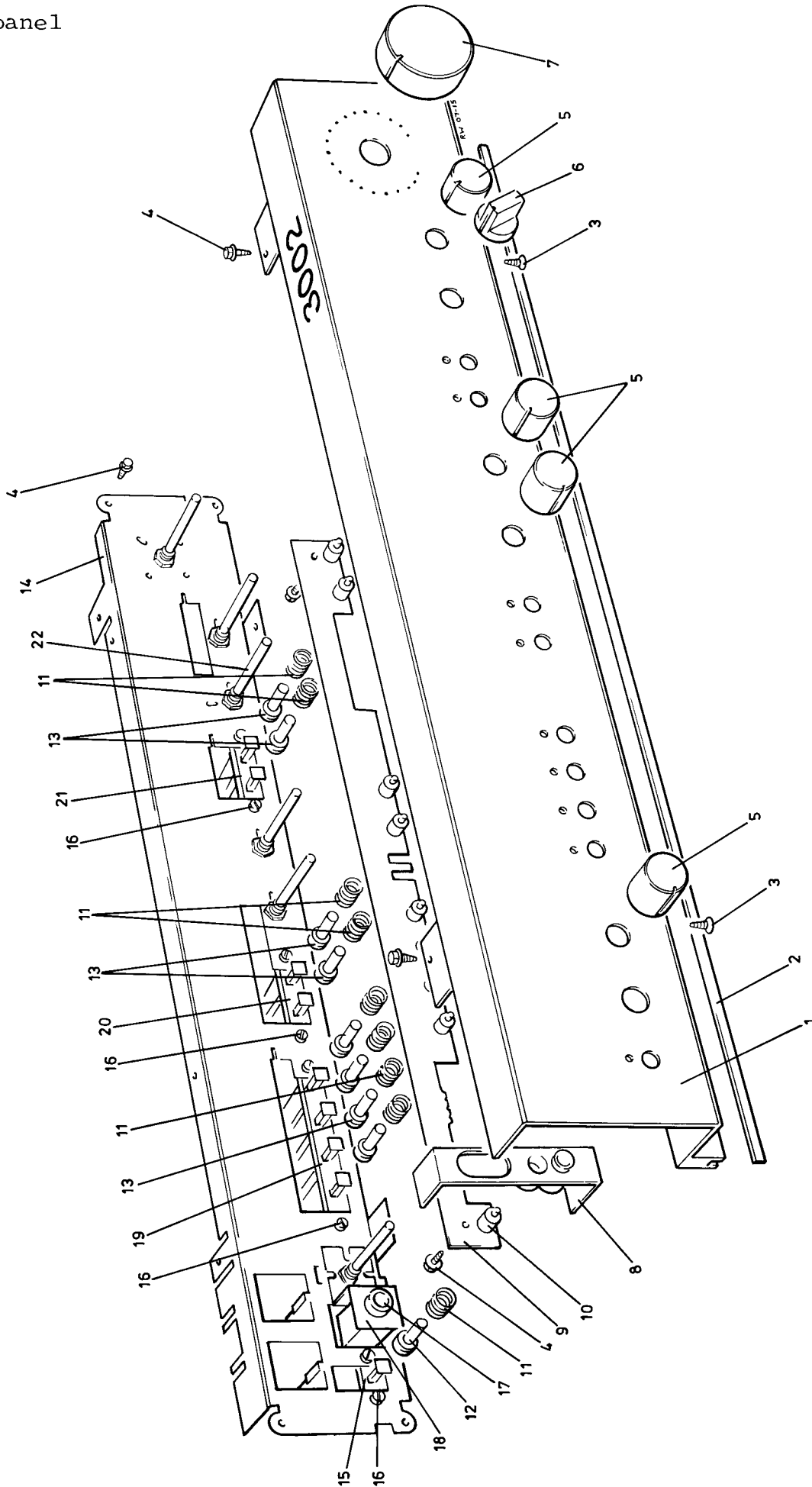
SPECIFY THIS WHEN ORDERING				
Index	Ordering No.	Beskrivelse (merknader)	Description (notes)	Reference
	*	Kabinett-enhet	Cabinet assembly	
1	377643	Skinne	Plate, front	
2	996913	Plate	Plate, top-front	
3	346854	Skrue	Screw, M3.5 x 6.3 hex hd, with collar	
4	996912	Skinne	Panel, back (see pages 6 and 7, index 1)	
5	996914	Plate	Plate, top	
6	375969	Skinne	Plate, side, left	
7	400602	Hylse	Spacer, black plastic	
8	401105	Skrue	Screw, M4 x 16 csk hd, black	
9	406816	Skinne	Plate, side, right	
10	375258	Plate	Plate, bottom	
11	408921	Plate	Extra side panels.	
12	405875	Vinkel	Panel, side Bracket, side panel	
13	409661	Skrue	Screw, 3/8" No.4 csk hd, black	
14	400480	Avstandsstykke	Spacer, black plastic	
15	402786	Skrue	Screw, M4 x 25 csk hd, black	
16	408928	Brakett	Extra 19" rack mount. Bracket, rack mount, left	
17	403533	Brakett	Bracket, rack mount, right	
18	405214	Håndtak	Handle	
19	404819	Skrue	Screw, M4 x 12 csk hd, black	

Chassis assembly - top view



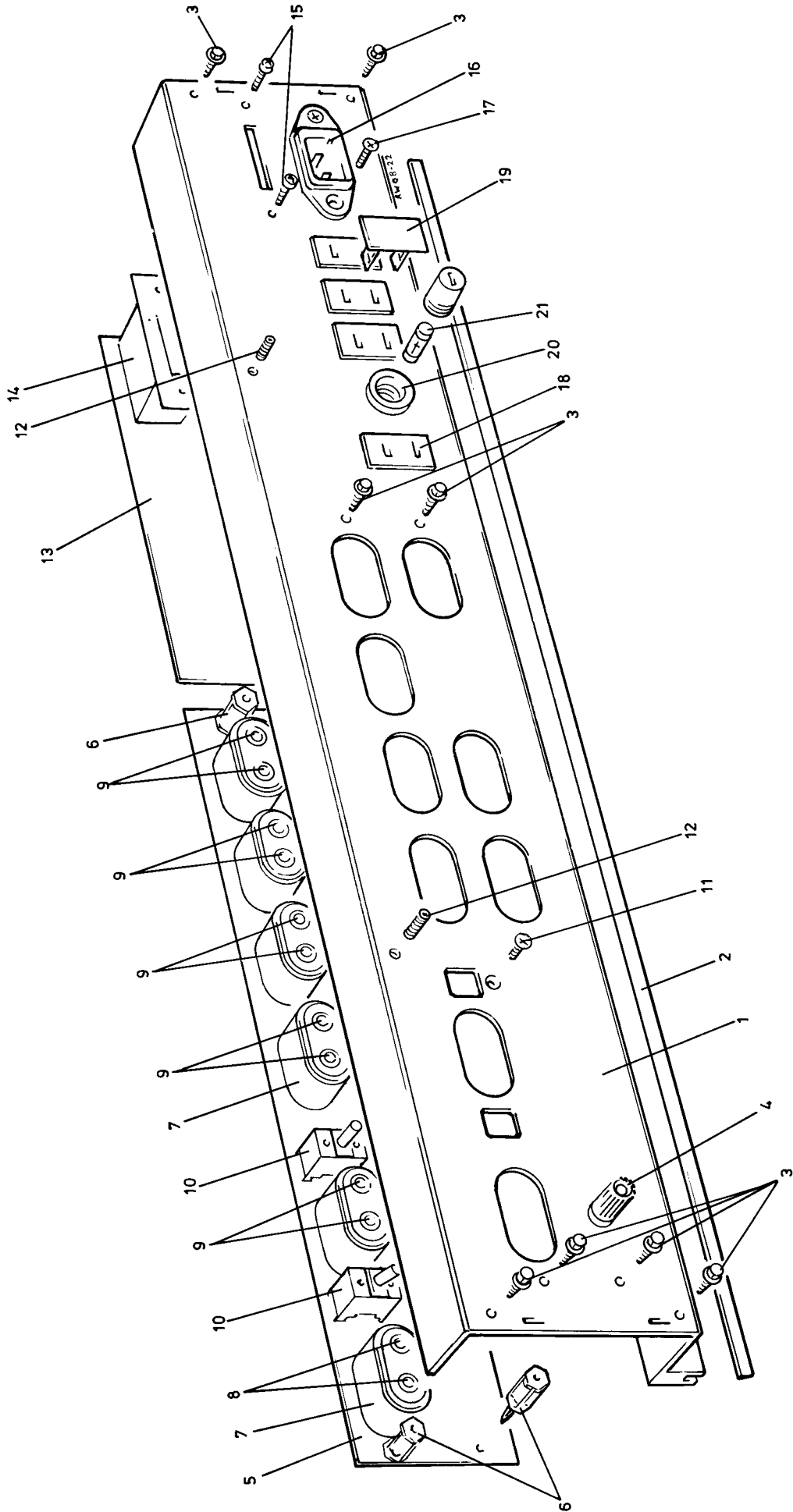
SPECIFY THIS WHEN ORDERING				
Index	Ordering No.	Beskrivelse (merknader)	Description (notes)	Reference
	*	Sjassis-enhet	Chassis assembly, top view	
1	375969	Skinne	Plate, side, left	
2	378785	Skinne	Plate, chassis, side, left	
3	406816	Skinne	Plate, side, right	
4	375071	Skinne	Plate, chassis, side, right	
5	377650	Skinne	Rail, chassis	
6	996902	Kort	Board, selector	
7	996909	Kort	Board, volume control	
8	996907	Kort	Board, interconnection 2	
9	996908	Kort	Board, interconnection 3	
10	996906	Kort	Board, interconnection 1	
11	996910	Kort	Board, power switch	
12	996900	Kort	Board, headphone amplifier	
13	996904	Kort	Board, power supply, without transformer	
14	377011	Kjøleribbe	Heatsink	
15	996911	Kort	Board, power connection	
16	996903	Kort	Board, connector	
17	996901	Kort	Board, input RIAA	
18	*	Kort	Board, interconnection 5	
19	*	Kort	Board, interconnection 4	
20	371278	Transformator	Transformer	

Front panel



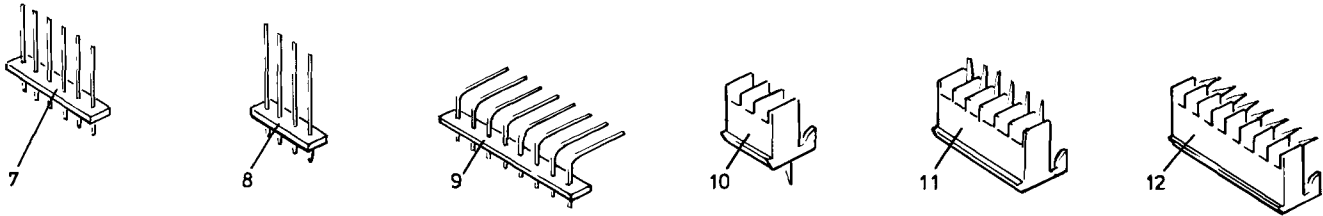
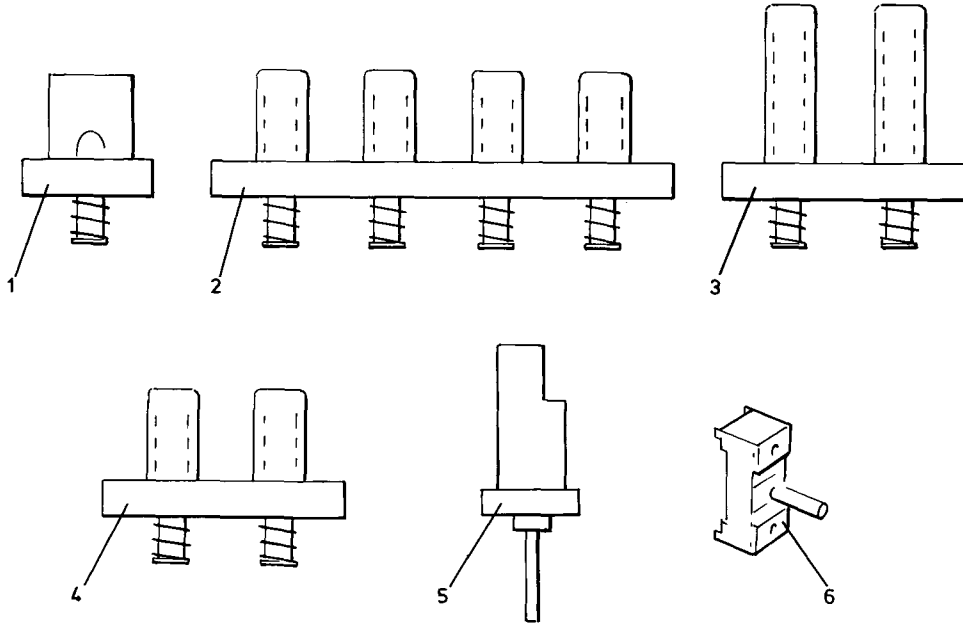
SPECIFY THIS WHEN ORDERING				
Index	Ordering No.	Beskrivelse (merknader)	Description (notes)	Reference
	*	Frontskinne	Front panel	
1	377643	Skinne	Panel, front	
2	379030B	List	Strip, rubber	
3	307990	Skruer	Screw, plate, 3/8" No.6 csk hd	
4	346854	Skruer	Screw, M3.5 x 6.3 hex hd, with collar	
5	379331	Knapp	Knob	VOLUME, BASS, TREBLE, BALANCE
6	375617	Knapp	Knob	PROGRAM SELECTOR
7	376673	Knapp	Knob	MAIN VOLUME
8	376048A	Hylse	Guide, push button knob	
9	996905	Kort	Board, LED, without diodes	
10	374425	Diode	Diode, SLP-132B, light emitting	
11	408023	Fjær	Spring	
12	376896A	Knapp	Knob, push button	POWER
13	378706A	Knapp	Knob, push button	TAPE, TAPE COPY, LOUDNESS SUB SONIC FILTER, MONO, TONE DEFEAT
14	376235	Sjassi	Plate, chassis	
15	370992	Bryter	Switch	POWER
16	212237	Skruer	Screw, M3 x 6 ch hd	
17	372823	Kontakt	Socket, jack, 3 pole, 1/4"	HEADPHONES
18	376587	Holder	Bracket, headphone socket	
19	370367	Vender	Switch, push	TAPE, TAPE COPY
20	372048	Vender	Switch, push	SUB SONIC FILTER, TONE DEFEAT
21	373729	Vender	Switch, push	MONO, LOUDNESS
22	372471	Vender	Switch, push	PROGRAM SELECTOR

Back panel



SPECIFY THIS WHEN ORDERING				
Index	Ordering No.	Beskrivelse (mærknader)	Description (notes)	Reference
1	* 996912	Bakskinne Skinne	Back panel Panel, back (supplied with index 2, 4, 12-18, 20, 21)	
2	379030B	List	Strip, rubber	
3	360735	Skrue	Screw, M3.5 x 7.9 hex hd, with collar	
4	379267	Kontakt	Terminal	
5	996901	Kort	Board, connector	
6	377528	Avstandsstykke	Spacer, TCBS-8N	
7	379001	Hylse	Surround, phono socket, double	
8	375143	Kontakt	Socket, phono, gold, 12T-7M 483	PHONO MC
9	371142	Kontakt	Socket, phono, silver, SQ-3061	TAPE PLAY, TAPE REC, AUX, TUNER, OUTPUT, PHONO MM OHM, PF
10	370790	Vender	Switch, toggle	
11	324850	Skrue	Screw, plate, 1/4" No.4 pan hd, black	
12	400753	Skrue	Screw, set, M4 x 18	
13	996911	Kort	Board, power connection	
14	374152	Vender	Switch, voltage selector	
15	322817	Skrue	Screw, plate, 5/16" No.4 pan hd, black	
16	374081	Kontakt	Socket, power, black, 6075-1	
17	262876	Skrue	Screw, plate, 1/4" No.4 csk hd, black	
18	374504	Kontakt	Socket, power, 2 pole	
19	379016	Plugg	Cover, power socket	
20	363909	Holder	Holder, fuse, No.19629/FEI 031.1431	
21	375560	Sikring	Fuse, 200 mA, 5 x 20 mm, slow	Europe
	274240	Sikring	Fuse, 400 mA, 5 x 20 mm, slow	U.S.A.

# Switches and connectors



SPECIFY THIS WHEN ORDERING				
Index	Ordering No.	Beskrivelse (merknader)	Description (notes)	Reference
	*	Vendere	Switches	
1	370992	Bryter	Switch	POWER
2	370367	Vender	Switch, push	TAPE, TAPE COPY
3	372048	Vender	Switch, push	SUB SONIC FILTER, TONE DEFEAT
4	373729	Vender	Switch, push	MONO, LOUDNESS
5	372471	Vender	Switch, rotary	PROGRAM SELECTOR
6	370790	Vender	Switch, toggle	OHM, PF
	*	Kontakter	Connectors	
7	376408	Plint	Connector, fixed, 4 pole	Molex 3192A
	379992	Plint	Connector, fixed, 6 pole	Molex 3192A
	378311	Plint	Connector, fixed, 8 pole	Molex 3192A
8	401723	Plint	Connector, fixed, 2 pole	Molex 3192B
	377959	Plint	Connector, fixed, 4 pole	Molex 3192B
	376278	Plint	Connector, fixed, 6 pole	Molex 3192B
9	376982	Plint	Connector, fixed, 8 pole, horizontal	Molex 2373 tin plated
10	377040	Kontakt	Connector, fixed, 3 pole	Molex 3215B
	376551	Kontakt	Connector, fixed, 4 pole	Molex 3215B
	314828	Kontakt	Connector, fixed, 6 pole	Molex 3215B
	307100	Kontakt	Connector, fixed, 8 pole	Molex 3215B
11	405437	Kontakt	Connector, fixed, 4 pole	Molex 3215C
	379913	Kontakt	Connector, fixed, 6 pole	Molex 3215C
	378232	Kontakt	Connector, fixed, 8 pole	Molex 3215C
12	375301	Kontakt	Connector, fixed, 8 pole	Molex 3215A

Tandberg A/S, Post Office Box 53, 2007 Kjeller, Norway