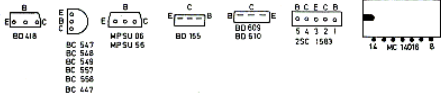


HF – SECTION NO. 44275

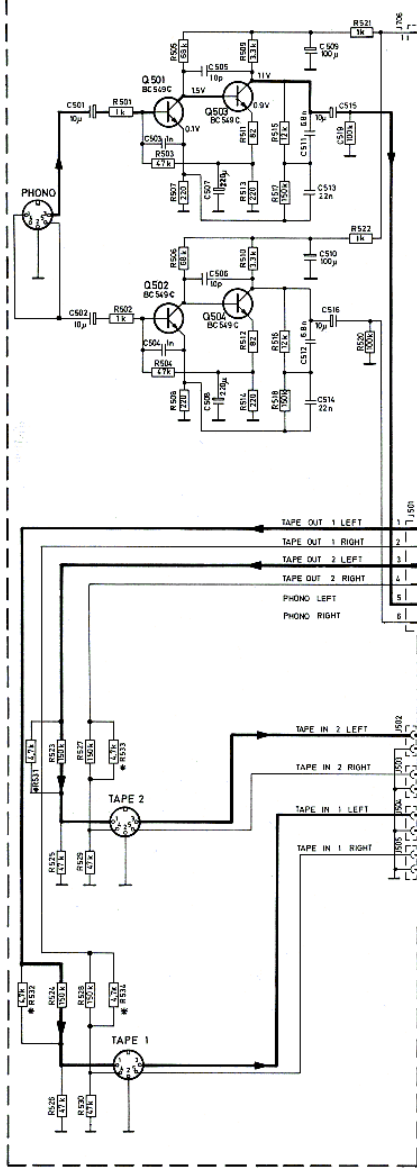


SEEN FROM UNDERNEATH

\*R531  
 \*R532  
 R533  
 R534

IN US MODELS ONLY

POWER AMP. AND INPUT CIRCUIT BOARD



PREAMP. BOARD

