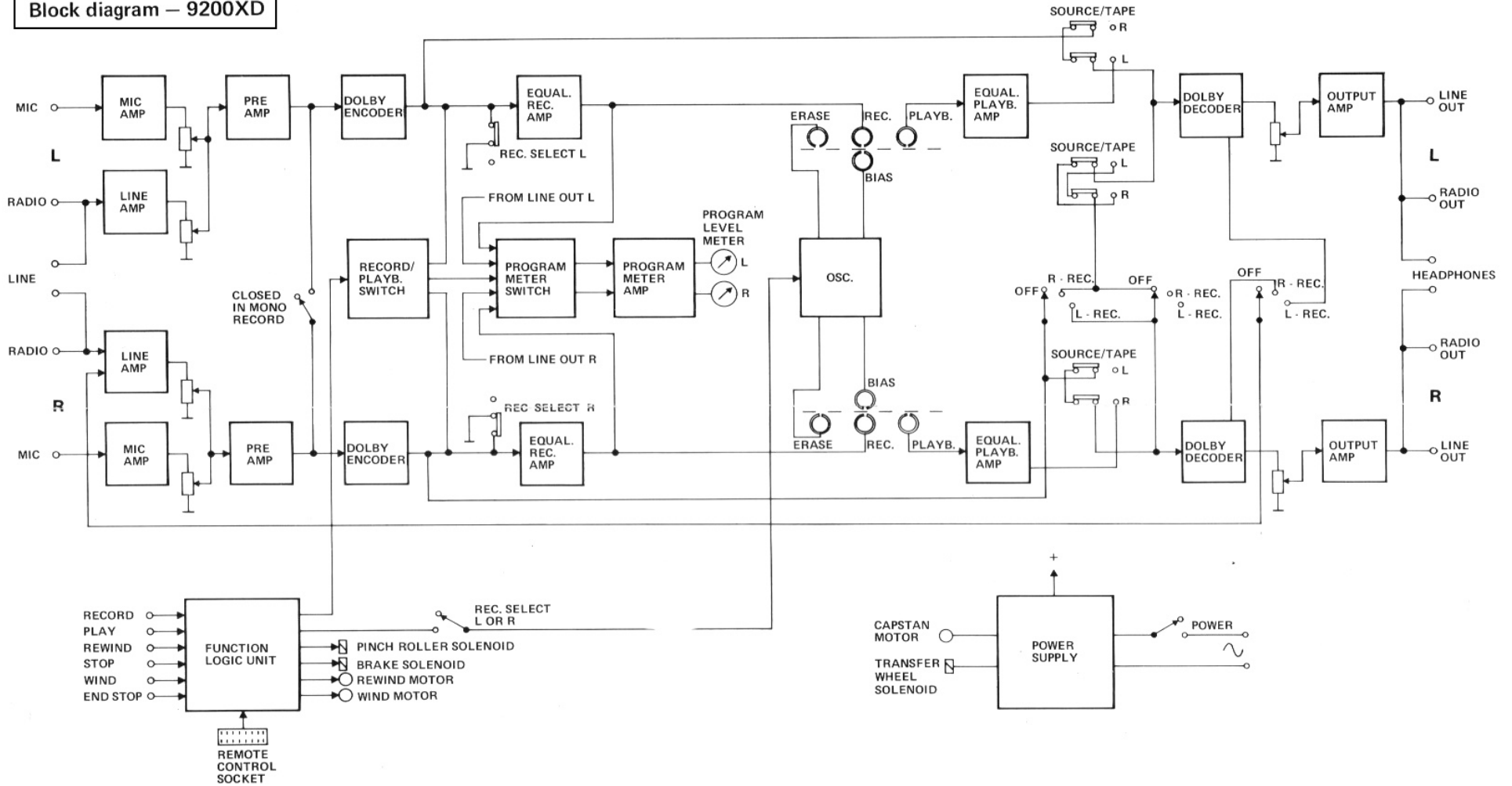
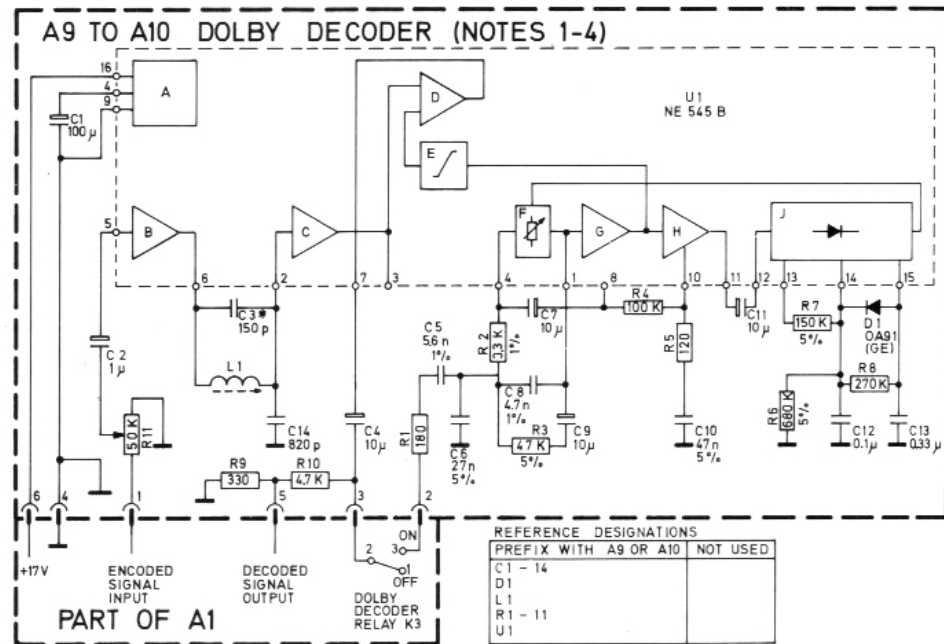
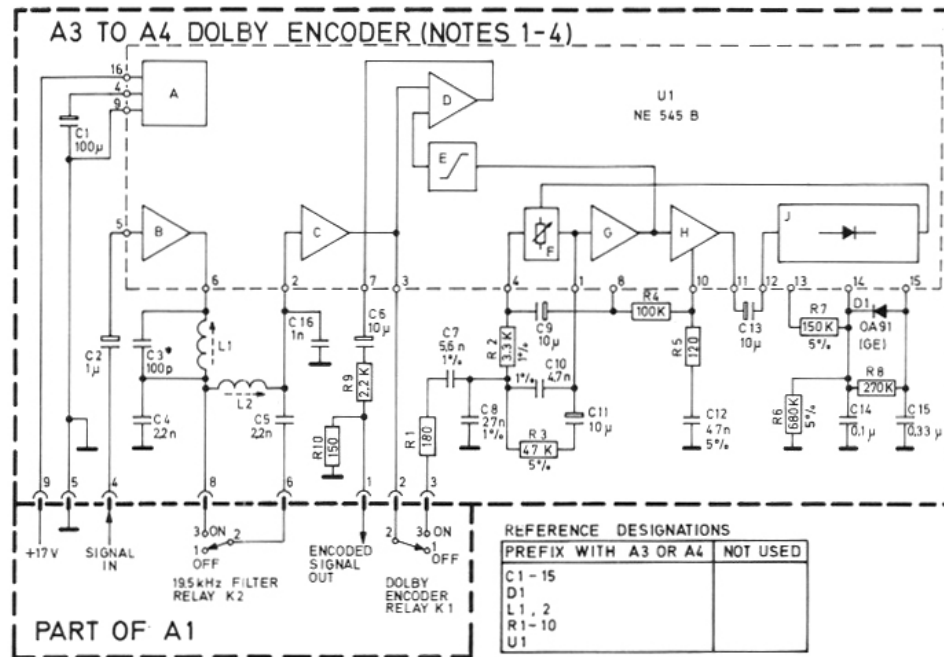
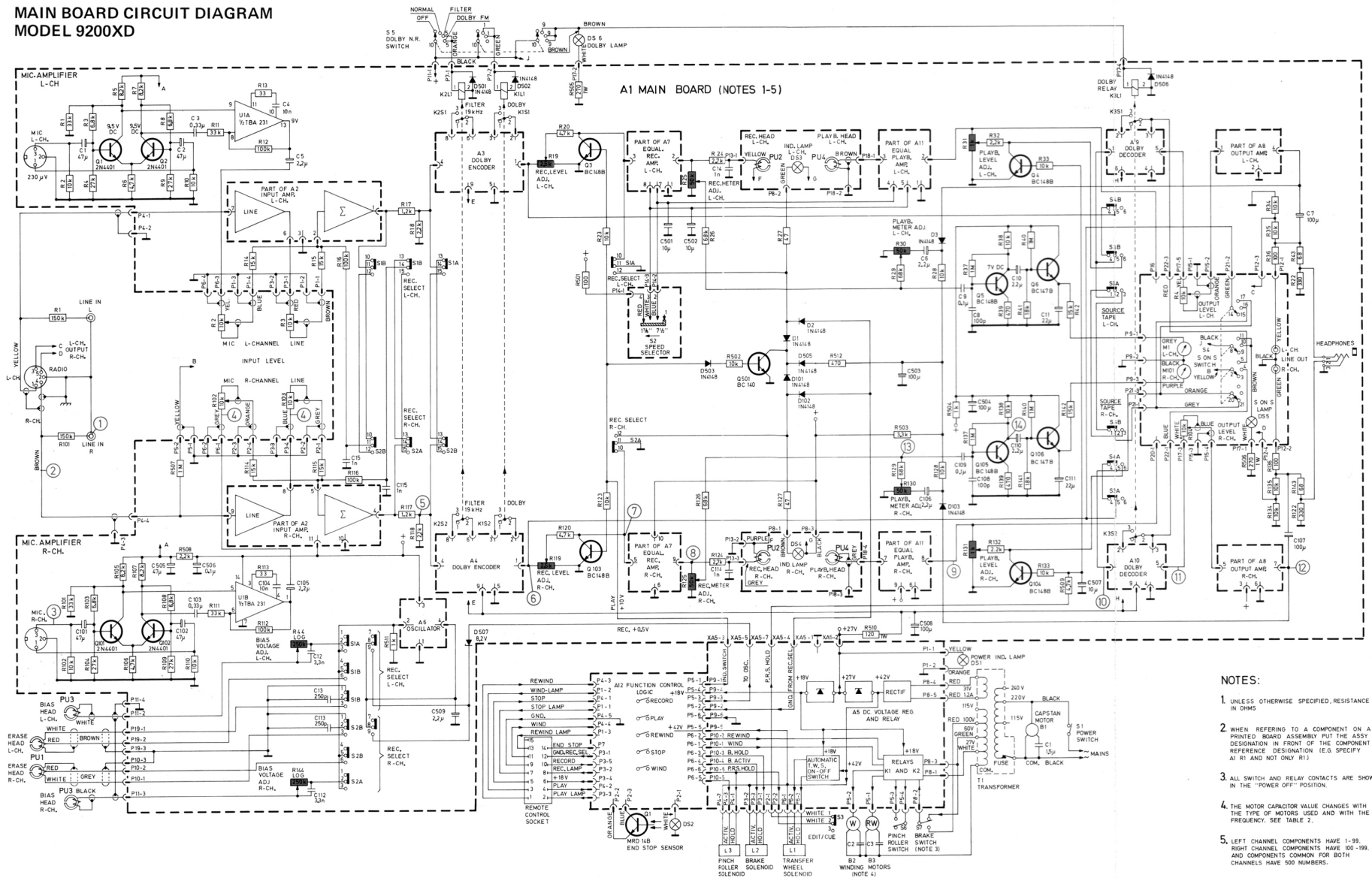


Block diagram – 9200XD





MAIN BOARD CIRCUIT DIAGRAM MODEL 9200XD



- NOTES:**
- UNLESS OTHERWISE SPECIFIED, RESISTANCE IN OHMS
 - WHEN REFERRING TO A COMPONENT ON A PRINTED BOARD ASSEMBLY PUT THE ASSY DESIGNATION IN FRONT OF THE COMPONENT REFERENCE DESIGNATION (E.G. SPECIFY AT R1 AND NOT RESISTOR R1)
 - ALL SWITCH AND RELAY CONTACTS ARE SHOWN IN THE "POWER OFF" POSITION.
 - THE MOTOR CAPACITOR VALUE CHANGES WITH THE TYPE OF MOTORS USED AND WITH THE FREQUENCY. SEE TABLE 2.
 - LEFT CHANNEL COMPONENTS HAVE 1-99, RIGHT CHANNEL COMPONENTS HAVE 100-999, AND COMPONENTS COMMON FOR BOTH CHANNELS HAVE 500 NUMBERS.

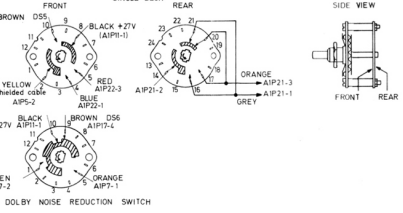
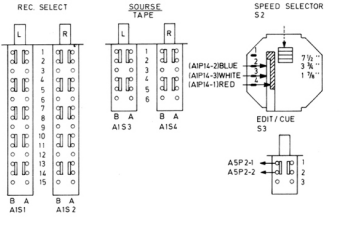
ALL THE SWITCHES ARE FROM SOLDER SIDE (NOTE 2 AND 3)

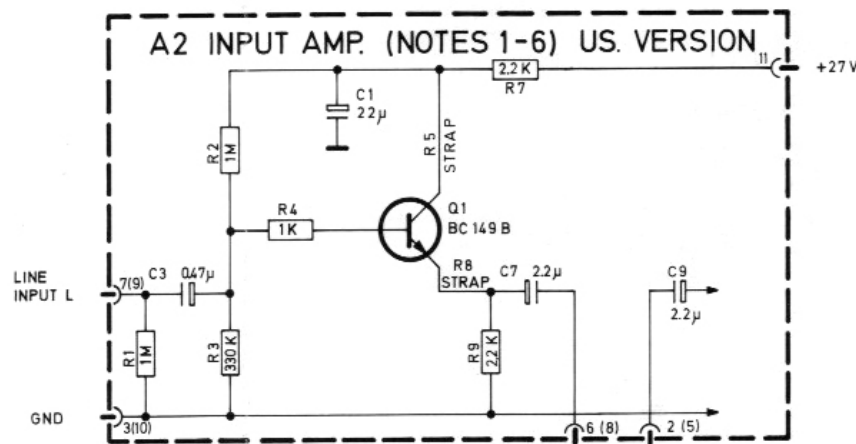
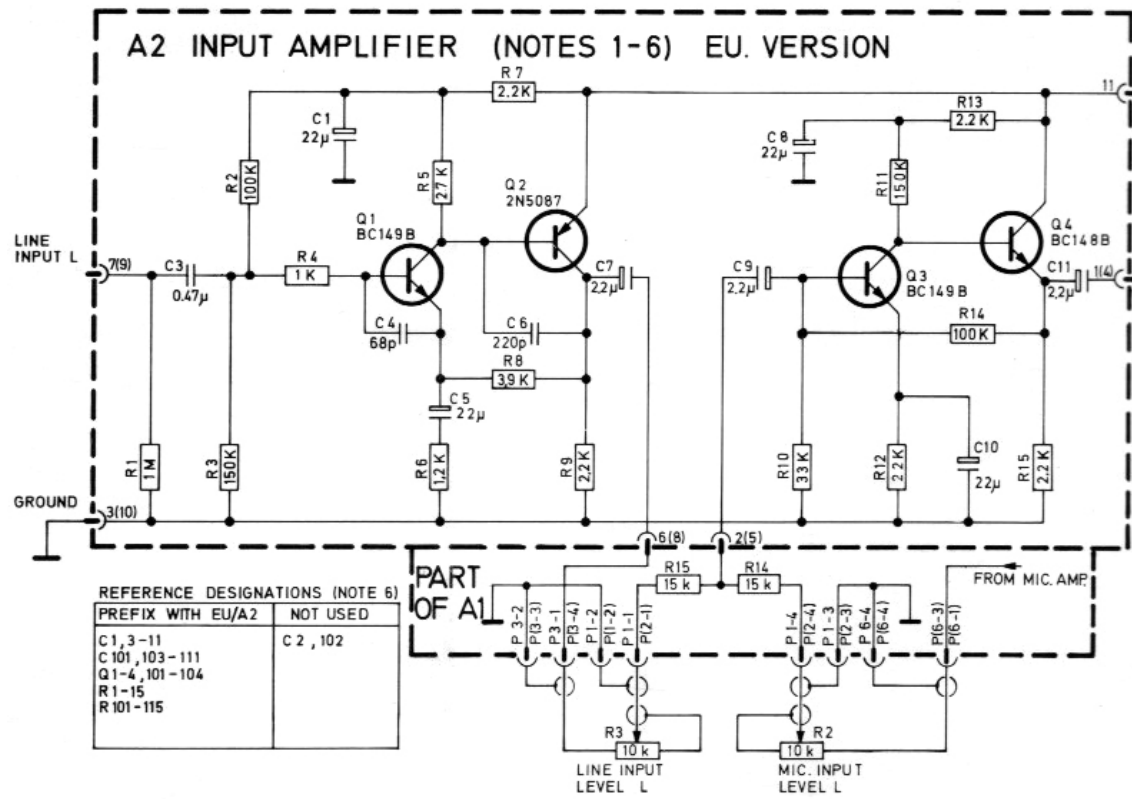
REFERENCE DESIGNATIONS

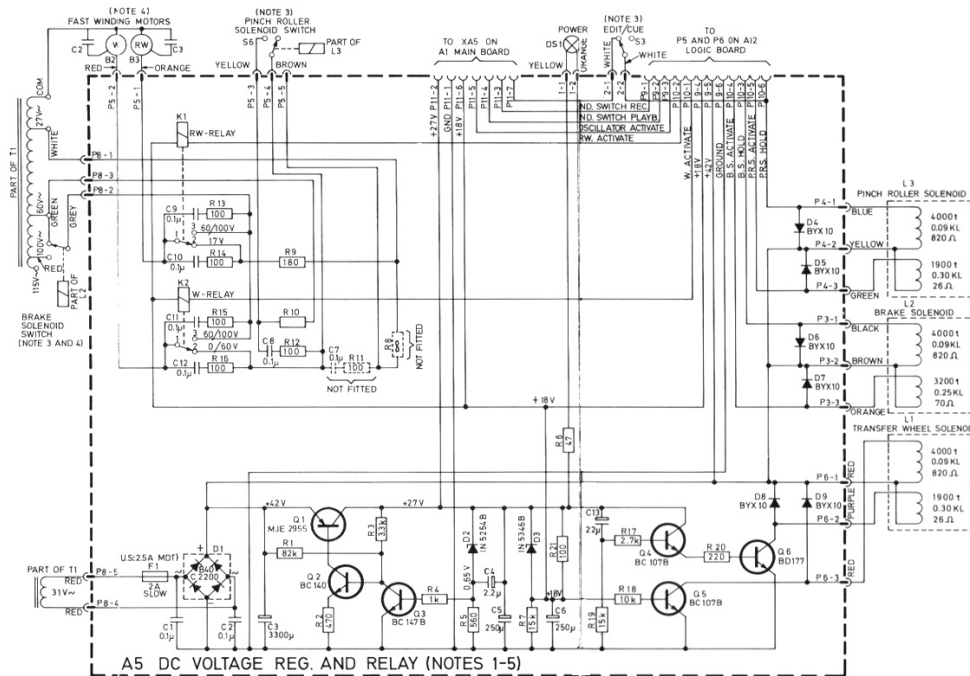
NO.	PREFIX	DESIGNATION	NOT USED AT A1
01	AV	100-1000	D504
02	AV	101-1000	D504
03	AV	102-1000	D504
04	AV	103-1000	D504
05	AV	104-1000	D504
06	AV	105-1000	D504
07	AV	106-1000	D504
08	AV	107-1000	D504
09	AV	108-1000	D504
10	AV	109-1000	D504
11	AV	110-1000	D504
12	AV	111-1000	D504
13	AV	112-1000	D504
14	AV	113-1000	D504
15	AV	114-1000	D504
16	AV	115-1000	D504

COMPONENTS CHANGED

REF. DESIGN.	FROM	TO	DATE	E.C.O. NO.	SERIAL NO.
RV101	150K	5K			ON 15 VER. 10N 15S VER. 10N
C1		100µF			ON 15S VER. 10N







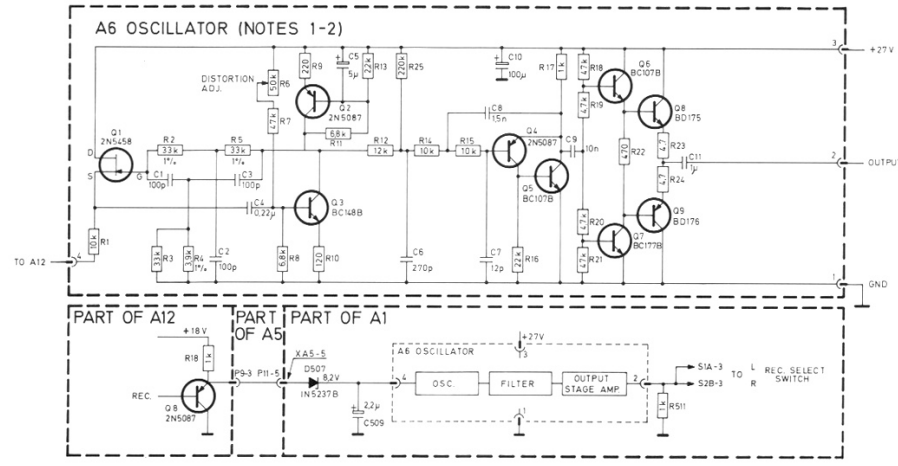
A5 DC VOLTAGE REG. AND RELAY (NOTES 1-5)

REFERENCE DESIGNATIONS (NOTE 3)

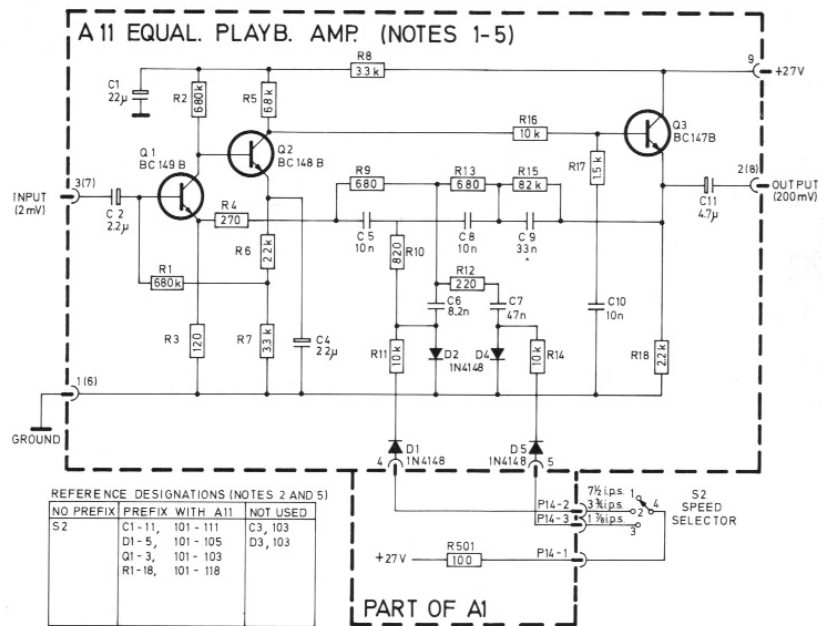
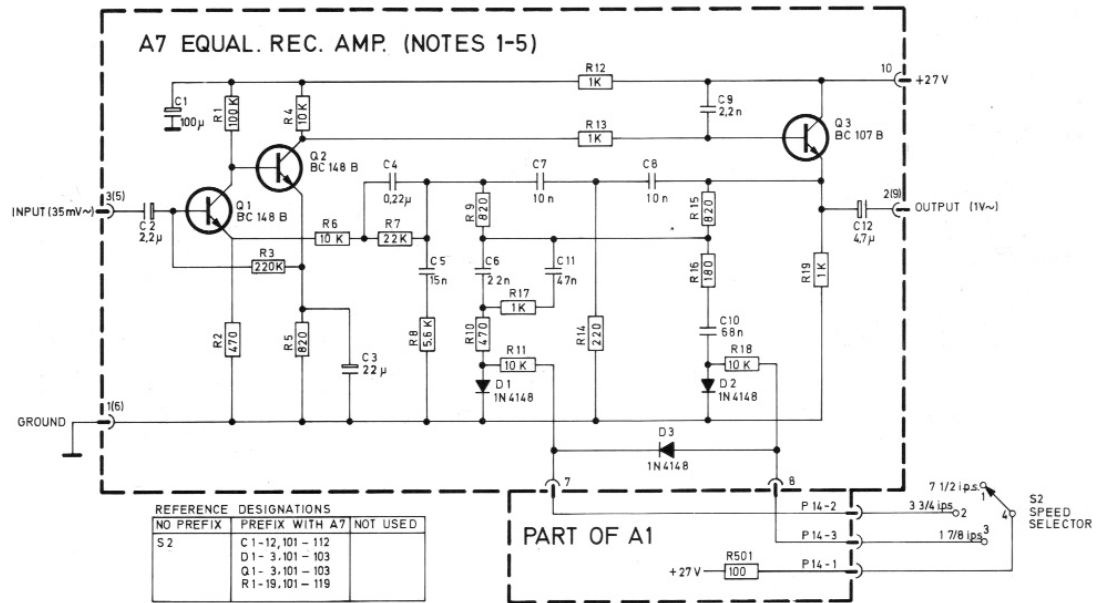
NO. PREFIX	PREFIX WITH A5	NOT USED
B2,3	C1-13	C7
C2,3	D1-9	R8,11
DS1	F1	
L1-3	K1,2	
S3,6,7	P1-11	
T1	Q1-6	
	R1-21	

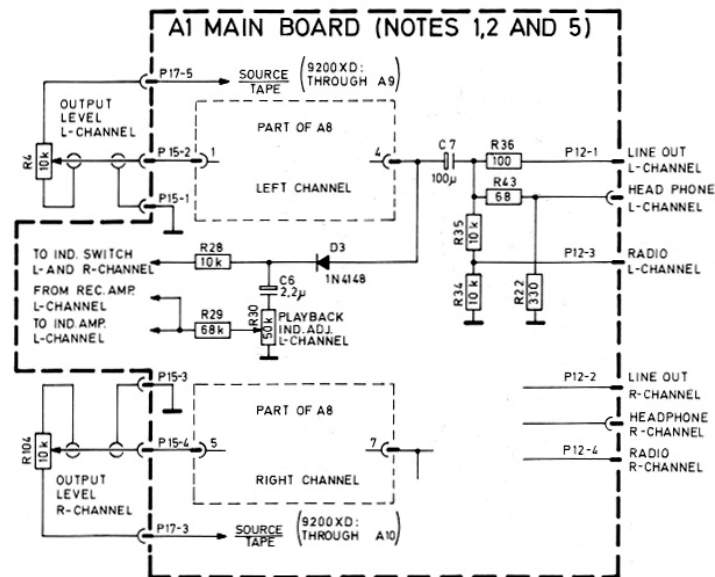
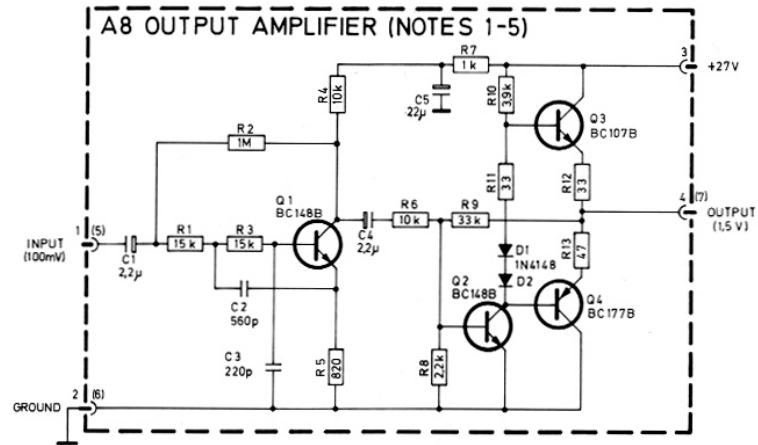
FILTER AND VOLTAGE REQUIREMENTS FOR DIFFERENT WINDING MOTORS

WRW MOTOR	C2/C3		WINDING VOLTAGE V _W	R10
	50 Hz	60 Hz		
RD 1465	2.8	0.7 μF	2.8 μF	11
HT 149	2.3	0.9 μF	2.3 μF	10
LD 942 R1	4.0	μF	4.0 μF	10



A6 OSCILLATOR (NOTES 1-2)





REFERENCE DESIGNATIONS (NOTES 2 AND 5)

NO PREFIX	PREFIX WITH A8	PREFIX WITH A1	NOT USED
R4, 104	C1-5, 101-105 D1-2, 101-102 Q1-4, 101-104 R1-13, 101-113	C6, 7, 106, 107 D3, 103 P12, 15, 17 R22, 28-30, 34-36 43, 122, 128-130 134-136, 143	